

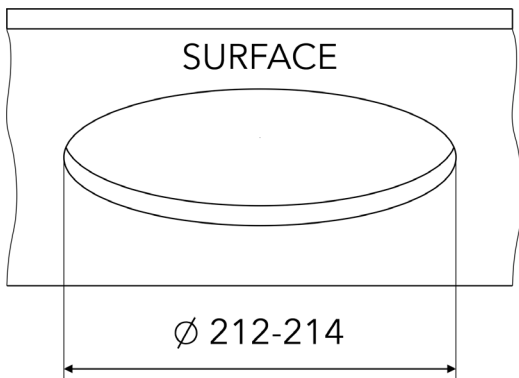
QR code for Installations Instructions



The unit must be installed by a qualified electrician in accordance with all national and local electrical and construction codes and regulations.

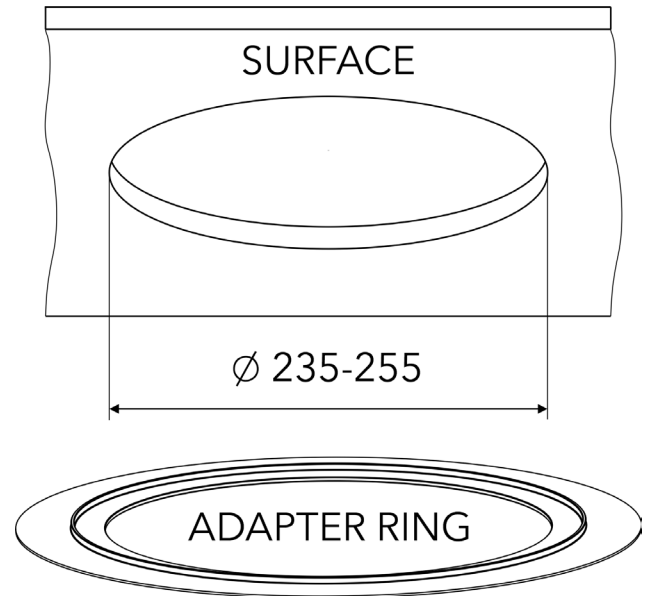


**STEP 1.A
 CEILING OPENING - STANDARD MOUNTING HOLE**



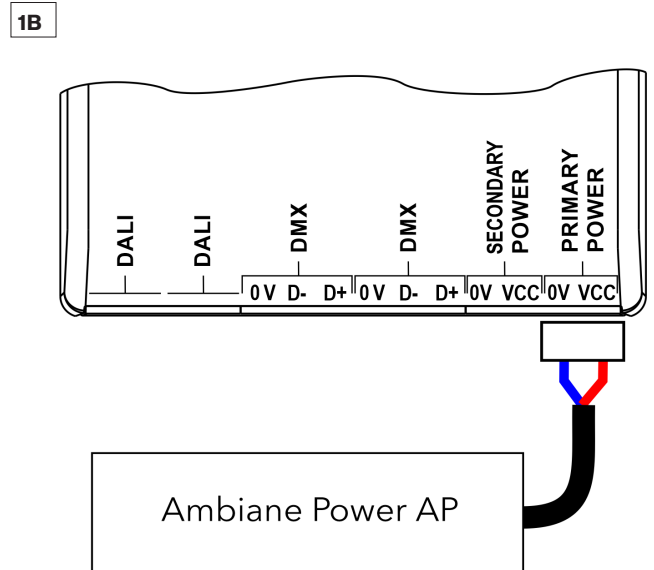
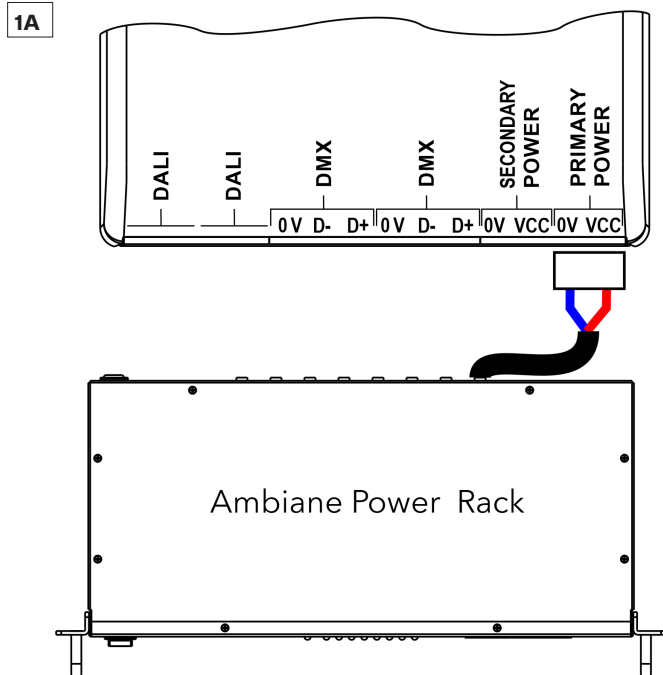
Prepare mounting hole with diameter between 212-214 mm.

**STEP 1.B
 CEILING OPENING - WITH ADAPTER RING**



Use of the Adapter ring is recommended in case of a bigger ceiling opening. See step 6.B before connecting power and data cables.

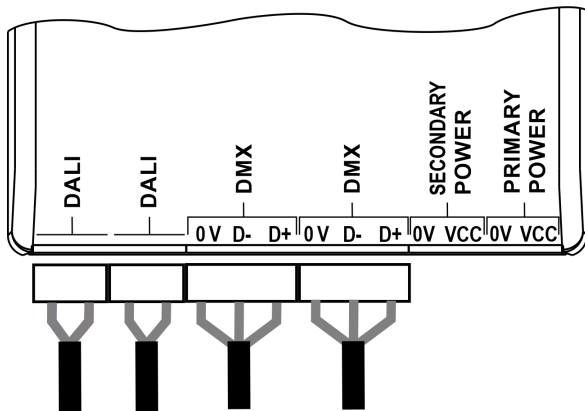
**STEP 2
 PRIMARY POWER CONNECTION**



Install terminal block on power cable (from Ambient Power Rack or Ambient Power AP) and connect it to the Primary power connection of Ambient AP's control unit.

STEP 3 DATA CONNECTION (DMX OR DALI)

1

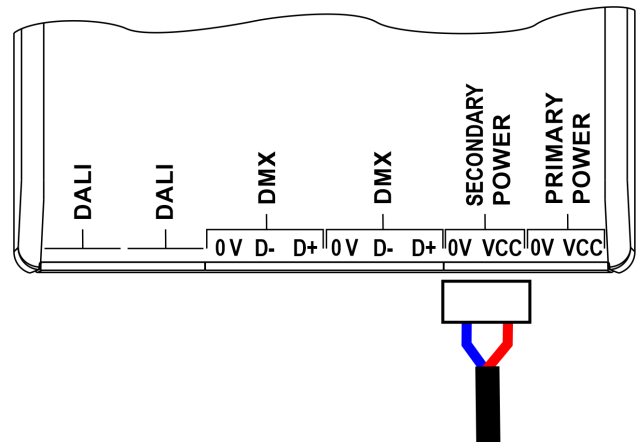


Install terminal blocks on DMX or DALI cables and connect them to the control unit.

DMX CONNECTION

0V	D-	D+
Data Ground	Data -	Data +

STEP 4 SECONDARY POWER CONNECTION 48V

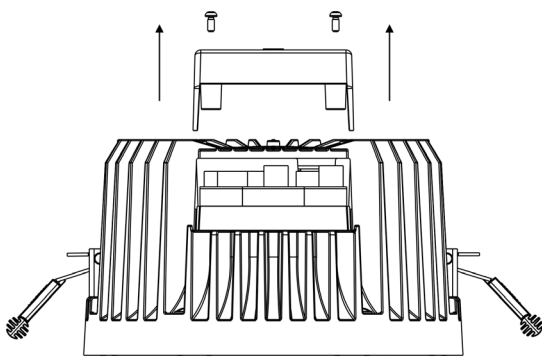


Install terminal block on power cable for secondary power and connect it to the Secondary power connection of Ambiane AP's control unit.

STEP 5 DIP SWITCH

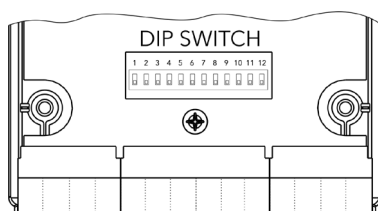
1

2X 3,5x8



Unscrew 2 screws on the control unit and remove plastic co-

2

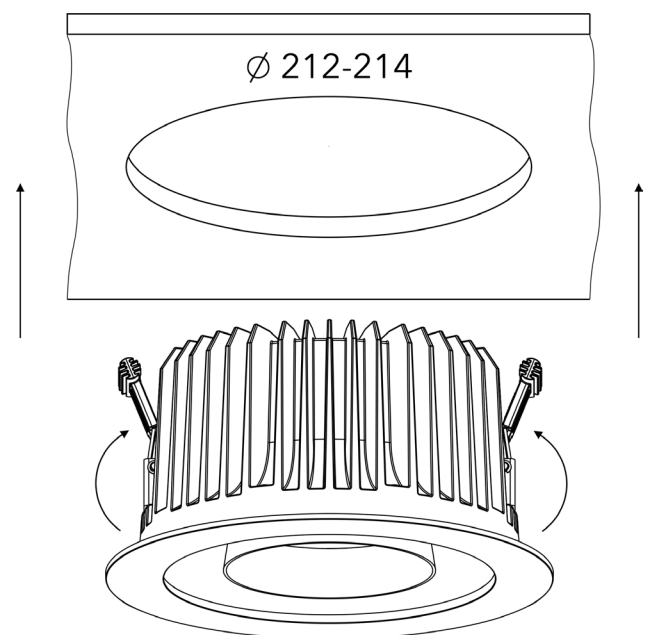


Set the DIP switches to positions according to your operation mode. The fixture can be controlled by DMX or DALI (switch 11 in OFF position).

STEP 6.A LUMINAIRE INSTALLATION

1

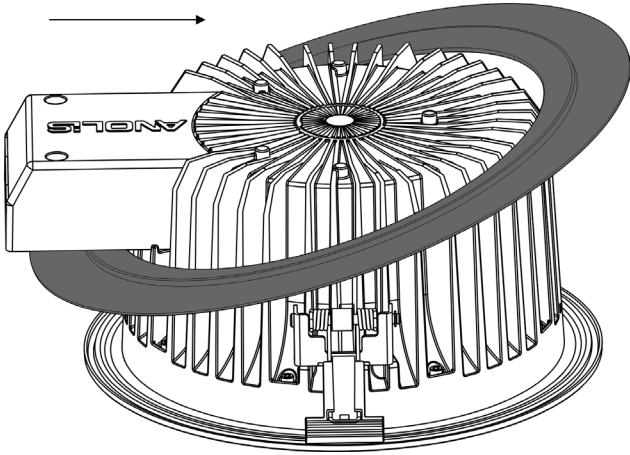
Make sure power and data cables are connected



Lift up spring clips on both sides, insert luminaire into ceiling opening and release spring clips to hold luminaire in place.

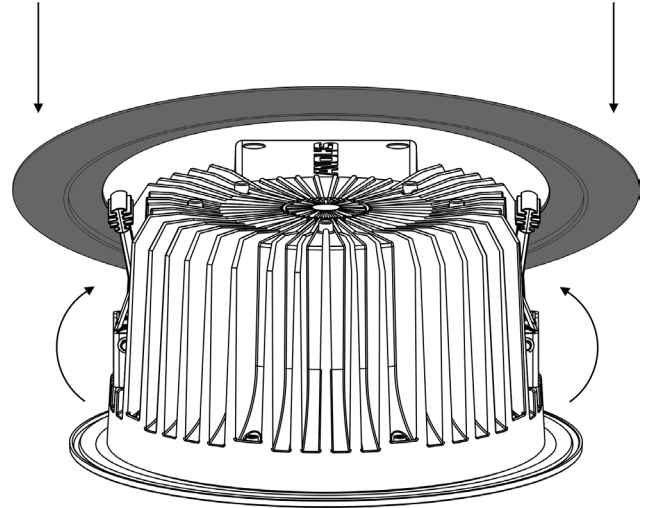
STEP 6.B
LUMINAIRE INSTALLATION WITH ADAPTER RING

1



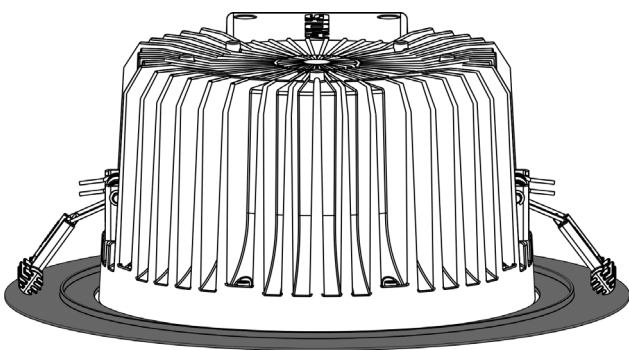
Slide Adapter ring under the control unit and above both spring clips.

2



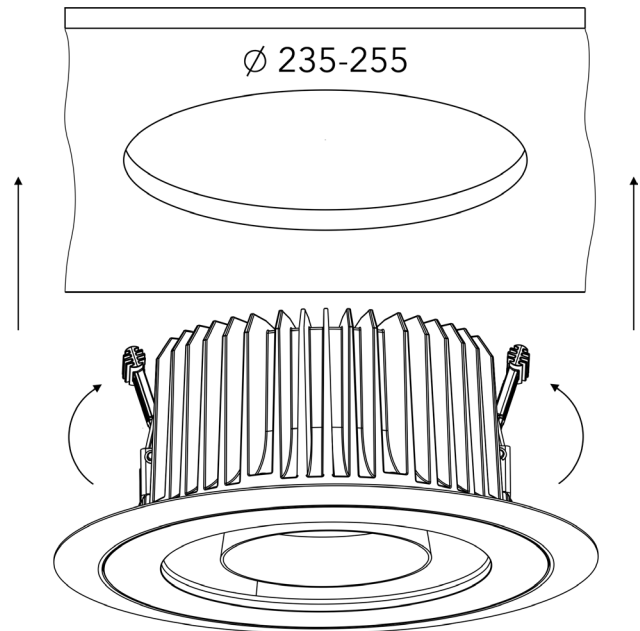
Lift up both springs and slide Adapter ring under them.

3



Adapter ring installed on the luminaire.

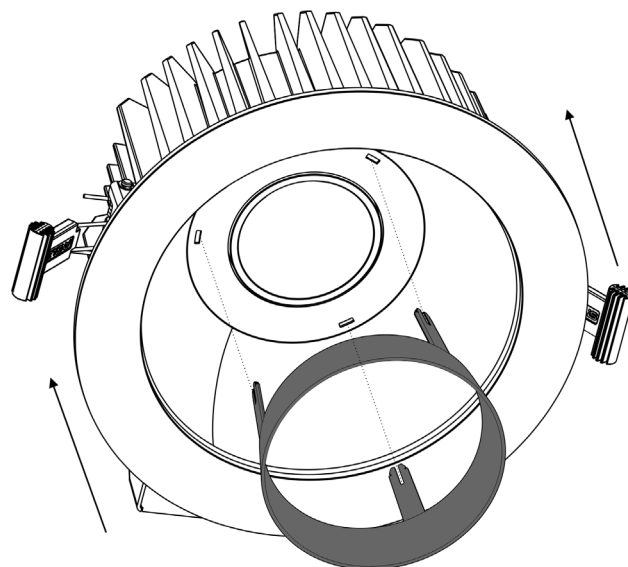
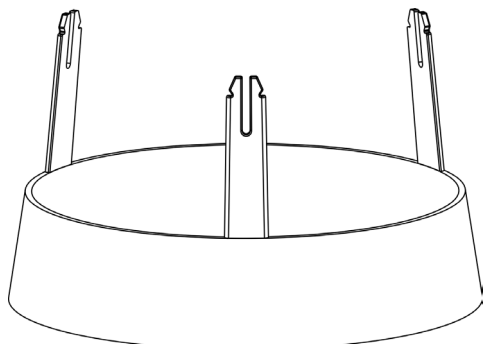
4



Lift up springs on both sides, insert luminaire into ceiling opening and release springs to hold luminaire in place.

STEP 7
INSTALLTION OF ACCESSORIES - ANTI-GLAR

1



Insert the Anti-Glare ring into the Ambiane AP's reflector until three locks snap into slots.

Click on Anti-Glare ring.