

CALUMMA™ S MC

Featuring an optical design using three high efficacy multi-chip LEDs and available with optional LED colour variants and various beam angles, the small-sized Calumma S MC luminaire creates powerful and beautiful light output for a spot, accent or flood lighting solution. Its durable housing is built to withstand any exterior conditions, and its special finish for harsh and marine environments provides an exceptional outdoor LED luminaire in an elegant design. Complemented by a wide range of accessories, control protocols and connection options, this luminaire is an effective and versatile tool to get the most out of architectural lighting applications.



KEY FEATURES

Lumen output & Light source

Luminaire with three high-power, multi-chip LEDs provides up to 993 lumen output. Multiple LED colour variants. No light spills. Perfectly homogenised light output with efficacy up to 33 lm/w.

Design & Durability

Compact, durable and stylish housing made of high-pressure die cast aluminium. IP67 and IK10 certification; suitable for marine and traffic applications. Supported with a 5 year warranty.

Flexibility

Exceptional outdoor or indoor LED luminaire with a wide range of accessories, custom colour finishes, multiple light output variants and beam angles.

Connectivity

Calumma S MC can be connected via an E-Box for almost effortless installation. DMX512+RDM and wide range of Ethernet protocols are available for E-Box control. DMX/RDM or DALI 2 interface protocols facilitate standard connection options.

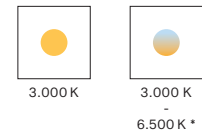
COLOURS

* UPON REQUEST



COLOUR TEMPERATURE

* UPON REQUEST

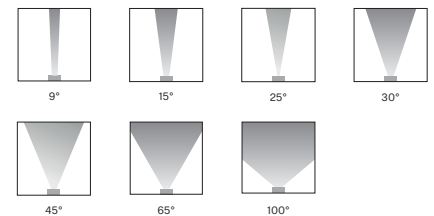


CONTROL & PROTOCOLS

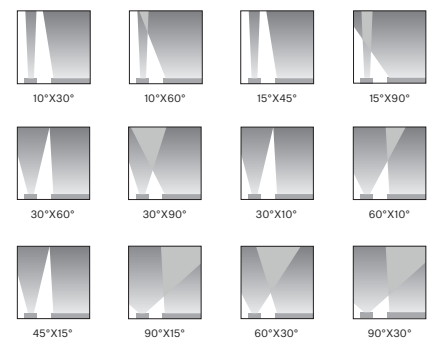


OPTIC OPTIONS

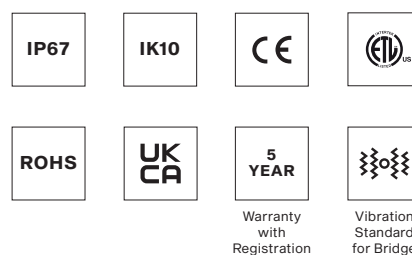
SYMMETRICAL



BI-SYMMETRICAL



STANDARD & SPECIFICATION



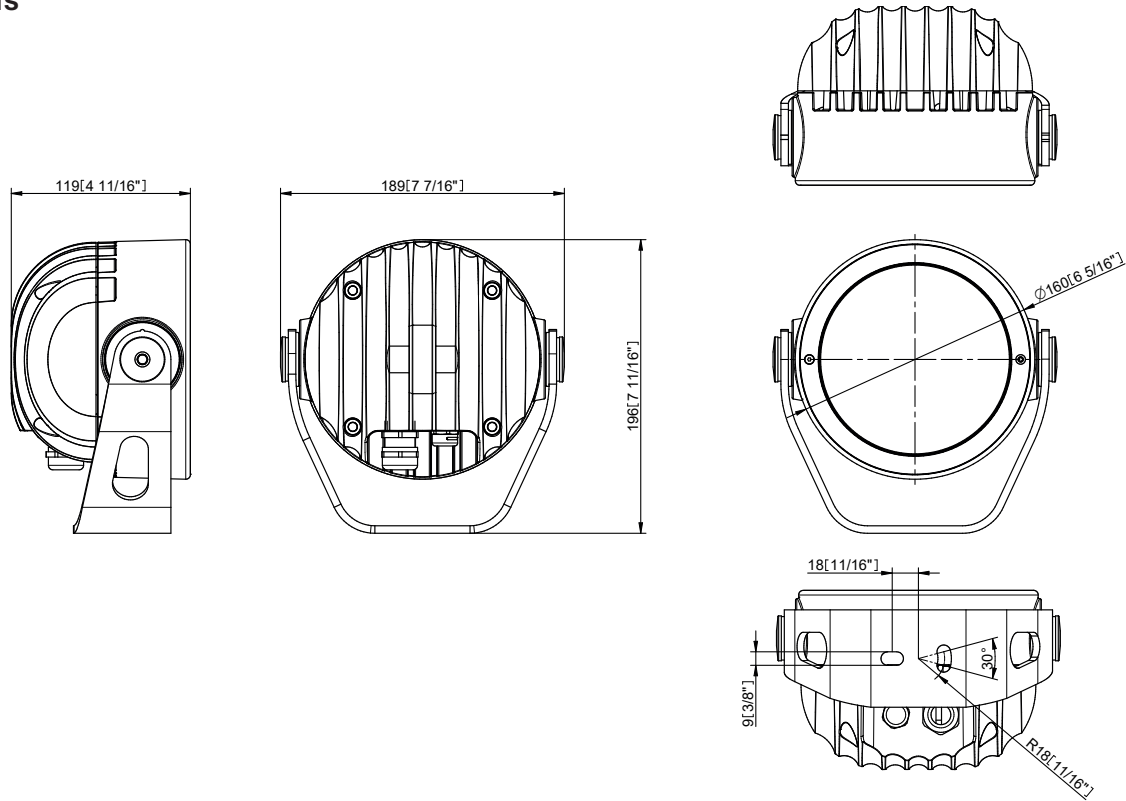
FINISH OPTIONS



CALUMMA S MC SPECIFICATION

ELECTRICAL	Input Voltage	120 - 277 V AC 50/60 Hz (US)
	Typical Power Consumption	30 W +/-10 %
OPTICAL	Light Source	High Power Multichip LEDs
	Colour Variants	RGBW (W - 6500 K) RGBA PW (W - 3000 K)
		Other Variants On Request (TW 3000 - 6500 K)
	Beam Angle	9° 15° 25° 30° 45° 65° 100°
		10°x30° 30°x10° 10°x60° 60°x10° 15°x45° 45°x15° 15°x90° 90°x15° 30°x60° 60°x30° 30°x90° 90°x30°
		Lumen Output Delivered
Projected Lumen Maintenance	L90B10 >90.000 hrs, Ta = 25°C / 77°F	
CONTROL	Interface Protocol	DMX/RDM, DALI 2
	DALI 2 Device Type	DT 8
	Control System	Third Party DMX Controllers
	Operating Modes	DMX, Stand-alone
	Settings / Addressing	E-Box, RDM communicator
	Power Supply	Integrated
PHYSICAL	Width x Height x Depth	189 x 196 x 119 mm (7.4 x 7.7 x 4.7 in.)
	Weight	3.44 kg 7.6 lbs
	Housing	High Pressure Die-Cast Aluminium Body
		Tempered Glass
	Finish Options	Standard Colour - Graphite Black (RAL 9011) Silver (RAL 9006)
		Cost Option - Custom RAL Harsh Environment (RAL 9016, RAL 9011)
	Cables / Connections	IN (for DMX, DALI): - 1 m cable with bare end - Other cable length - custom - Junction box - optional
	Mounting Method	Yoke
Adjustability	+180° / -180°	
Protection Factor	IP67 / Suitable For Wet Locations	
IK Rating	IK10	
Cooling System	Convection	
Operating Ambient Temperature	-20 °C / +40 °C (-4 °F / +104 °F)	
CERTIFICATION	Listings	ETL / cETL, CE, RoHS, UKCA
ACCESSORIES		Junction Box for Calumma
		Optical Demo Set for Calumma S
		Top Hat Calumma S
		Half Top Hat Calumma S
		Tenon Adaptor for Calumma S
		Floor Stand for Calumma S, M
		Pole Adaptor (ø 102mm)

DIMENSIONS

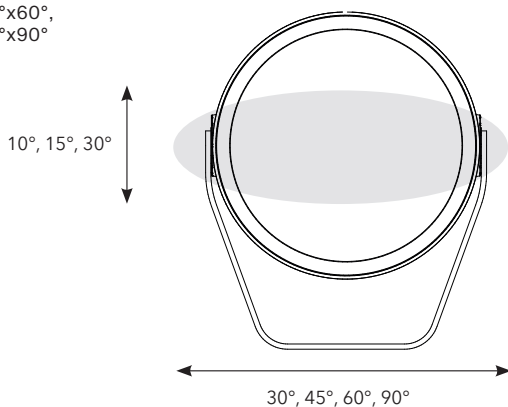


PROJECTED AREA

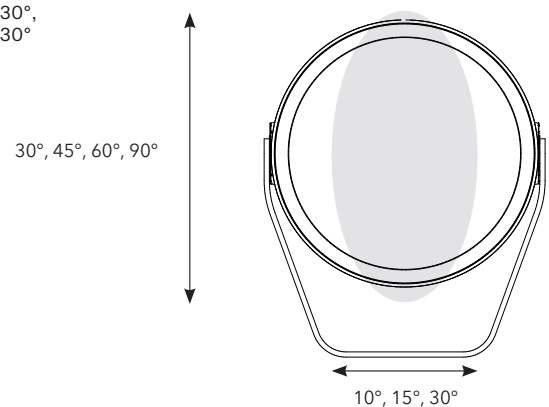
	Front (rear) - m ²	Front (rear) ft ²	Side - m ²	Side - ft ²	Top - m ²	Top - ft ²
Calumma S	0,023	0,250	0,019	0,207	0,018	0,196
with Top Hat	0,023	0,250	0,027	0,290	0,027	0,290
with Half Top Hat	0,023	0,250	0,022	0,232	0,027	0,290

BI-SYMMETRICAL BEAM ANGLES

Bi-symmetrical:
10°x30°,
10°x60°,
15°x45°,
15°x90°,
30°x60°,
30°x90°



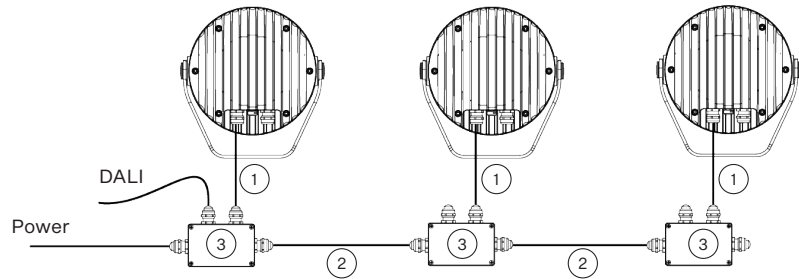
Bi-symmetrical:
30°x10°,
60°x10°,
45°x15°,
90°x15°,
60°x30°,
90°x30°



CONTROL AND CONNECTION OPTIONS - CE

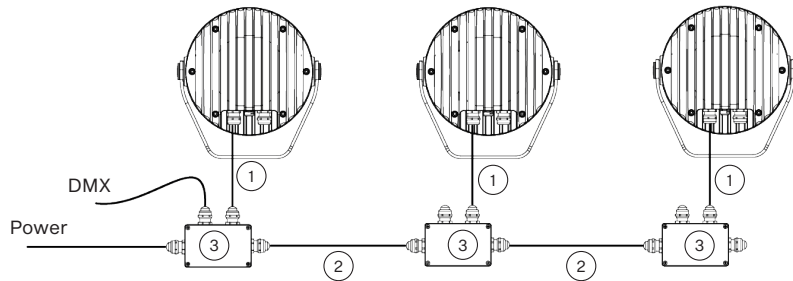
DALI

- 1) SJTW 5x 14AWG (13053336)
Standard 1 m with bare-end
- 2) SJTW 5x 14AWG (13053336)
or Scope of Others
- 3) Junction Box for Calumma



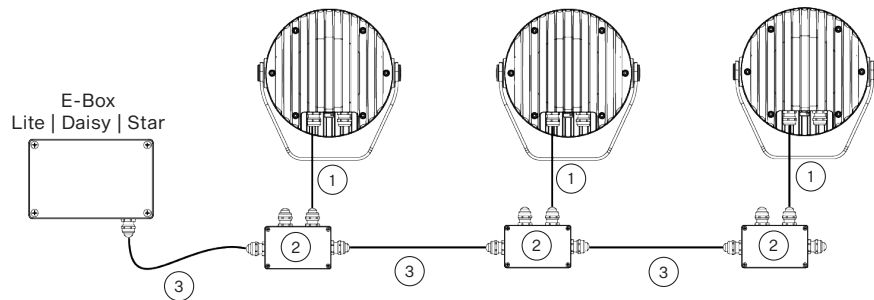
DMX

- 1) Flamar 3x AWG 16 + 1 x (2x AWG 24)
Standard 1 m with bare-end
(13051508)
- 2) Flamar 3x AWG 16 + 1 x (2x AWG 24)
(13051508)
or Scope of Others
- 3) Junction Box for Calumma



DMX or ETHERNET via E-BOX

- 1) Flamar 3x AWG 16 + 1 x (2x AWG 24)
(13051508), Standard 1 m with bare-end
- 2) Junction Box for Calumma
- 3) Flamar 3x AWG 16 + 1 x (2x AWG 24)
(13051508)
or Scope of Others



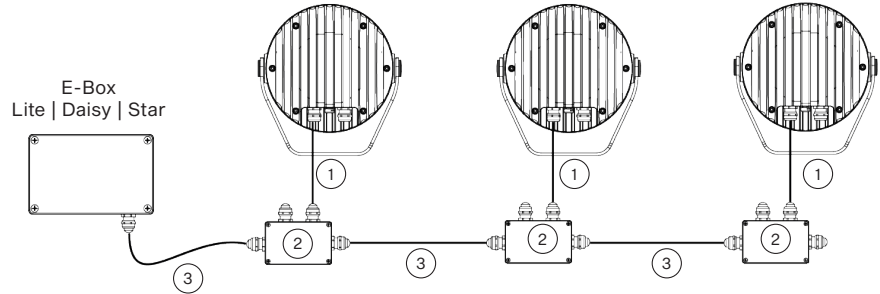
Note: This type of connection is available for S, M, L, and XL versions. E-Box has to be in Pass Through mode only.

CONTROL AND CONNECTION OPTIONS - US

DMX or ETHERNET via E-BOX

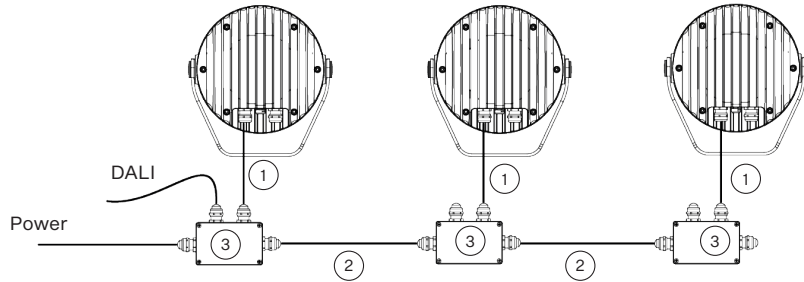
- 1) SJTW 6x 14AWG (13053480)
Standard 1 m with bare-end
- 2) Junction Box for Calumma
- 3) SJTW 6x 14AWG (13053480)
or Scope of Others

Note: This type of connection is available for S, M, L, and XL versions. E-Box has to be in Pass Through mode only.



DALI

- 1) SJTW 5x 14AWG (13053336)
Standard 1 m with bare-end
- 2) SJTW 5x 14AWG (13053336)
or Scope of Others
- 3) Junction Box for Calumma



CONNECTIVITY

Following table shows maximum connected Calummas S MC in a row with respect of cable length.

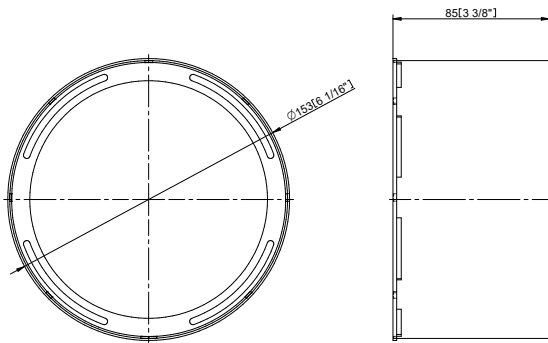
	Cable length (m)	Voltage (V)			
		120	190	230	277
CALUMMA S MC	10	32	32	32	32
	20	32	32	32	32
	30	32	32	32	32
	50	26	32	32	32
	70	18	32	32	32
	100	13	32	32	32

PHOTOMETRIC OVERVIEW

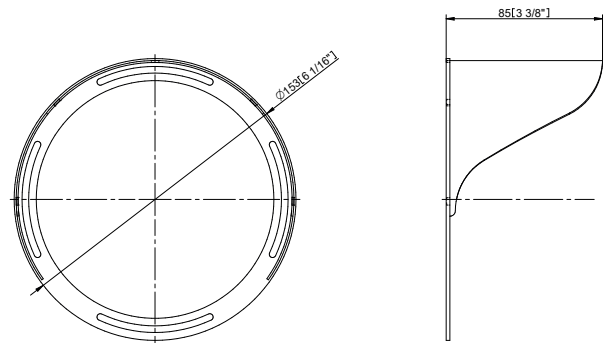
	Lumen Output (lm)		
	RGBCW (W 6500 K)	RGBA	WW (W 3000 K)
9°	993	852	847
15°	768	659	655
25°	762	653	650
30°	751	644	640
45°	761	653	649
65°	761	653	649
100°	753	646	642
10° x 30°, 30° x 10°	720	617	614
10° x 60°, 60° x 10°	800	686	682
15° x 45°, 45° x 15°	815	699	695
30° x 60°, 60° x 30°	757	649	645
30° x 90°, 90° x 30°	816	700	696
15° x 90°, 90° x 15°	904	773	769

ACCESSORIES

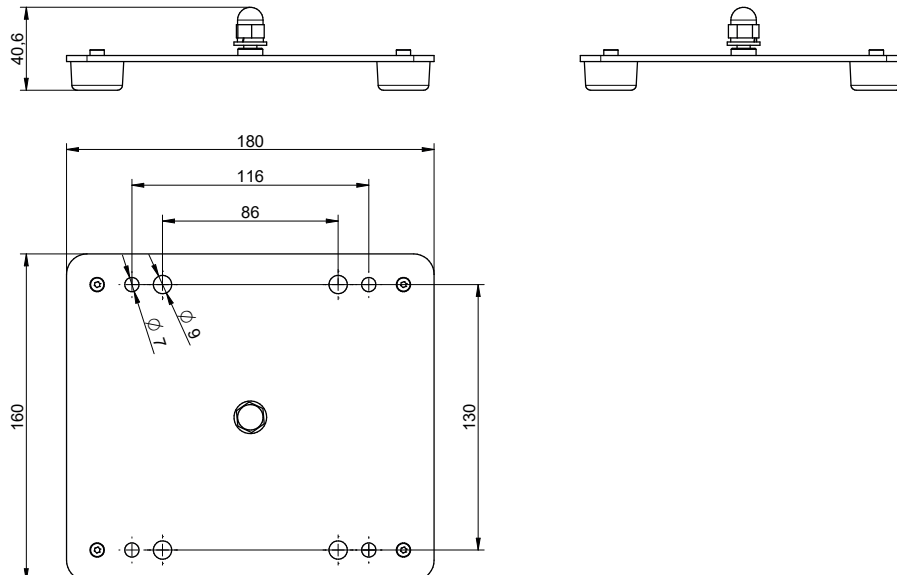
Top Hat



Half Top Hat



Floor Stand



Pole Adaptor

