

CALUMMA™ XS MC

Using a single high-power, multi-chip LED inside a compact, elegant, and durable housing, the smallest Calumma is a great choice for many different lighting applications. Complementing both outdoor environments and interior designs, its wide range of beam angles, LED chip colour variant options and accessories make the Calumma XS MC an ideal, extra small lighting solution for any architectural design.



KEY FEATURES

Lumen output & Light source

Luminaire with one high-power, multi-chip LED provides light output up to 331 lumens with an efficacy of 33 lm/w. Offering a choice of multiple LED colour variants, precise beam control with no light spill, and perfectly homogenised light output, it's an excellent solution for applications requiring high performance in a compact luminaire.

Design & Durability

Lightweight, compact, durable and stylish housing made of high-pressure die cast aluminium. IP67 and IK10 certification; suitable for marine and traffic applications. Supported with a 5 year warranty.

Flexibility

An exceptionally compact luminaire available with a wide range of accessories, custom colour finishes, LED choices, and beam angle options, Calumma XS offers the lighting designer a flexible solution for the most demanding applications.

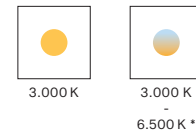
COLOURS

* UPON REQUEST



COLOUR TEMPERATURE

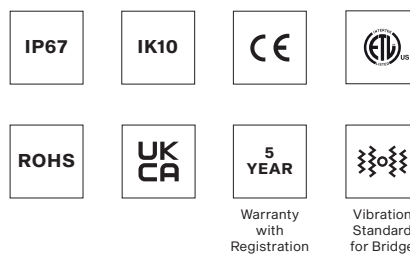
* UPON REQUEST



CONTROL & PROTOCOLS



STANDARD & SPECIFICATION

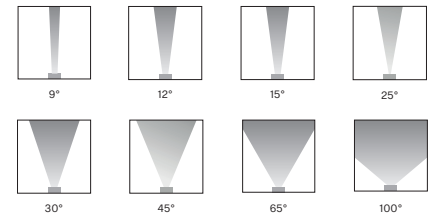


FINISH OPTIONS

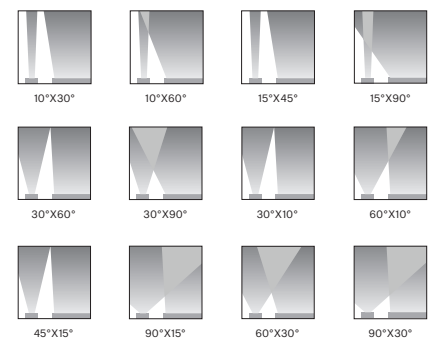


OPTIC OPTIONS

SYMMETRICAL



BI-SYMMETRICAL



CALUMMA XS MC SPECIFICATION

ELECTRICAL	Typical Power Consumption	10 W
	Input Voltage	48 V
OPTICAL	Light Source	High Power Multichip LED
	Colour Variants	RGBW (W - 6500 K) RGBA PW (W - 3000 K)
		Other Variants On Request (TW 3000 - 6500 K)
	Beam Angle	9° 12° 15° 25° 30° 45° 65° 100°
		10°x30° 30°x10° 10°x60° 60°x10° 15°x45° 45°x15° 15°x90° 90°x15° 30°x60° 60°x30° 30°x90° 95°x30°
		Lumen Output Delivered
Projected Lumen Maintenance	L90B10 >90.000 hrs, Ta = 25°C / 77°F	
CONTROL	Interface protocol	Via E-box Remote or E-box Remote Basic
	E-Box Remote control protocol	USITT DMX512/RDM, ArtNet, MA Net, MA Net2, sACN, Kling-Net
	Setting / addressing	E-box Remote, RDM communicator
	Connectivity & Power Supply	E-Box Remote Remote Basic
PHYSICAL	Width x Height x Depth	94 x 108 x 76 mm (3.7 x 4.2 x 2.99 in.)
	Weight	0.59 kg 1.3 lbs
	Housing	High Pressure Die-Cast Aluminium Body Tempered Glass
	Finish Options	Standard Colour - Graphite Black (RAL 9011) Silver (RAL 9006)
		Cost Option - Custom RAL Harsh Environment (RAL 9016, RAL 9011)
	Cabels / Connectivity	IN - Cable with bare end (Standard 1m, Longer upon Request) - Cable length - custom - Junction box - optional
	Mounting Method	Yoke
	Adjustability	+180° / -180°
	Protection Factor	IP67 (IP66 Junction Box) / Suitable For Wet Locations
	IK Rating	IK10
	Cooling System	Convection
	Operating Ambient Temperature	-20 °C / +50 °C (-4 °F / +122 °F)
	CERTIFICATION	Listings
ACCESSORIES		Optical Demo Set for Calumma XS
		Top Hat Calumma XS
		Half Top Hat Calumma XS
		Tenon Adaptor for Calumma XS
		Twin Wall Cover Calumma XS
		Pole Adaptor (ø 102mm)

PROJECTED AREA

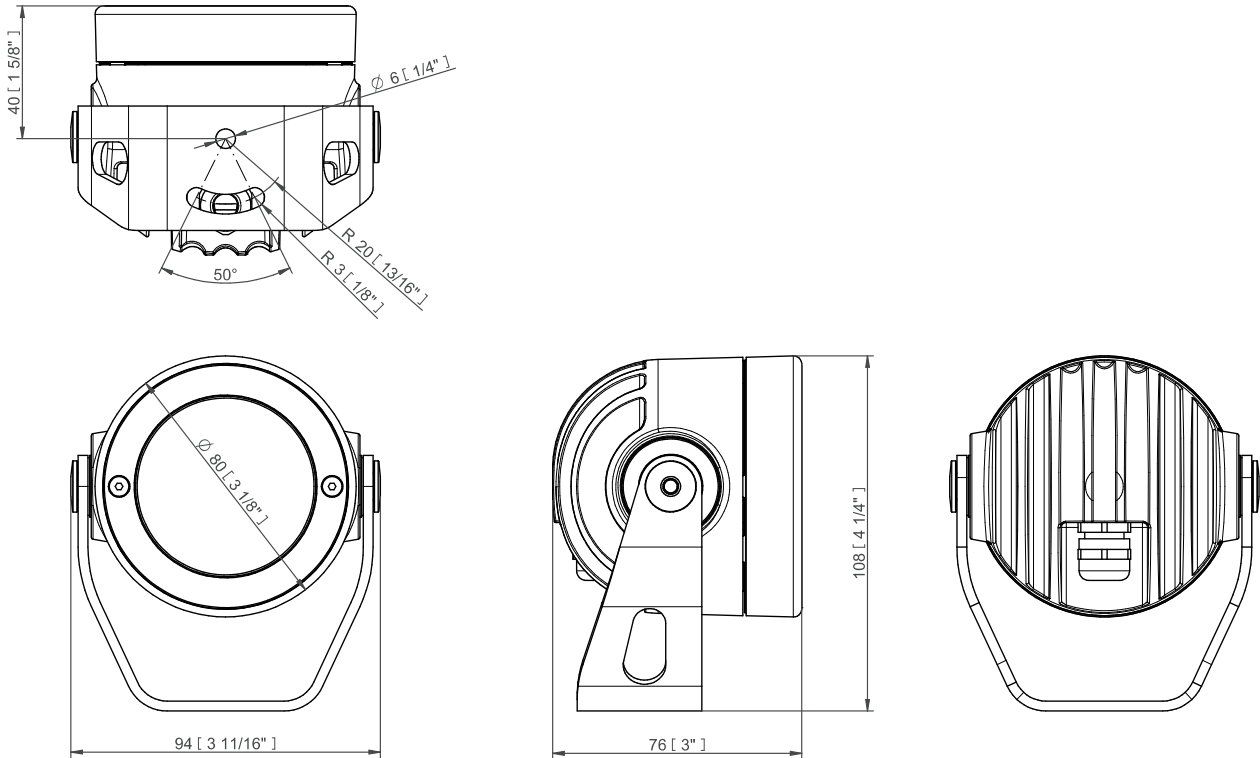
	Front (rear) - m ²	Front (rear) ft ²	Side - m ²	Side - ft ²	Top - m ²	Top - ft ²
Calumma XS	0,006	0,065	0,007	0,070	0,006	0,065
with Top Hat	0,006	0,065	0,014	0,151	0,014	0,151
with Half Top Hat	0,006	0,065	0,008	0,082	0,014	0,151

CONNECTIVITY

Following table shows maximum connected Calummas XS SC in a row with respect of cable length.

Cable length (m)	Per E-Box Remote or E-box Remote Basic	Per one LED output
50	40	25
100		20

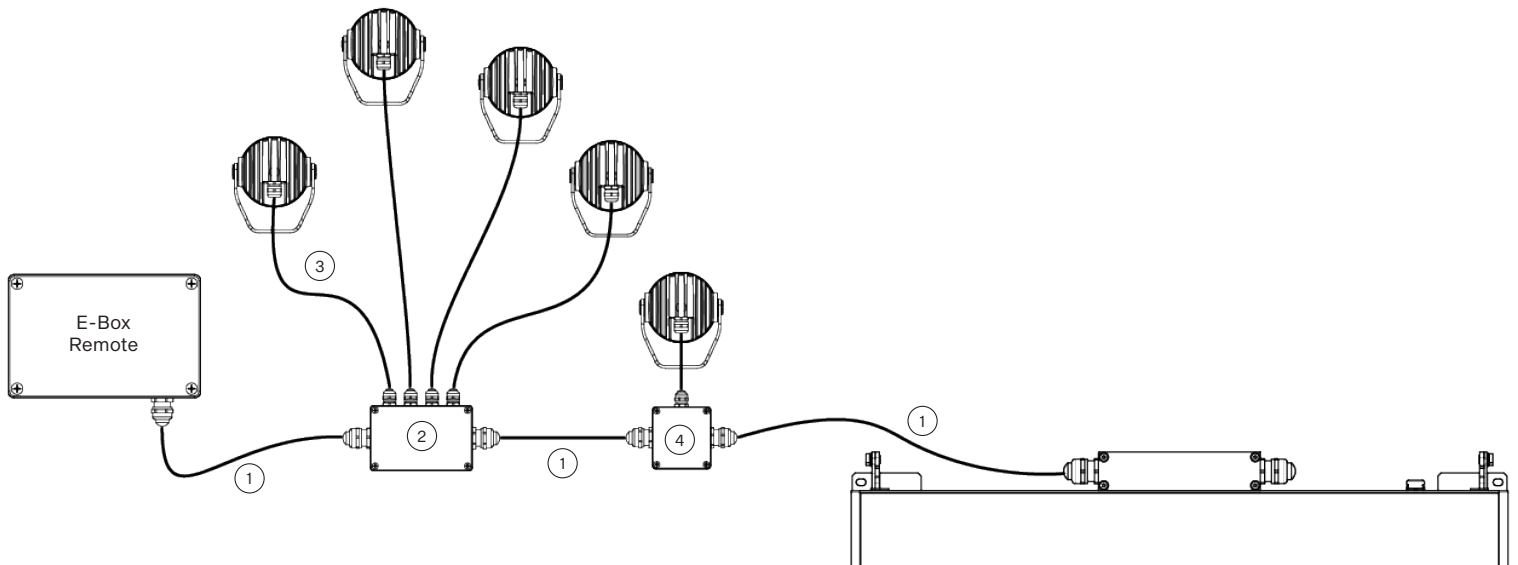
DIMENSIONS



CONTROL AND CONNECTION OPTIONS

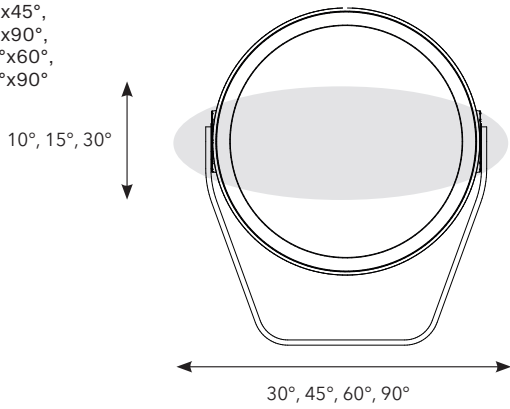
Via E-Box REMOTE (Calumma XS, Eminere Remote)

- 1) SJTW 5x 14AWG (13053336)
- 2) Junction Box for Calumma XS,(4x Output)
- 3) UL 20969 5x 20AWG (13053481)
- 4) Junction Box for Calumma XS, (1x Output)

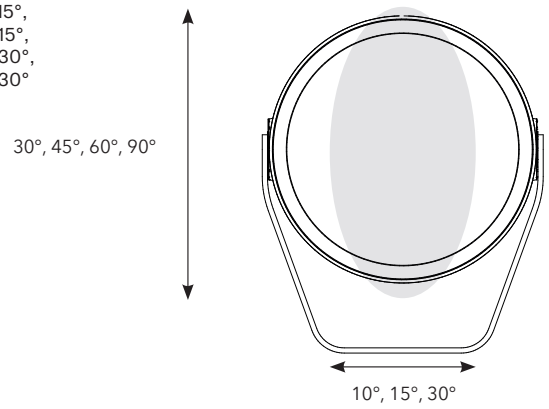


BI-SYMMETRICAL BEAM ANGLES

Bi-symmetrical:
10°x30°,
10°x60°,
15°x45°,
15°x90°,
30°x60°,
30°x90°



Bi-symmetrical:
30°x10°,
60°x10°,
45°x15°,
90°x15°,
60°x30°,
90°x30°



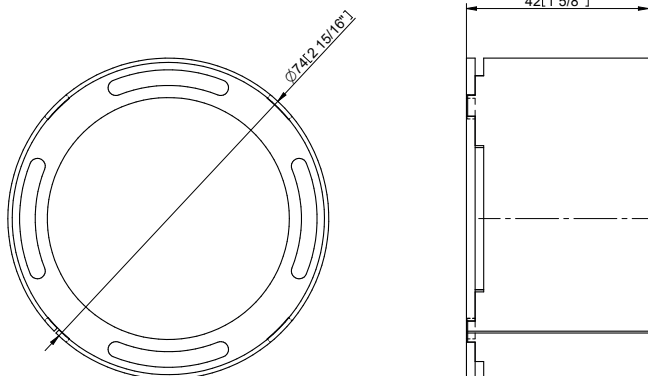
PHOTOMETRIC OVERVIEW

Lumen Output (lm)

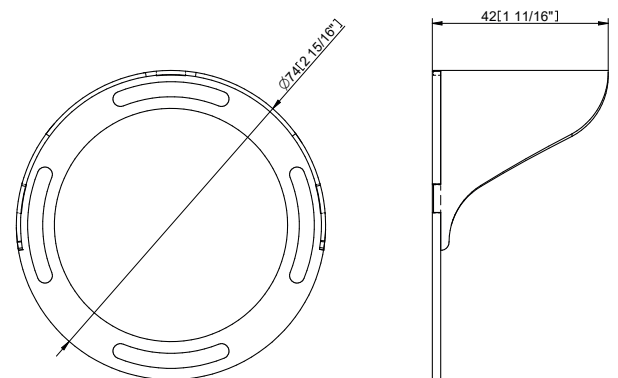
	RGBCW (W 6500 K)	RGBA	WW (W 3000 K)
9°	331	284	282
12°	331	284	282
15°	256	220	218
25°	254	218	217
30°	250	214	213
45°	254	218	217
65°	254	218	217
100°	251	215	214
10° x 30°, 30° x 10°	240	206	205
10° x 60°, 60° x 10°	267	229	228
15° x 45°, 45° x 15°	272	233	232
30° x 60°, 60° x 30°	252	216	215
30° x 90°, 90° x 30°	272	233	232
15° x 90°, 90° x 15°	301	258	257

ACCESSORIES

Top Hat



Half Top Hat



Pole Adaptor (ø 102mm)

