

# CALUMMA™ ARTS S MC

Featuring an artistic optical design with three high-efficacy multi-chip LEDs and optional LED colour variants, the compact Calumma Arts S MC luminaire delivers powerful, expressive light with a distinctive artistic character. It offers 3 interchangeable lenses and 9 textured glass options, which can be freely combined and adjusted directly on site, allowing lighting designers to precisely tune the effect for each installation. This flexibility makes it possible to create virtually endless lighting effects, from subtle accents to dramatic highlights. Built in a durable housing with a finish suitable for harsh and marine environments, it is an elegant and robust solution for both exterior and interior architectural lighting applications.



## KEY FEATURES

### Lumen output & Light source

Luminaire with three high-power, multi-chip LEDs provides up to 993 lumen output. Multiple LED colour variants. No light spills. Perfectly homogenised light output with efficacy up to 33 lm/w.

### Design & Durability

Compact, durable and stylish housing made of high-pressure die cast aluminium. IP67 and IK10 certification; suitable for marine applications (Harsh Environment Finish required) and traffic applications. Supported with a 5 year warranty.

### Flexibility

Exceptional indoor and outdoor LED luminaire featuring three interchangeable lenses and nine textured glass options. Effects can be adjusted directly on site, offering virtually endless lighting possibilities.

### Connectivity

Calumma Arts S MC can be connected via an E-Box for almost effortless installation. DMX512+RDM and wide range of Ethernet protocols are available for E-Box control. DMX/RDM or DALI 2 interface protocols facilitate standard connection options.

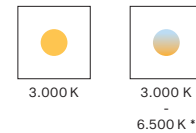
## COLOURS

\* UPON REQUEST



## COLOUR TEMPERATURE

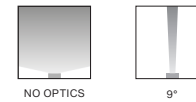
\* UPON REQUEST



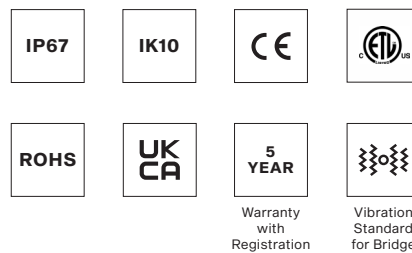
## CONTROL & PROTOCOLS



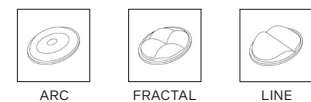
## OPTIC OPTIONS



## STANDARD & SPECIFICATION



## LENSES

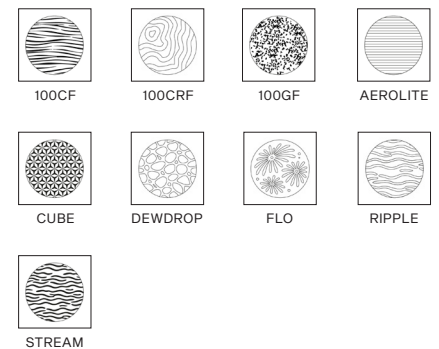


## FINISH OPTIONS

\* CLOSEST RAL TONE  
\* HE = Harsh Environment



## TEXTURED GLASS



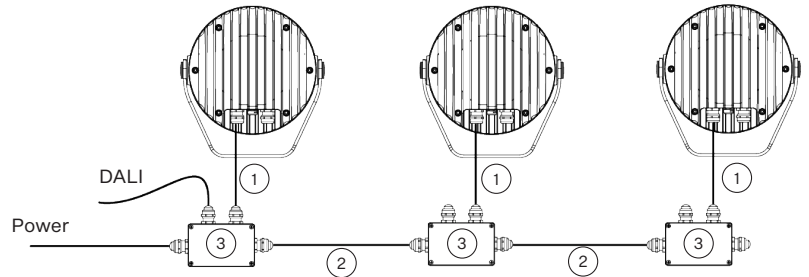
**SPECIFICATION**

<b>ELECTRICAL</b>	Input Voltage	120–277 V AC 50/60 Hz (US)		
	Typical Power Consumption	30 W +/-10 %		
<b>OPTICAL</b>	Light Source	High Power Multichip LEDs		
	Colour Variants	RGBW (W - 6500 K)   RGBA   PW (W - 3000 K) <b>On Request:</b> TW (3000–6500 K)		
	Beam Angle	9°   No Optics		
	Lumen Output Delivered	993 lm (@9° RGBW)		
	Projected Lumen Maintenance	L90B10 >90.000 hrs, Ta = 25°C / 77°F		
	<b>CONTROL</b>	Interface Protocol	DMX/RDM, DALI 2 (DALI Device Type: DT 8)	
Control System		Third Party DMX Controllers		
Operating Modes		DMX, Stand-alone		
Settings / Addressing		E-Box, RDM communicator		
Power Supply		Integrated		
<b>PHYSICAL</b>	Width x Height x Depth	189 x 196 x 119 mm (7.4 x 7.7 x 4.7 in.)		
	Weight	5.1 kg   11.2 lbs		
	Housing	High Pressure Die-Cast Aluminium Body		
		Tempered Glass		
	Finish Options	Standard Colour	Graphite Black RAL 9011   Grey Aluminium RAL 9007 Pure White RAL 9010   Sandstone RAL 1014	
		Standard Colour Harsh Environment	Graphite Black RAL 9011   Grey Aluminium RAL 9007 Pure White RAL 9010   Sandstone RAL 1014	
		Cost Option	Custom RAL	
	Cables / Connections	<b>IN (for DMX, DALI):</b>	<ul style="list-style-type: none"> <li>- 1 m cable with bare end</li> <li>- Other cable length - custom</li> <li>- Junction box - optional</li> </ul>	
	Mounting Method	Yoke or Yoke for Pole Adaptor		
	Adjustability	+180° / -180°		
	Protection Factor	IP67 / Suitable For Wet Locations		
	IK Rating	IK10		
	Cooling System	Convection		
	Operating Ambient Temperature	-20 °C / +50 °C (-4 °F / +122 °F)		
<b>CERTIFICATION</b>	Listings	ETL / cETL, CE, RoHS, UKCA		
<b>ACCESSORIES</b>	<b>Not Included Items</b>	Junction Box for Calumma S-XL / Eminere (CE or US)		
		Re-enterable Electrical Insulating Resin		
		Land Spike for Calumma S		
		Floor Stand for Calumma Arts S		
		Pole Adaptor (ø 102 mm) (Yoke for Pole Adaptor Required)		
		<b>Lenses for Calumma Arts S</b>	Fractal Lens   ARC Lens   Line Lens	
		<b>Textured Glass for Calumma Arts S</b>	Aerolite Glass   DewDrop Glass   Flo Glass   Ripple Glass   Cube Glass   CF Glass   CRF Glass   GF Glass   Stream Glass	

**CONTROL AND CONNECTION OPTIONS - CE**

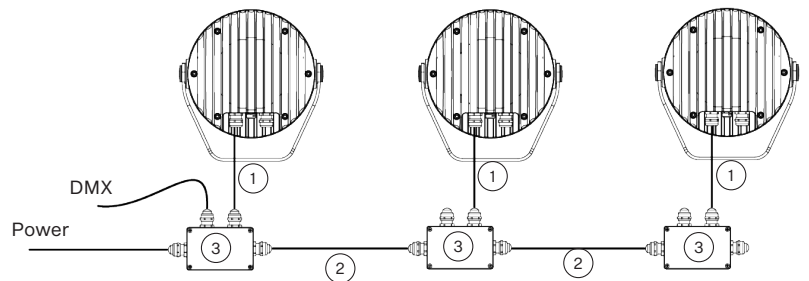
**DALI**

- 1) Hybrid Cable (13053693) Standard 1 m with bare-end, black or on request Hybrid cable (13053697), 1 m with bare-end, white
- 2) Hybrid Cable (13053693) Standard 1 m with bare-end, black, or on request Hybrid cable (13053697), 1 m with bare-end, white or Scope of Others
- 3) Junction Box



**DMX**

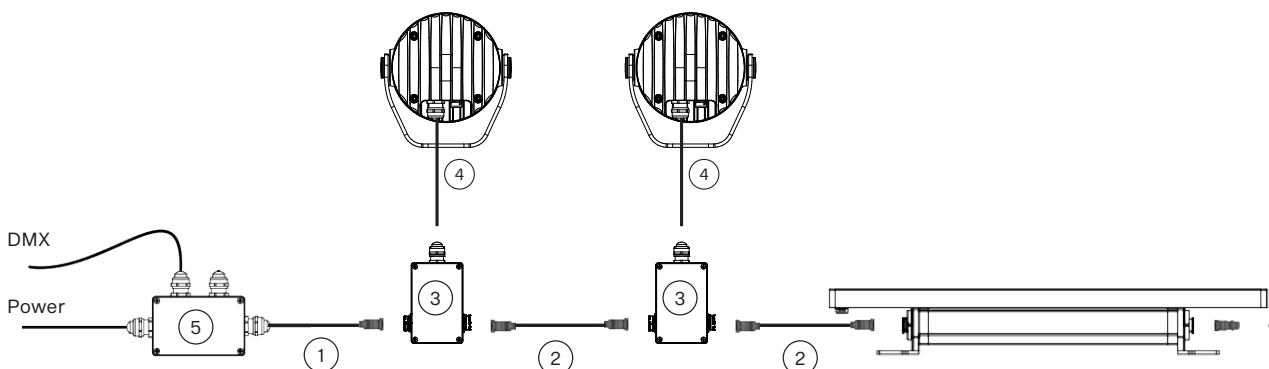
- 1) Flamar 3x16 AWG + 1x(2x24 AWG) Standard 1 m with bare-end, (13051508), black or Hybrid Cable HYB-5731ZH LSZH (13053694), white
- 2) Flamar 3x16 AWG + 1x(2x24 AWG), (13051508), black or Hybrid Cable HYB-5731ZH LSZH (13053694), white or Scope of Others
- 3) Junction Box



**DMX WITH JUNCTION BOX FOR CALUMMA S/ EMINERE (CE)**

- 1) Leader Cables FF - 2 | 5 | 10 | 25 | 50 m
- 2) Jumper Cables FF/FM - 0,25 | 0,5 | 1 | 2 | 3 | 5 | 10 m
- 3) Junction Box for Calumma S-XL / Eminere CE (10981268 for RAL9011)
- 4) Flamar 3x16 AWG + 1x(2x24 AWG) Standard 1 m with bare-end (13051508), black or Hybrid Cable HYB-5731ZH LSZH (13053694), white
- 5) Junction Box

**Note: The last unplugged connector must be fitted with a Waterproof Cap to protect the IP rating.**

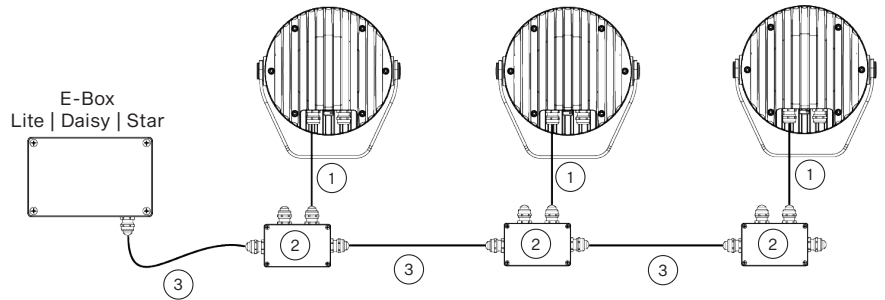


**CONTROL AND CONNECTION OPTIONS - CE**

**DMX or ETHERNET via E-BOX**

- 1) Flamar 3x16 AWG + 1x(2x24 AWG) - (13051508), Standard 1 m with bare-end, black or HYB-5731ZH LSZH (13053694), Hybrid Cable, white
- 2) Junction Box
- 3) Flamar 3x16 AWG + 1x(2x24 AWG) - (13051508), black or HYB-5731ZH LSZH (13053694), Hybrid Cable, white or Scope of Others

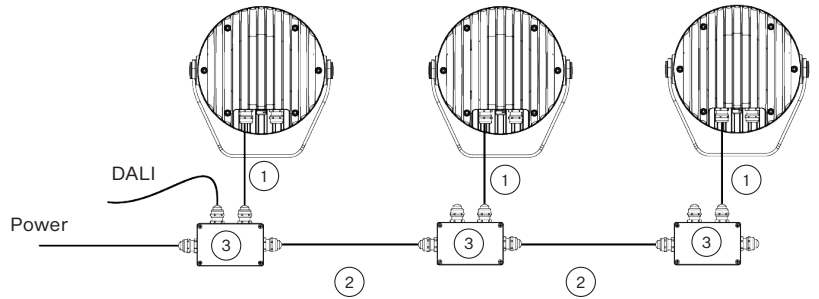
**Note: This type of connection is available for S, M, L, and XL versions. E-Box has to be in Pass Through mode only.**



**CONTROL AND CONNECTION OPTIONS - US**

**DALI**

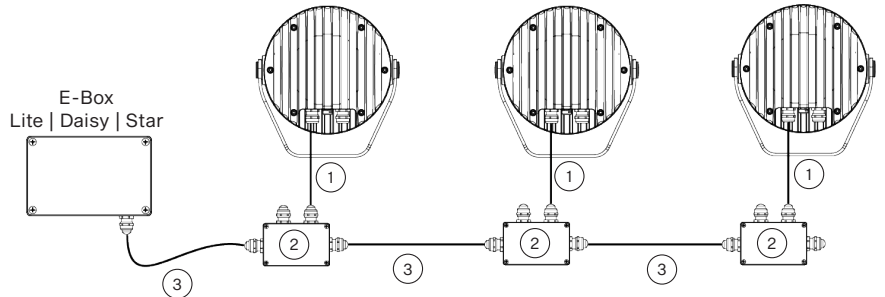
- 1) SJTW 5x14 AWG (13053693), standard 1 m with bare-end, black or Cable SJTW 5x14 AWG (13053697), white
- 2) SJTW 5x14 AWG (13053693), black or Cable SJTW 5x14AWG (13053697), white or Scope of Others
- 3) Junction Box



**DMX or ETHERNET via E-BOX**

- 1) SJTW 6x14 AWG (13053480) Standard 1 m with bare-end, black or Cable SJTW 6x14 AWG (13053695), white
- 2) Junction Box
- 3) SJTW 6x14 AWG (13053480), black or Cable SJTW 6x14 AWG (13053695), white or Scope of Others

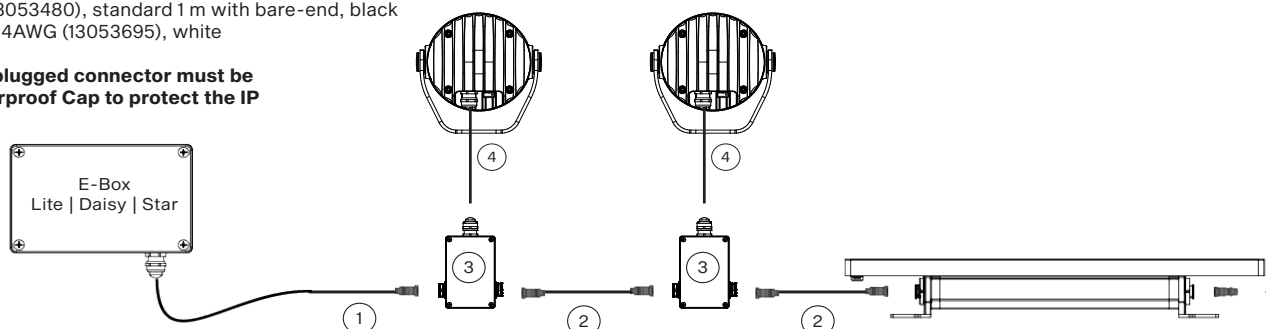
**Note: This type of connection is available for S, M, L, and XL versions. E-Box has to be in Pass Through mode only.**



**DMX WITH JUNCTION BOX FOR CALUMMA S / EMINERE (US)**

- 1) Leader Cables FF - 2 | 5 | 10 | 25 | 50 m
- 2) Jumper Cables FF/FM - 0,25 | 0,5 | 1 | 2 | 3 | 5 | 10 m
- 3) Junction Box for Calumma S-XL / Eminere US (10981269 for RAL9011)
- 4) SJTW 6x14 AWG (13053480), standard 1 m with bare-end, black or Cable SJTW 6x 14AWG (13053695), white

**Note: The last unplugged connector must be fitted with a Waterproof Cap to protect the IP rating.**

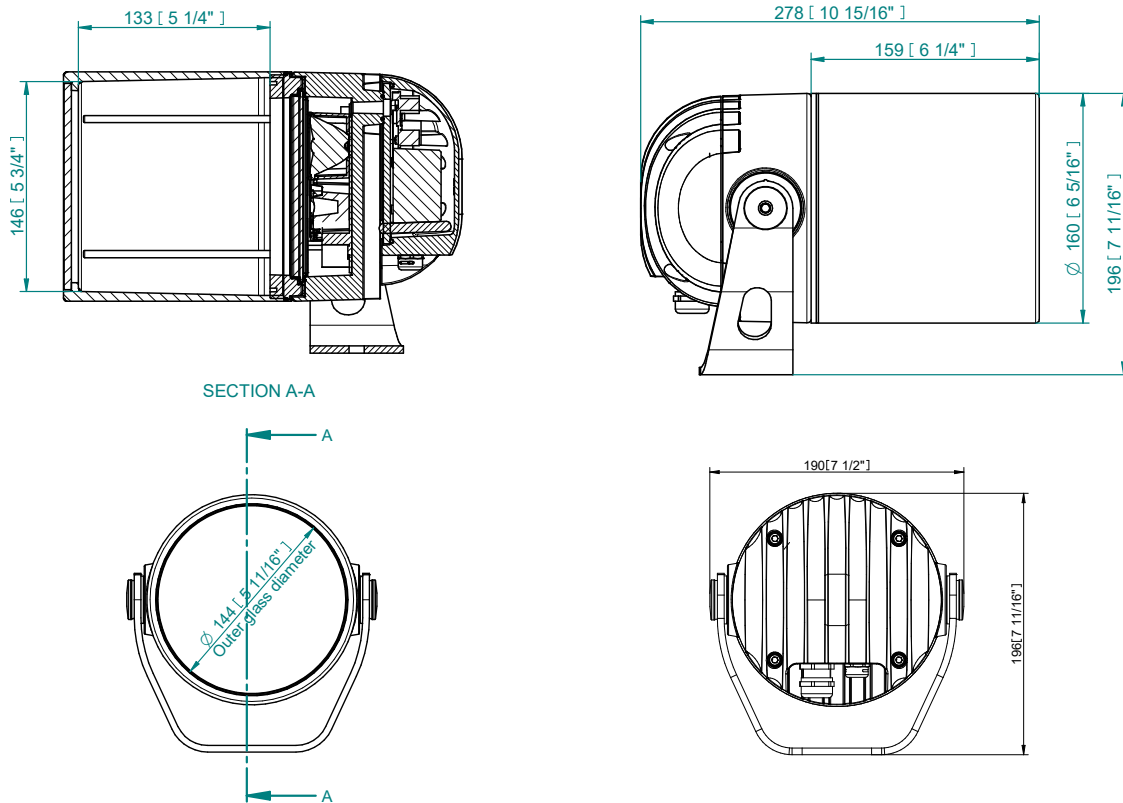


**CONNECTIVITY**

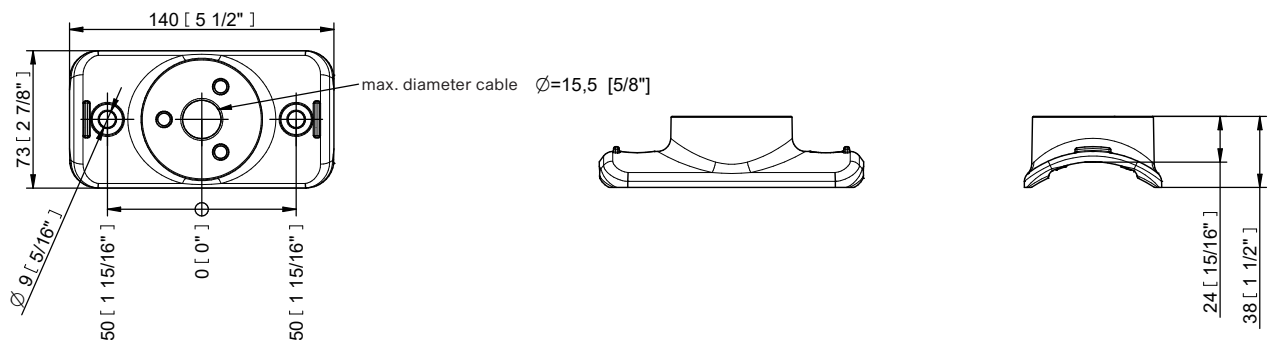
Following table shows maximum connected Calummas Arts S SC in a row with respect of cable length.

	Cable length (m)	Voltage (V)			
		120	190	230	277
CALUMMA ARTS S MC	10	32	32	32	32
	20	32	32	32	32
	30	32	32	32	32
	50	26	32	32	32
	70	18	32	32	32
	100	13	32	32	32

**DIMENSIONS**

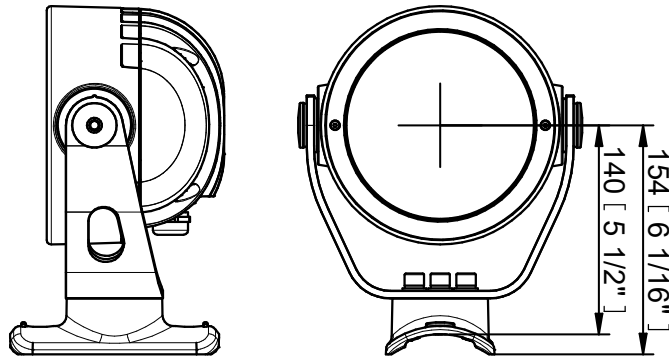


**Pole Adaptor**



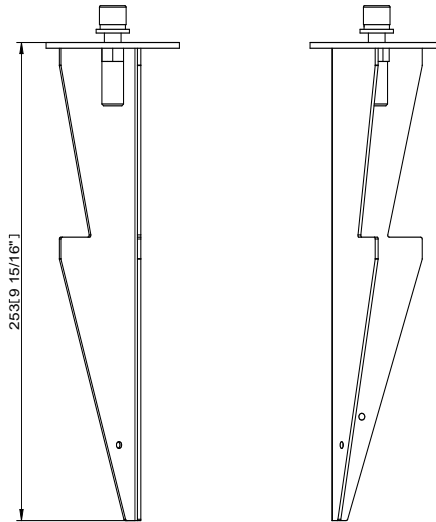
**Yoke for Pole Adaptor (with Pole Adaptor / PA)**

Example of ordering code: Calumma S SC RGBCW 15° PA



**ACCESSORIES**

**Land Spike for Calumma (S, M, L, XL)**



**Floor Stand for Calumma Arts S**

