

CALUMMA™ ARTS M MC

Featuring an artistic optical design with seven high-efficacy multi-chip LEDs, the medium-sized Calumma Arts M MC luminaire delivers powerful and expressive light with a distinctive artistic character. It offers 3 interchangeable lenses and 9 textured glass options, which can be freely combined and adjusted directly on site, allowing lighting designers to fine-tune the effect and create virtually endless lighting possibilities. Its durable housing is built to withstand harsh and marine environments, providing an elegant and robust solution for outdoor applications. Calumma Arts M MC can also be connected in long In/Out daisy-chains via an E-Box and hybrid Plug & Play connections for almost effortless installation.



KEY FEATURES

Lumen output & Light source

Luminaire with seven high-power, multi-chip LEDs provides up to 2316 lumen output. Multiple LED colour variants. Perfectly homogenised light output with efficacy up to 35 lm/w.

Design & Durability

Compact, durable and stylish housing made of high-pressure die cast aluminium. IP67 for fixture, IP65 for its tube and IK10 certification; suitable for marine applications (Harsh Environment Finish required) and traffic applications. Supported with a 5 year warranty.

Flexibility

Exceptional indoor and outdoor LED luminaire featuring three interchangeable lenses and nine textured glass options. Effects can be adjusted directly on site, offering virtually endless lighting possibilities.

Connectivity

Utilising the innovative E-Box series of power and data interfaces, Calumma M MC can communicate via numerous wired, wireless, and Ethernet based control protocols. Various wiring topologies are supported using hybrid power / data cables with Plug & Play connectors or standard connection options.

COLOURS

* UPON REQUEST



RGBW
(6500 K)



RGBA



RGBL



PW
(3000 K)



TW
(3000-6500 K) *

OPTIC OPTIONS



NO OPTICS



9°

LENSES



ARC



FRACTAL



LINE

CONTROL & PROTOCOLS



OPTIONAL



OPTIONAL



OPTIONAL



OPTIONAL

FINISH OPTIONS

* CLOSEST RAL TONE
* HE = Harsh Environment



Graphite Black
RAL 9011*



Grey Aluminium
RAL 9007



Sandstone
RAL 1014*



Pure White
RAL 9010



HE
Graphite Black
RAL 9011*



HE
Grey Aluminium
RAL 9007



HE
Sandstone
RAL 1014*



HE
Pure White
RAL 9010



RAL
Custom
Paint Colour

TEXTURED GLASS



HAMMERED



DIAMOND



MATRIX



CUBE



DEWDROP



FLORENTINE



CATHEDRAL



RIPPLE



STREAM



AEROLITE



FLUTES



LISTRAL

STANDARD & SPECIFICATION



Tube



Fixture



IK10



CE



UK
CA



5
YEAR

Warranty
with
Registration



Vibration
Standard
for Bridge



ROHS

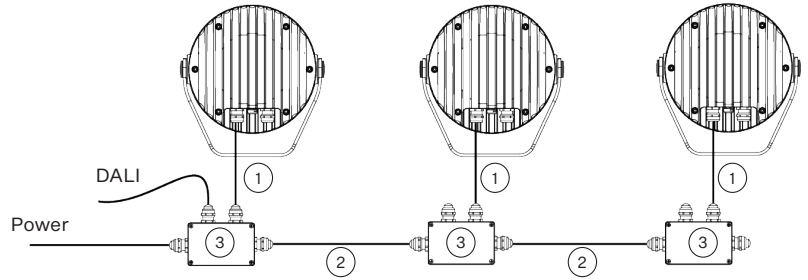
SPECIFICATION

ELECTRICAL	Input Voltage	120–277 V AC 50/60 Hz (US)		
	Typical Power Consumption	65 W +/-10 %		
OPTICAL	Light Source	High Power Multichip LEDs		
	Colour Variants	RGBW (W - 6500 K) RGBA RGLB Pure White (W - 3000 K) On Request: Tuneable White (3000–6500 K)		
	Beam Angle	9° No Optics		
	Lumen Output Delivered	2316 lm (@9° RGBW)		
	Projected Lumen Maintenance	L90B10 >90.000 hrs, Ta = 25°C / 77°F		
CONTROL	Interface Protocol	Via E-box range, DMX/RDM, wireless DMX, DALI 2		
	E-box control protocol	USITT DMX512+RDM, ArtNet, MA Net, MA Net2, sACN, Kling-Net		
	DALI 2 Device Type	DT 8		
	Wireless DMX (Option)	Lumen Radio CRMX Technology		
	Control System	Third Party DMX Controllers		
	Operating Modes	DMX, Stand-alone		
	Settings / Addressing	E-box, RDM communicator		
	Power Supply	Integrated		
PHYSICAL	Width x Height x Depth Weight	264 x 278 x 106 mm (10.4 x 10.94 x 4.17 in.) 9.6 kg (21.2 lbs)		
	Housing	High Pressure Die-Cast Aluminium Body Tempered Glass		
	Finish Options	Standard Colour	Graphite Black RAL 9011 Grey Aluminium RAL 9007 Pure White RAL 9010 Sandstone RAL 1014	
		Standard Colour Harsh Environment	Graphite Black RAL 9011 Grey Aluminium RAL 9007 Pure White RAL 9010 Sandstone RAL 1014	
		Cost Option	Custom RAL	
	Cables / Connections	IN/OUT (for E- Box version): - 0.5 m cables with hybrid connectors - Jumper cables	IN (for DMX, DALI): - 1 m cable with bare end - Other cable length - custom - Junction box - optional	
	Mounting Method	Yoke or Yoke for Pole Adaptor		
	Adjustability	+180° / -180°		
	Protection Factor	IP67 (fixture) / IP65 (tube) / Suitable For Wet Locations		
	IK Rating	IK10		
Cooling System	Convection			
Operating Ambient Temperature	-20°C / +50°C (-4°F / +122°F)			
CERTIFICATION	Listings	ETL / cETL, CE, RoHS, UKCA		
ACCESSORIES	Not Included Items	Junction Box for Calumma S–XL/Eminere (CE or US)		
		Re-enterable Electrical Insulating Resin		
		Land Spike for Calumma M		
		Floor Stand for Calumma Arts M		
		Pole Adaptor (ø 102mm) (Yoke for Pole Adaptor Required)		
		Lenses for Calumma Arts M	Fractal Lens ARC Lens Line Lens	
		Textured Glass for Calumma Arts M	Hammered Glass Diamond Glass Matrix Glass Cube Glass DewDrop Glass Florentine Glass Cathedral Glass Ripple Glass Stream Glass Aerolite Glass Flutes Glass Listral Glass	

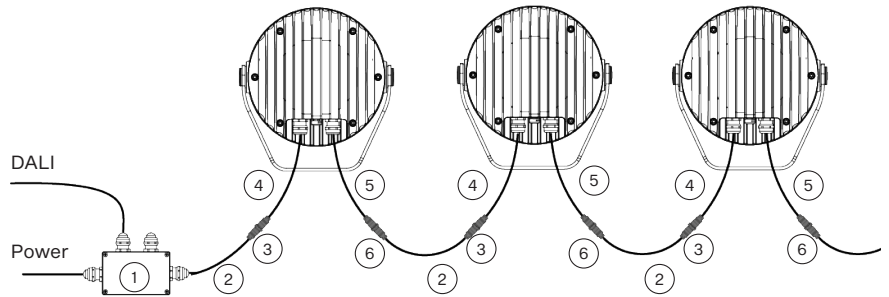
CONTROL AND CONNECTION OPTIONS - CE

DALI

- 1) Hybrid Cable (13053693) Standard 1 m with bare-end, black or on request Hybrid cable (13053697), 1 m with bare-end, white
- 2) Hybrid Cable (13053693) Standard 1 m with bare-end, black or on request Hybrid cable (13053697), 1 m with bare-end, white or Scope of Others
- 3) Junction Box



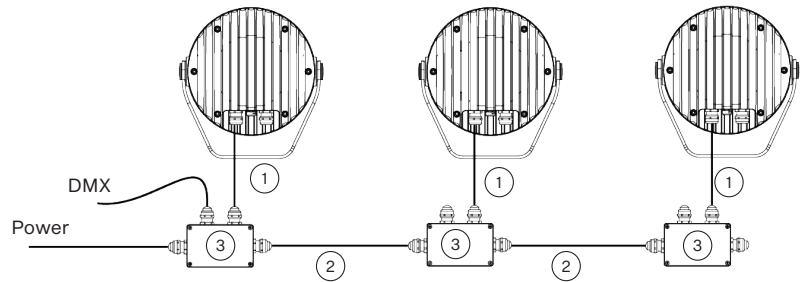
- 1) Junction Box
- 2) Hybrid Cable (13053693) Standard 1 m with bare-end, black or on request Hybrid cable (13053697), 1 m with bare-end, white
- 3) Field Installable Connector FF DC-05 (13053971)
- 4) Hybrid Cable (13053693), black, standard 0.5 m with Field Installable Connector MM DC-05 (13053972), black or on request Hybrid cable (13053697), white, 0.5 m with Field Installable Connector MM DC-05 (13053972), black
- 5) Hybrid Cable (13053693), black, standard 0.5 m with Field Installable Connector FF DC-05 (13053971), black or on request Hybrid cable (13053697), white, 0.5 m with Field Installable Connector FF DC-05 (13053971), black
- 6) Field Installable Connector MM DC-05 (13053972)



Note: The last unplugged connector must be fitted with a Waterproof Cap to protect the IP rating.

DMX

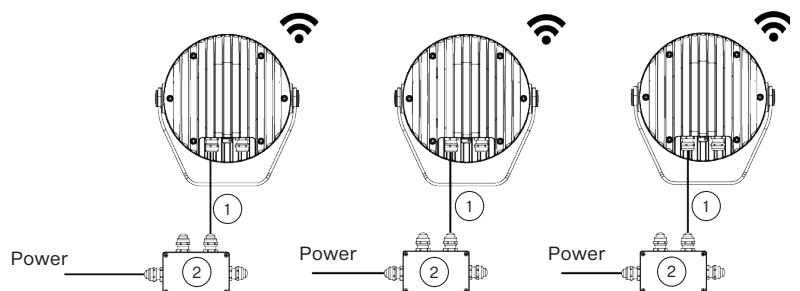
- 1) Flamar 3x16 AWG + 1x(2x24 AWG) - (13051508), Standard 1 m with bare-end, black or HYB-5731ZH LSZH (13053694), Hybrid Cable, white
- 2) Flamar 3x16 AWG + 1x(2x24 AWG) - (13051508), black or HYB-5731ZH LSZH (13053694), Hybrid Cable, white or Scope of Others
- 3) Junction Box



WIRELESS DMX

- 1) Flamar 3x16 AWG + 1x(2x24 AWG) - (13051508), Standard 1 m with bare-end, black or HYB-5731ZH LSZH (13053694), Hybrid Cable, white
- 2) Junction Box

Note: This type of connection is available for M, L, XL versions.

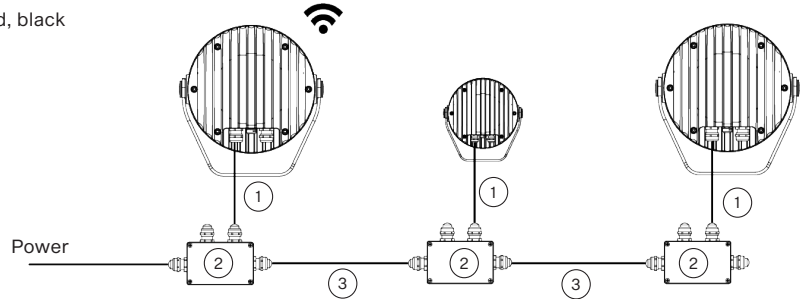


CONTROL AND CONNECTION OPTIONS - CE

WIRELESS DMX

- 1) Flamar 3x16 AWG + 1x(2x24 AWG) - (13051508), Standard 1 m bare-end, black or HYB-5731ZH LSZH (13053694), Hybrid Cable, white
- 2) Junction Box
- 3) Flamar 3x16 AWG + 1x(2x24 AWG) - (13051508), black or HYB-5731ZH LSZH (13053694), Hybrid Cable, white or Scope of Others

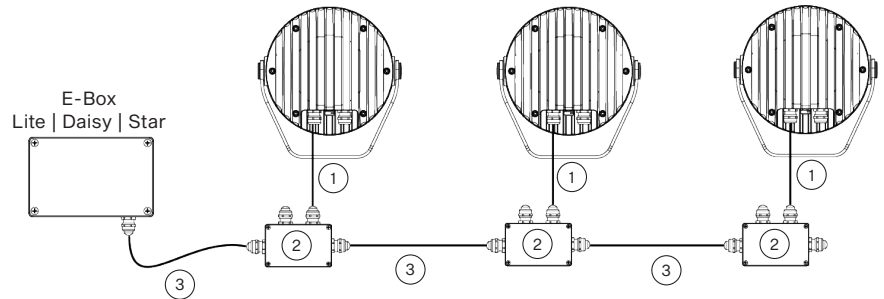
Note: This type of connection must have M, L or XL versions as the first luminaire. Next luminaires in a row could be chosen from S, M, L or XL versions.



DMX or ETHERNET via E-BOX

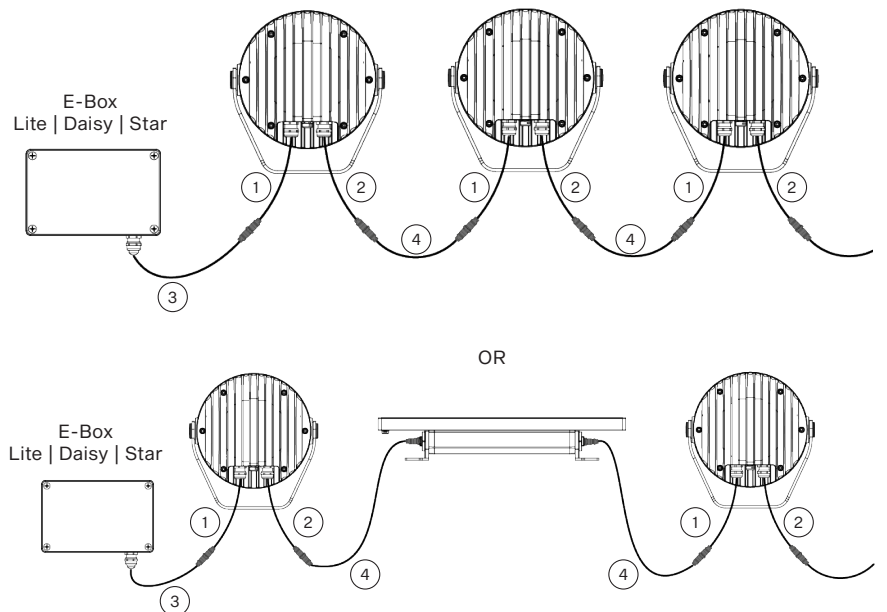
- 1) Flamar 3x16 AWG + 1x(2x24 AWG) - (13051508), Standard 1 m with bare-end, black or HYB-5731ZH LSZH (13053694), Hybrid cable, white
- 2) Junction Box
- 3) Flamar 3x16 AWG + 1x(2x24 AWG) - (13051508), black or HYB-5731ZH LSZH (13053694), Hybrid cable, white or Scope of Others

Note: This type of connection is available for S, M, L, and XL versions. E-Box has to be in Pass Through mode only.



- 1) Leader Cable MM (13053493)
Standard 0.5 m with hybrid connector
- 2) Leader Cable MF (13053494)
Standard 0.5 m with hybrid connector
- 3) Leader Cable FF 2 m (13053438)
Leader Cable FF 5 m (13053440)
Leader Cable FF 10 m (13053436)
Leader Cable FF 25 m (13053437)
Leader Cable FF 50 m (13053439)
- 4) Jumper Cable FF/FM 0.25 m (13053422)
Jumper Cable FF/FM 0.5 m (13053423)
Jumper Cable FF/FM 1 m (13053425)
Jumper Cable FF/FM 2 m (13053427)
Jumper Cable FF/FM 3 m (13053428)
Jumper Cable FF/FM 5 m (13053430)
Jumper Cable FF/FM 10 m (13053424)

Note: With this type of connection is possible to connect Calumma (M, L, XL) and Eminere (Eminere, Eminere Side) luminaires in a row.

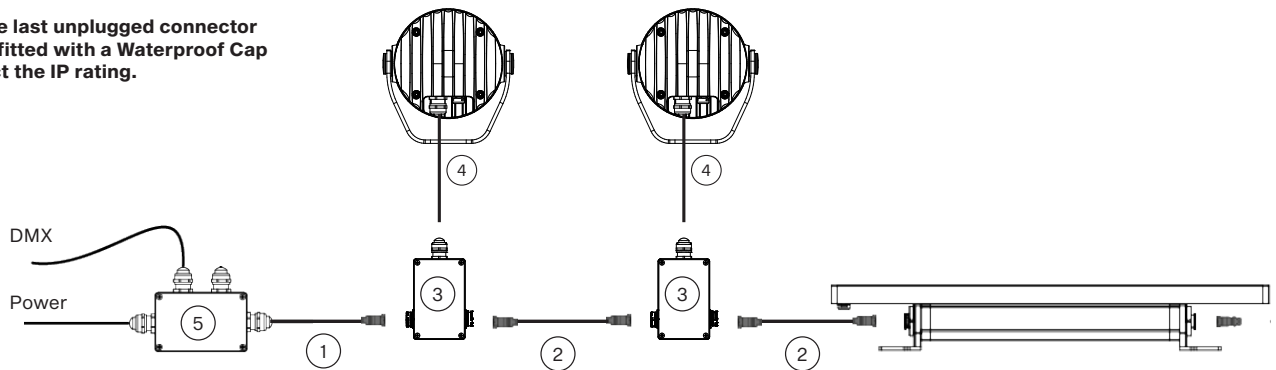


CONTROL AND CONNECTION OPTIONS - CE

DMX WITH JUNCTION BOX FOR CALUMMA M / EMINERE (CE)

- 1) Leader Cables FF - 2 | 5 | 10 | 25 | 50 m
- 2) Jumper Cables FF/FM - 0.25 | 0.5 | 1 | 2 | 3 | 5 | 10 m
- 3) Junction Box for Calumma S–XL / Eminere CE (10981268 for RAL9011)
- 4) Flamar 3x16 AWG + 1x(2x24 AWG) - (13051508), Standard 1 m with bare-end, black or HYB-5731ZH LSZH (13053694), Hybrid cable, white
- 5) Junction Box

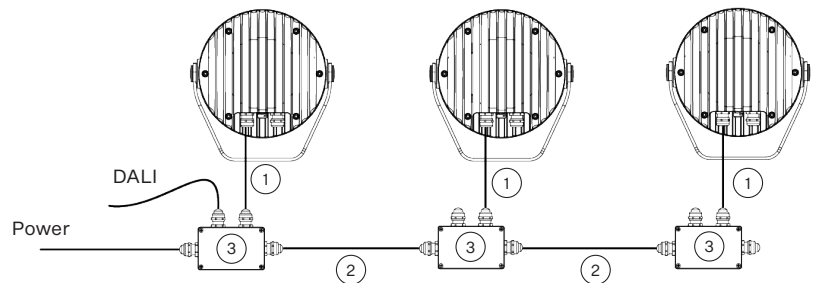
Note: The last unplugged connector must be fitted with a Waterproof Cap to protect the IP rating.



CONTROL AND CONNECTION OPTIONS - US

DALI

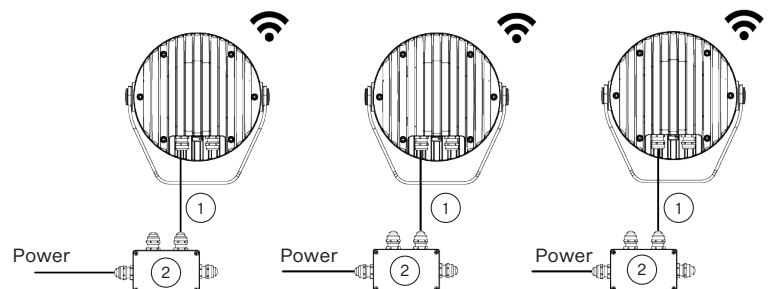
- 1) SJTW 5x14 AWG (13053693), Standard 1 m with bare-end, black or Cable SJTW 5x14 AWG (13053697), white
- 2) SJTW 5x14 AWG (13053693), black or Cable SJTW 5x14 AWG (13053697), white or Scope of Others
- 3) Junction Box



WIRELESS DMX

- 1) SJTW 6x14 AWG (13053480), Standard 1 m with bare-end, black or Cable SJTW 6x14 AWG (13053695), white
- 2) Junction Box

Note: This type of connection is available for M, L, XL versions

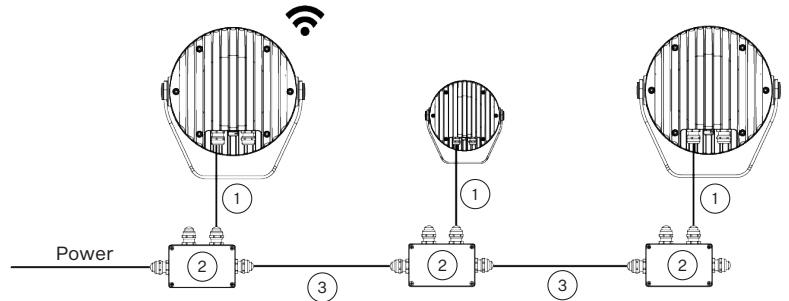


CONTROL AND CONNECTION OPTIONS - US

WIRELESS DMX

- 1) SJTW 6x14 AWG (13053480), Standard 1 m with bare-end, black or Cable SJTW 6x14 AWG (13053695), white
- 2) Junction Box
- 3) SJTW 6x14 AWG (13053480), black or Cable SJTW 6x14 AWG (13053695), white or Scope of Others

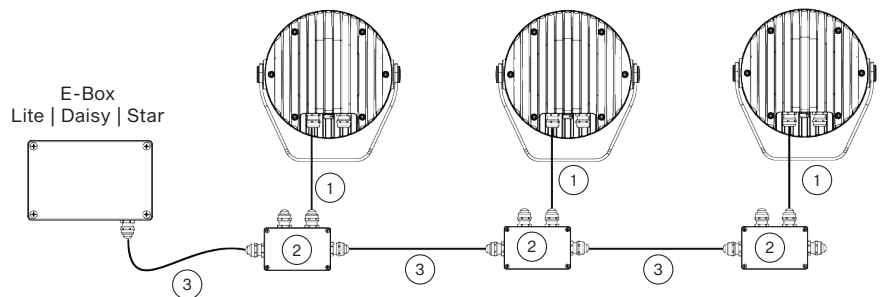
Note: This type of connection must have M, L or XL versions as the first luminaire. Next luminaires in a row could be chosen from S, M, L or XL versions.



DMX or ETHERNET via E-BOX

- 1) SJTW 6x14 AWG (13053480) Standard 1 m with bare-end, black or Cable SJTW 6x14 AWG (13053695), white
- 2) Junction Box
- 3) SJTW 6x14 AWG (13053480), black or Cable SJTW 6x14 AWG (13053695), white or Scope of Others

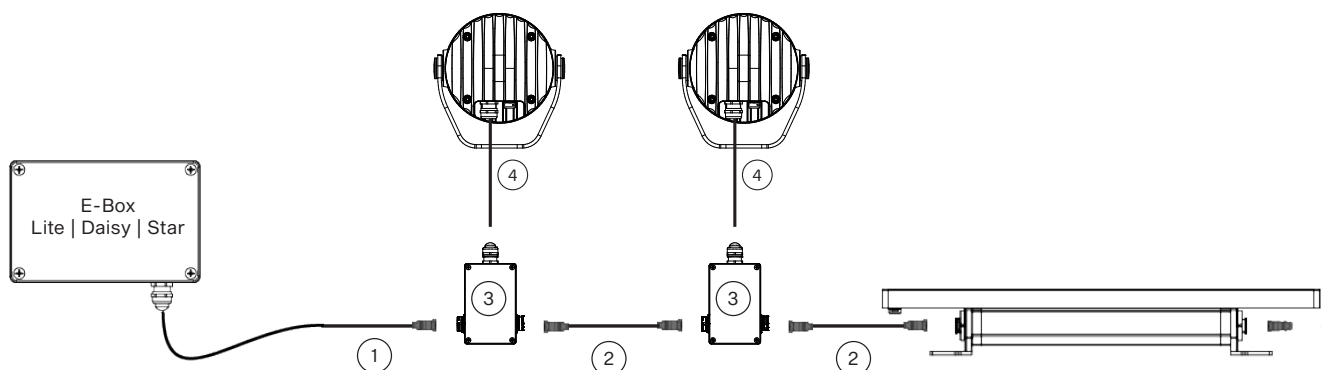
Note: This type of connection is available for S, M, L, and XL versions. E-Box has to be in Pass Through mode only.



DMX WITH JUNCTION BOX FOR CALUMMA M / EMINERE (US)

- 1) Leader Cables FF - 2 | 5 | 10 | 25 | 50 m
- 2) Jumper Cables FF/FM - 0.25 | 0.5 | 1 | 2 | 3 | 5 | 10 m
- 3) Junction Box for Calumma S-XL / Eminere US (10981269 for RAL9011)
- 4) SJTW 6x14 AWG (13053480) Standard 1 m with bare-end, black or Cable SJTW 6x14 AWG (13053695), white

Note: The last unplugged connector must be fitted with a Waterproof Cap to protect the IP rating.



CONNECTIVITY

Following table shows maximum connected Calummas Arts M MC in a row with respect of cable length.

STANDARD MODE	Cable length (m)	Voltage (V)			
		120	190	230	277
CALUMMA M MC	10	28	44	54	65
	20	28	44	54	65
	30	20	44	54	65
	50	12	30	43	63
	70	8	21	31	45
	100	6	15	22	32
	200	3	7	11	16
	500	1	3	4	6

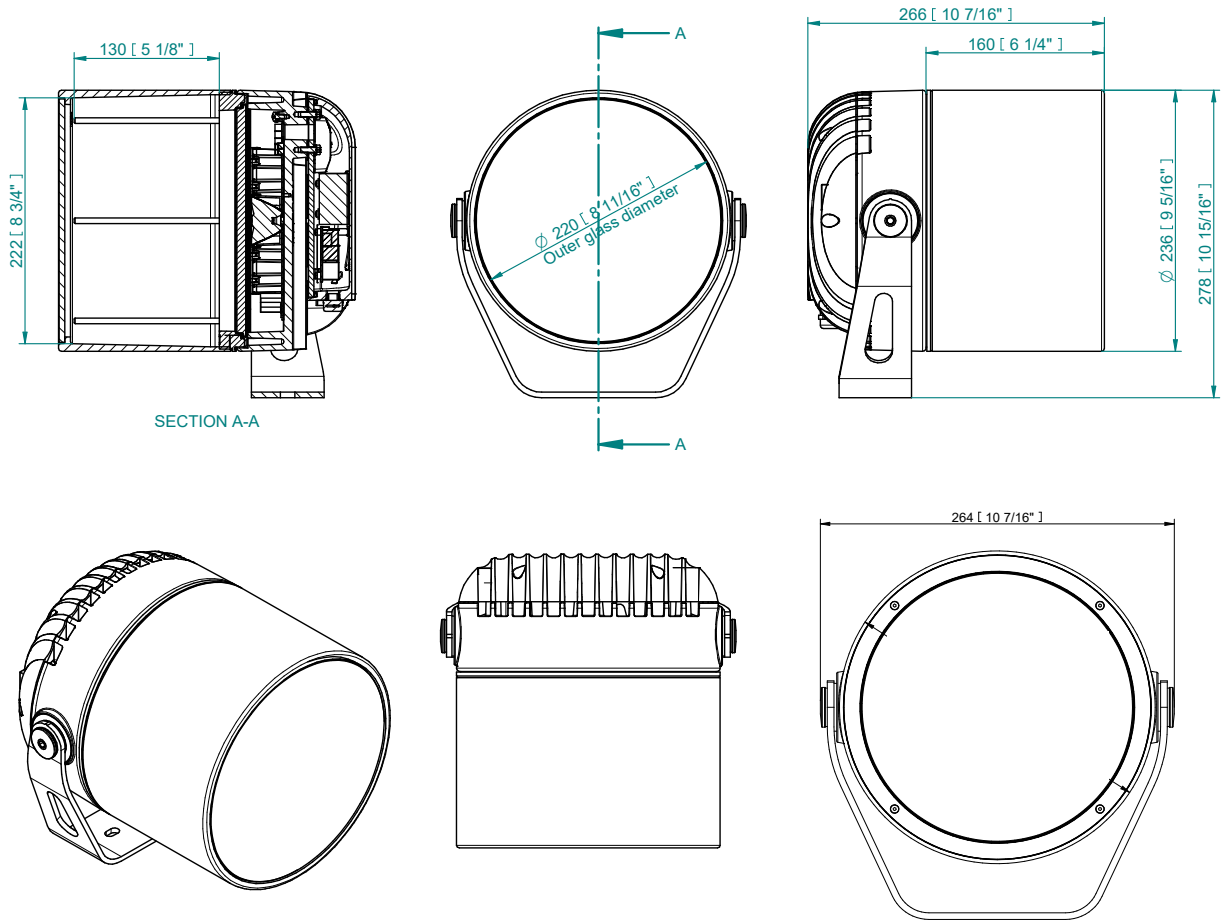
PASS-THROUGH MODE	Cable length (m)	Voltage (V)			
		120	190	230	277
CALUMMA M MC	10	28	32	32	32
	20	28	32	32	32
	30	20	32	32	32
	50	12	30	32	32
	70	8	21	31	32
	100	6	15	22	32
	500	1	3	4	6

BOOSTER BOX POSITIONS

	Cable length (m)	Max. number of Calummas M MC= 191 (in Standard mode)			
		120 V	190 V	230 V	277 V
CALUMMA M MC	10 m	28	-	-	-
	20 m	28, 56	44	54	65
	30 m	20, 40, 60, 80, 100	44, 88	54, 108	65
	50 m	12, 24, 48, 56, 64, 76, 88, 100..	30, 60, 90, 120, 150, 180	43, 86, 129, 172	63, 126
	70 m	8, 16, 24, 32, 40, 48, 56, 64, 72, 80, 88, 96....	21, 42, 63, 84, 105, 126...	31, 62, 93, 124, 155, 176...	45, 90, 135, 180, 225...
	100 m	6, 12, 18, 24, 30, 36, 42, 48, 54, 60, 66, 72, 78, 84, 90, 96, 102....	15, 30, 45, 60, 75, 90, 105, 120, 135...	22, 44, 66, 88, 110, 132, 154...	32, 64, 96, 128, 160, 192
	200 m	3, 6, 9, 12, 15, 18, 21, 24, 27, 30, 33, 36, 39, 42, 45, 48, 51, 54, 57, 60, 63, 66, 69, 72, 75, 78, 81...	7, 14, 21, 28, 35, 42, 49, 56, 63, 70, 77, 84, 91, 98, 105...	11, 22, 33, 44, 55, 66, 77, 88, 99, 110...	16, 32, 48, 64, 80, 96, 112, 128, 144...
	500 m	1, 2, 3, 4, 5, 6, 7, 8, 9, 10, 11...	3, 6, 9, 12, 15, 18, 21, 24, 27, 30, 33, 36, 39, 42, 45, 48, 51, 54, 57, 60, 63, 66...	4, 8, 12, 16, 20, 24, 28, 32, 36, 40, 44, 48, 52, 56, 60, 64, 68, 72, 76, 80....	6, 12, 18, 24, 30, 36, 42, 48, 54, 60, 66, 72, 78, 84, 90, 96...

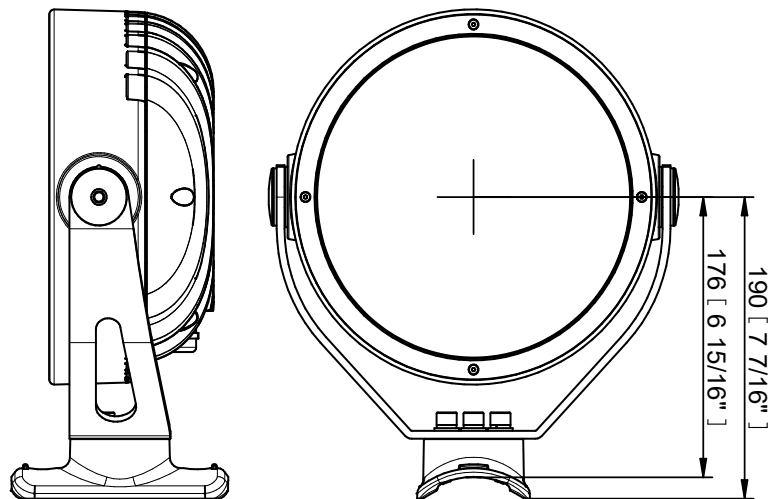
NOTE: For more detail see the User manual.

DIMENSIONS



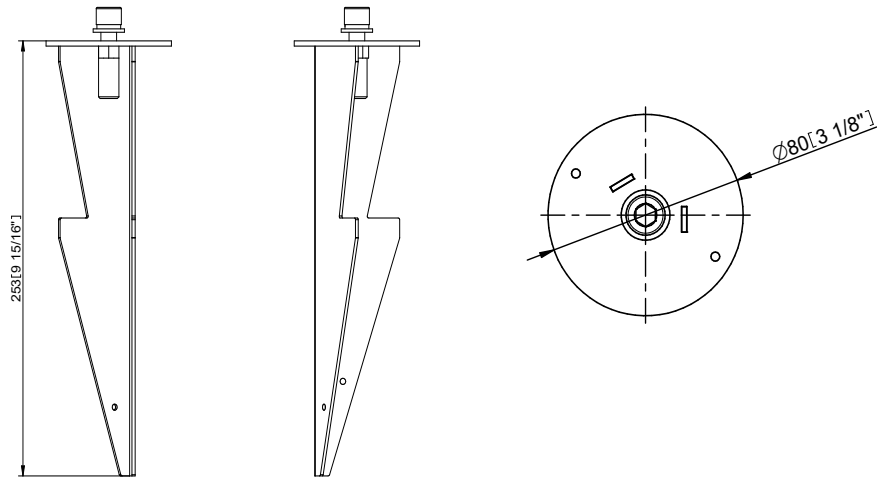
Yoke for Pole Adaptor (with Pole Adaptor / PA)

Example of ordering code: Calumma M SC RGBCW 15° PA

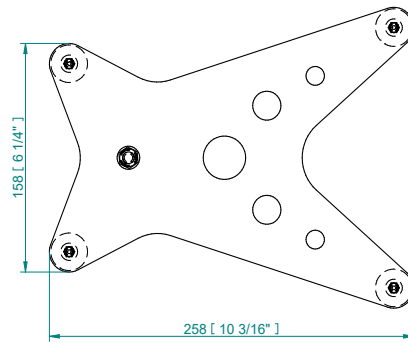
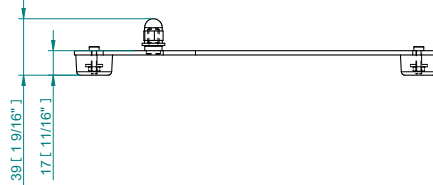


ACCESSORIES

Land Spike for Calumma (S, M, L, XL)



Floor Stand for Calumma Arts M



Pole Adaptor (ø 102mm)

