

# CALUMMA™ ARTS M SC

Featuring an artistic optical design with 37 high-efficacy single-chip LEDs, the medium-sized Calumma Arts M SC luminaire delivers powerful and expressive light with a distinctive artistic character. It offers 3 interchangeable lenses and 9 textured glass options, which can be freely combined and adjusted directly on site, allowing lighting designers to fine-tune the effect and create virtually endless lighting possibilities. Its durable housing is built to withstand harsh and marine environments, providing an elegant and robust solution for outdoor applications. Calumma Arts M SC can also be connected in long In/Out daisy-chains via an E-Box and hybrid Plug & Play connections for almost effortless installation.



## KEY FEATURES

### Lumen output & Light source

Luminaire with 37 high-power, singlechip LEDs provides up to 3478 lumen output. Multiple LED colour variants. No light spills. Well homogenised light output with great efficacy up to 57 lm/w.

### Design & Durability

Compact, durable and stylish housing made of high-pressure die cast aluminium. IP67 for fixture, IP65 for its tube and IK10 certification; suitable for marine applications (Harsh Environment Finish required) and traffic applications. Supported with a 5 year warranty.

### Flexibility

Exceptional indoor and outdoor LED luminaire featuring three interchangeable lenses and nine textured glass options. Effects can be adjusted directly on site, offering virtually endless lighting possibilities.

### Connectivity

Utilising the innovative E-Box series of power and data interfaces, Calumma Arts M SC can communicate via numerous wired, wireless, and Ethernet based control protocols. Various wiring topologies are supported using hybrid power / data cables with Plug & Play connectors or standard connection options.

## CONTROL & PROTOCOLS

OPTIONAL	OPTIONAL	OPTIONAL	OPTIONAL



PW & SINGLE COLOUR ONLY

## COLOURS

### STANDARD

RGBW (6500 K)	RGBA	PW (3000 K)	TW (2200-3000 K)

### UPON REQUEST

RED	GREEN	BLUE	AMBER
2.200 K	2.700 K	3.000 K	4.000 K
6.500 K			

AVAILABLE COLOURS FOR CUSTOM SETUP

## STANDARD & SPECIFICATION

Tube	Fixture		
		Warranty with Registration	Vibration Standard for Bridge

## OPTIC OPTIONS

NO OPTICS	10°

## LENSES

ARC	FRACTAL	LINE

## TEXTURED GLASS

HAMMERED	DIAMOND	MATRIX	CUBE
DEWDROP	FLORENTINE	CATHEDRAL	RIPPLE
STREAM	AEROLITE	FLUTES	LISTRAL

## FINISH OPTIONS

\* CLOSEST RAL TONE  
\* HE = Harsh Environment

Graphite Black RAL 9011*	Grey Aluminium RAL 9007	Sandstone RAL 1014*	Pure White RAL 9010
HE Graphite Black RAL 9011*	HE Grey Aluminium RAL 9007	HE Sandstone RAL 1014*	HE Pure White RAL 9010
Custom Paint Colour			

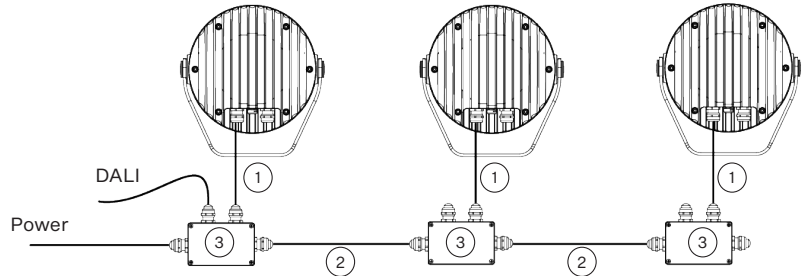
**SPECIFICATION**

<b>ELECTRICAL</b>	Input Voltage	120–277 V AC 50/60 Hz (US)		
	Typical Power Consumption	60 W +/-10 %		
<b>OPTICAL</b>	Light Source	37x High Power Single Chip LEDs		
	Colour Variants	RGBW (W - 6500 K)   RGBA   Pure White (W - 3000 K)   Tuneable White (2200–3000 K) <b>Custom Setup On Request:</b> Red, Green, Blue, Amber, 2200 K, 2700 K, 3000 K, 4000 K, 6500 K		
	Beam Angle	10°   No Optics		
	Lumen Output Delivered	3478 lm (@10° RGBW) <b>TBC</b>		
	Projected Lumen Maintenance	L90B10 >90.000 hrs, Ta = 25°C / 77°F		
<b>CONTROL</b>	Interface Protocol	Via E-Box range, DMX/RDM, wireless DMX, DALI 2 or ON/OFF (PW & single colour only)		
	E-box control protocol	USITT DMX512+RDM, ArtNet, MA Net, MA Net2, sACN, Kling-Net		
	DALI 2 Device Type	DT 8		
	Wireless DMX (Option)	Lumen Radio CRMX Technology		
	Control System	Third Party DMX Controllers or third party DALI 2 controllers, Ethernet		
	Operating Modes	DMX, Stand-alone		
	Settings / Addressing	E-Box, RDM communicator		
	Power Supply	Integrated		
<b>PHYSICAL</b>	Width x Height x Depth   Weight	264 x 278 x 266 mm (10.4 x 10.94 x 10.47 in.)   9.6 kg (21.2 lbs)		
	Housing	High Pressure Die-Cast Aluminium Body   Tempered Glass		
	Finish Options	Standard Colour	Graphite Black RAL 9011   Grey Aluminium RAL 9007 Pure White RAL 9010   Sandstone RAL 1014	
		Standard Colour Harsh Environment	Graphite Black RAL 9011   Grey Aluminium RAL 9007 Pure White RAL 9010   Sandstone RAL 1014	
		Cost Option	Custom RAL	
	Cables / Connections	<b>IN/OUT (for E- Box version):</b> - 0.5 m cables with hybrid connectors - Jumper cables	<b>IN (for DMX, DALI, ON/OFF):</b> - 1 m cable with bare end - Other cable length - custom - Junction box - optional	
	Mounting Method	Yoke or Yoke for Pole Adaptor		
	Adjustability	+180° / -180°		
	Protection Factor	IP67 (fixture) / IP65 (tube) / Suitable For Wet Locations		
	IK Rating	IK10		
Cooling System	Convection			
Operating Ambient Temperature	-20°C / +50°C (-4°F / +122°F)			
<b>CERTIFICATION</b>	Listings	ETL / cETL, CE, RoHS, UKCA		
<b>ACCESSORIES</b>	<b>Not Included Items</b>	Junction Box for Calumma S–XL / Eminere (CE or US)		
		Land Spike for Calumma M		
		Re-enterable Electrical Insulating Resin		
		Floor Stand for Calumma Arts M		
		Pole Adaptor (ø 102mm) (Yoke for Pole Adaptor Required)		
		<b>Lenses for Calumma Arts M</b>	Fractal Lens   ARC Lens   Line Lens	
<b>Textured Glass for Calumma Arts M</b>	Hammered Glass   Diamond Glass   Matrix Glass   Cube Glass   DewDrop Glass   Florentine Glass   Cathedral Glass   Ripple Glass   Stream Glass   Aerolite Glass Flutes Glass   Lustral Glass			

**CONTROL AND CONNECTION OPTIONS - CE**

**DALI**

- 1) Hybrid Cable (13053693) Standard 1 m with bare-end, black or on request Hybrid cable (13053697), 1 m with bare-end, white
- 2) Hybrid Cable (13053693) Standard 1 m with bare-end, black or on request Hybrid cable (13053697), 1 m with bare-end, white or Scope of Others
- 3) Junction Box

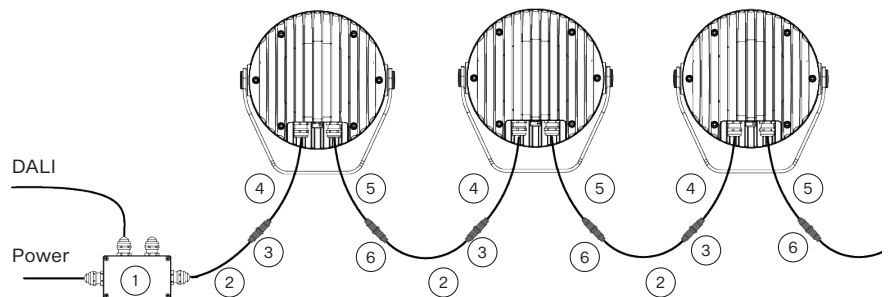


- 1) Junction Box
- 2) Hybrid Cable (13053693) Standard 1 m with bare-end, black or on request Hybrid Cable (13053697), 1 m with bare-end, white
- 3) Field Installable Connector FF DC-05 (13053971)

- 4) Hybrid Cable (13053693), black, Standard 0.5 m with Field Installable Connector MM DC-05 (13053972), black or on request Hybrid Cable (13053697), white, 0.5 m with Field Installable Connector MM DC-05 (13053972), black

- 5) Hybrid Cable (13053693), black, Standard 0.5 m with Field Installable Connector FF DC-05 (13053971), black or on request Hybrid Cable (13053697), white, 0.5 m with Field Installable Connector FF DC-05 (13053971), black

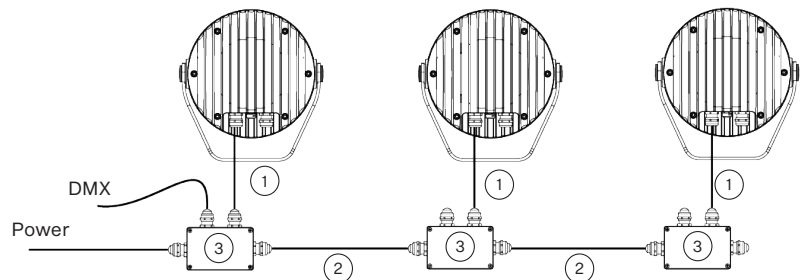
- 6) Field Installable Connector MM DC-05 (13053972)



**Note: The last unplugged connector must be fitted with a Waterproof Cap to protect the IP rating.**

**DMX**

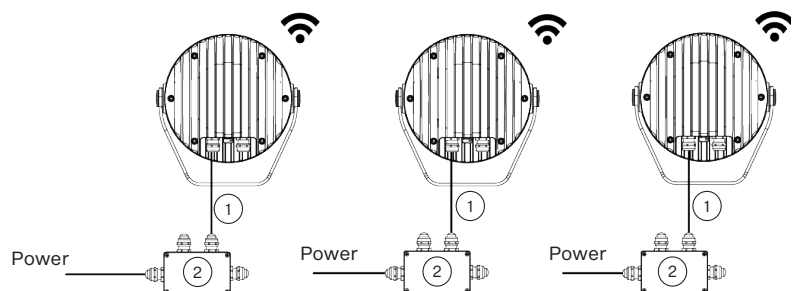
- 1) Flamar 3x16 AWG + 1x(2x24 AWG) - (13051508), Standard 1 m with bare-end, black or HYB-5731ZH LSZH (13053694), Hybrid Cable, white
- 2) Flamar 3x16 AWG + 1x(2x24 AWG) - (13051508), black or HYB-5731ZH LSZH (13053694), Hybrid Cable, white or Scope of Others
- 3) Junction Box



**WIRELESS DMX**

- 1) Flamar 3x16 AWG + 1x(2x24 AWG) - (13051508), Standard 1 m with bare-end, black or HYB-5731ZH LSZH (13053694), Hybrid Cable, white
- 2) Junction Box

**Note: This type of connection is available for M, L, XL versions.**

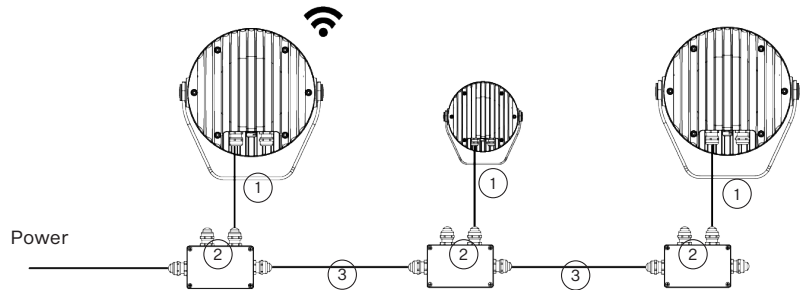


**CONTROL AND CONNECTION OPTIONS - CE**

**WIRELESS DMX**

- 1) Flamar 3x16 AWG + 1x(2x24 AWG) - (13051508), Standard 1 m with bare-end, black or HYB-5731ZH LSZH (13053694), Hybrid Cable, white
- 2) Junction Box
- 3) Flamar 3x16 AWG + 1x(2x24 AWG) - (13051508), black or HYB-5731ZH LSZH (13053694), Hybrid Cable, white or Scope of Others

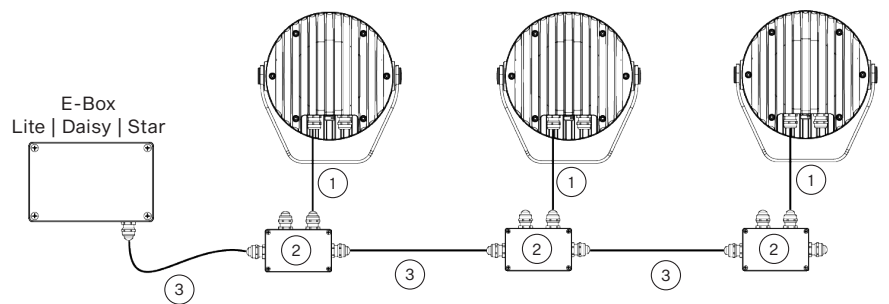
**Note: This type of connection must have M, L or XL versions as the first luminaire. Next luminaires in a row could be chosen from S, M, L or XL versions.**



**DMX or ETHERNET via E-BOX**

- 1) Flamar 3x16 AWG + 1x(2x24 AWG) - (13051508), Standard 1 m with bare-end, black or HYB-5731ZH LSZH (13053694), Hybrid Cable, white
- 2) Junction Box
- 3) Flamar 3x16 AWG + 1x(2x24 AWG) - (13051508), black or HYB-5731ZH LSZH (13053694), Hybrid Cable, white or Scope of Others

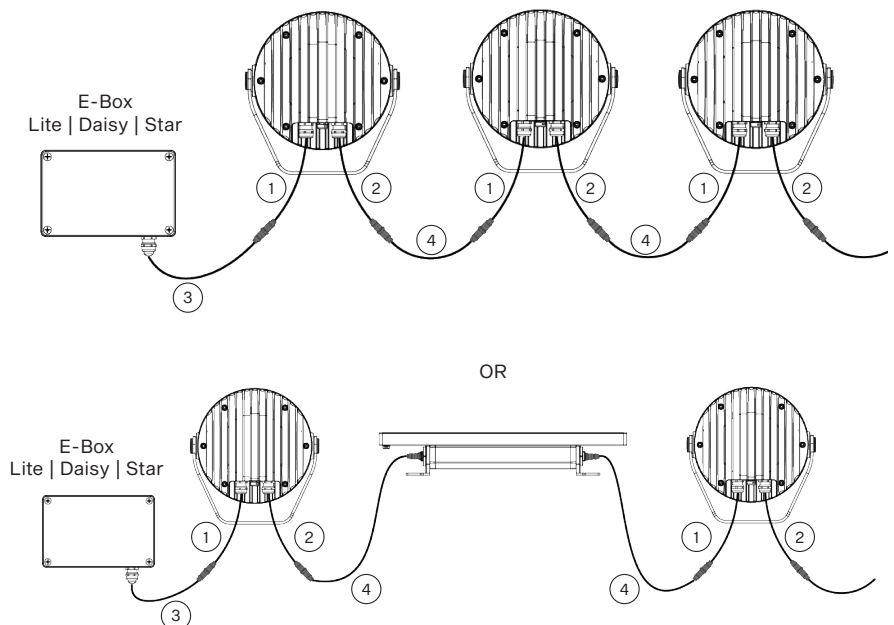
**Note: This type of connection is available for S, M, L, and XL versions. E-Box has to be in Pass Through mode only.**



**DMX or ETHERNET via E-BOX**

- 1) Leader Cable MM (13053493) Standard 0.5 m with Hybrid Connector
- 2) Leader Cable MF (13053494) Standard 0.5 m with Hybrid Connector
- 3) Leader Cable FF 2 m (13053438)  
Leader Cable FF 5 m (13053440)  
Leader Cable FF 10 m (13053436)  
Leader Cable FF 25 m (13053437)  
Leader Cable FF 50 m (13053439)
- 4) Jumper Cable FF/FM 0.25 m (13053422)  
Jumper Cable FF/FM 0.5 m (13053423)  
Jumper Cable FF/FM 1 m (13053425)  
Jumper Cable FF/FM 2 m (13053427)  
Jumper Cable FF/FM 3 m (13053428)  
Jumper Cable FF/FM 5 m (13053430)  
Jumper Cable FF/FM 10 m (13053424)

**Note: With this type of connection is possible to connect Calumma (M, L, XL) and Eminere (Eminere, Eminere Side) luminaires in a row.**

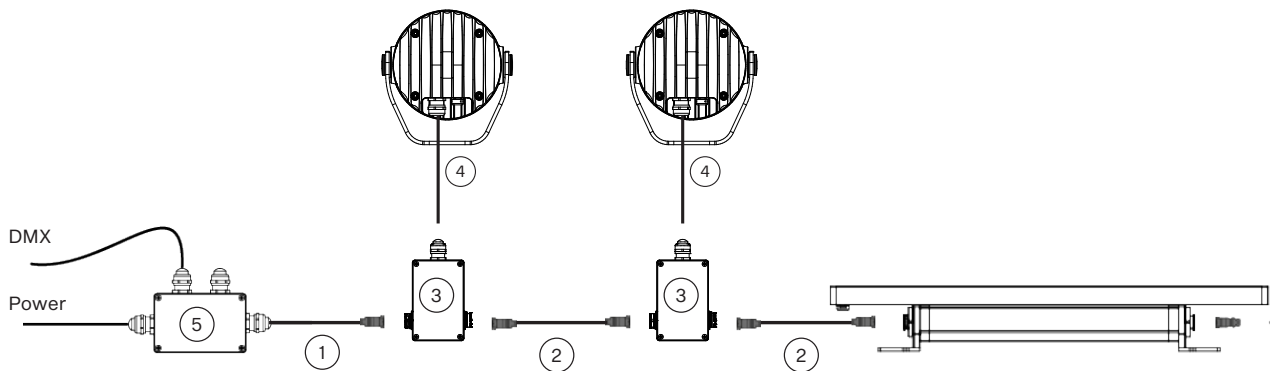


**CONTROL AND CONNECTION OPTIONS - CE**

**DMX WITH JUNCTION BOX FOR CALUMMA M / EMINERE (CE)**

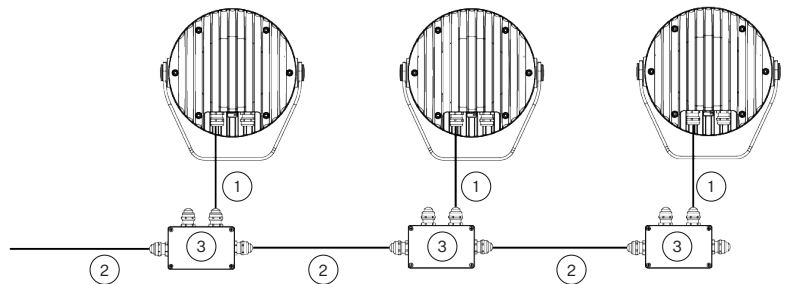
- 1) Leader Cables FF - 2 | 5 | 10 | 25 | 50 m
- 2) Jumper Cables FF/FM - 0.25 | 0.5 | 1 | 2 | 3 | 5 | 10 m
- 3) Junction Box for Calumma S-XL / Eminere CE (10981268 for RAL9011)
- 4) Flamar 3x16 AWG + 1x(2x24 AWG) - (13051508), Standard 1 m with bare-end, black or HYB-5731ZH LSZH (13053694), Hybrid Cable, white
- 5) Junction Box

**Note: The last unplugged connector must be fitted with a Waterproof Cap to protect the IP rating.**



**ON/OFF**

- 1) H07BB-F 3G 1.5 (13050919), 3-cored cable, Standard 1 m with bare-end, black
- 2) H07BB-F 3G 1.5 (13050919), 3-cored cable, Standard 1 m with bare-end, black or Scope of Others
- 3) Junction Box or Scope of Others

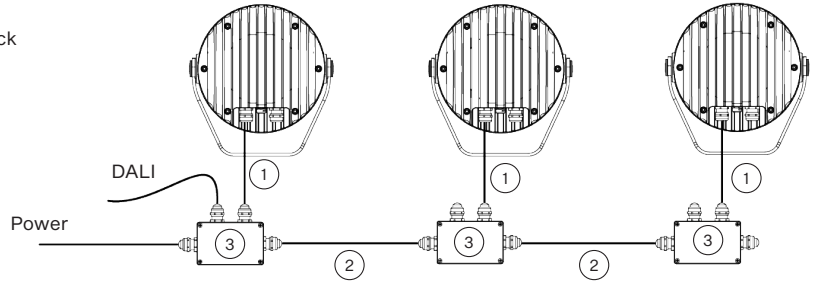


**Note: This type of connection is available for Pure White and single color version only. Non dimmable.**

**CONTROL AND CONNECTION OPTIONS - US**

**DALI**

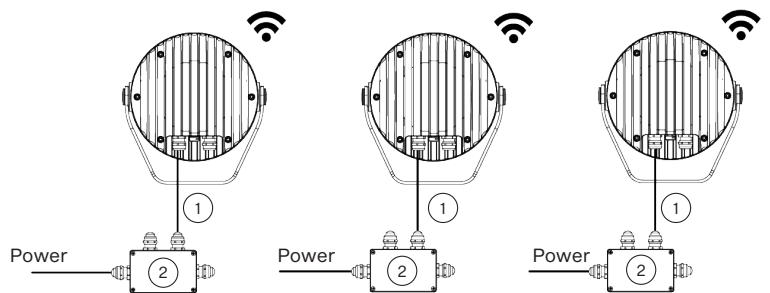
- 1) SJTW 5x14 AWG (13053693), Standard 1 m with bare-end, black or Cable SJTW 5x14 AWG (13053697), white
- 2) SJTW 5x14 AWG (13053693), black or Cable SJTW 5x14 AWG (13053697), white or Scope of Others
- 3) Junction Box



**WIRELESS DMX**

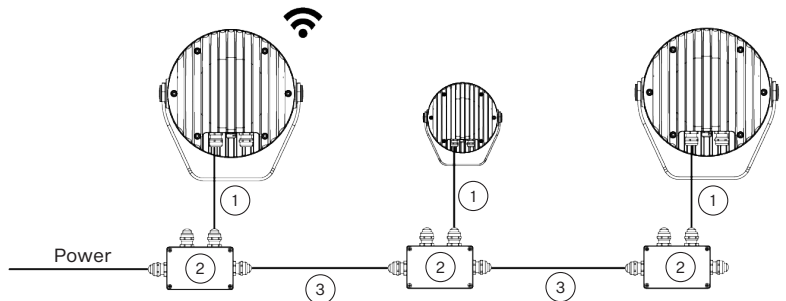
- 1) SJTW 6x14 AWG (13053480), Standard 1 m with bare-end, black or Cable SJTW 6x14 AWG (13053695), white
- 2) Junction Box

**Note: This type of connection is available for M, L, XL versions**



- 1) SJTW 6x14 AWG (13053480), Standard 1 m with bare-end, black or Cable SJTW 6x14 AWG (13053695), white
- 2) Junction Box
- 3) SJTW 6x14 AWG (13053480), black or Cable SJTW 6x14 AWG (13053695), white or Scope of Others

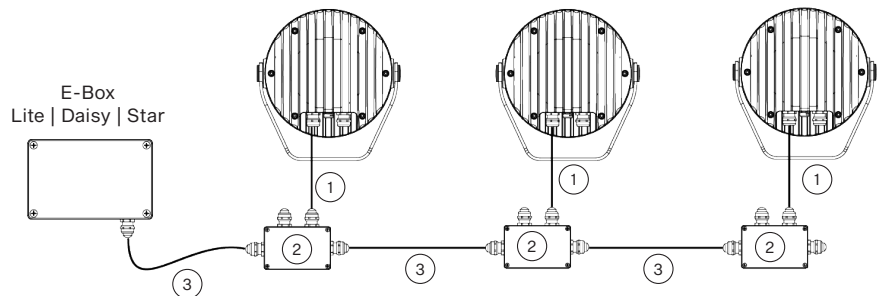
**Note: This type of connection must have M, L or XL versions as the first luminaire. Next luminaires in a row could be chosen from S, M, L or XL versions.**



**DMX or ETHERNET via E-BOX**

- 1) SJTW 6x14 AWG (13053480) Standard 1 m with bare-end, black or Cable SJTW 6x14 AWG (13053695), white
- 2) Junction Box
- 3) SJTW 6x14 AWG (13053480), black or Cable SJTW 6x14 AWG (13053695), white or Scope of Others

**Note: This type of connection is available for S, M, L, and XL versions. E-Box has to be in Pass Through mode only.**

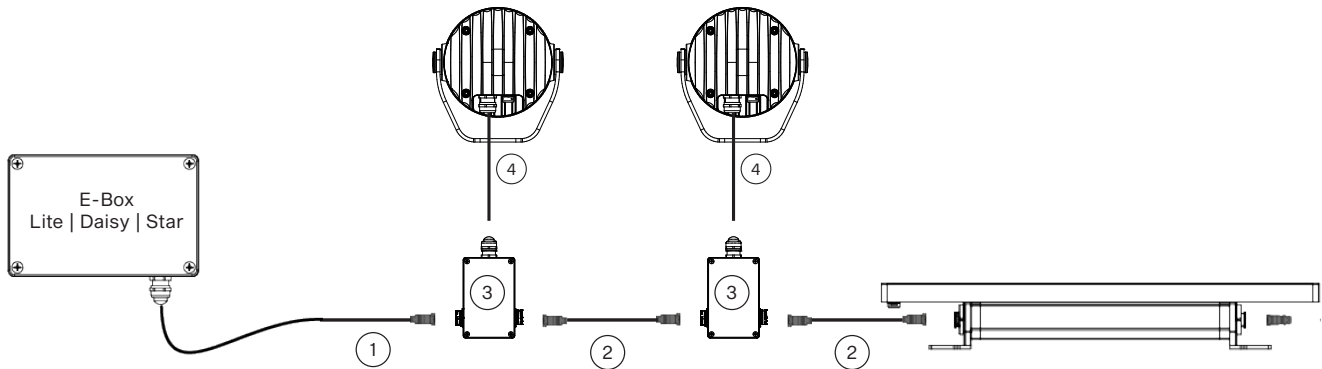


**CONTROL AND CONNECTION OPTIONS - US**

**DMX WITH JUNCTION BOX FOR CALUMMA M / EMINERE (US)**

- 1) Leader Cables FF - 2 | 5 | 10 | 25 | 50 m
- 2) Jumper Cables FF/FM - 0.25 | 0.5 | 1 | 2 | 3 | 5 | 10 m
- 3) Junction Box for Calumma S-XL / Eminere US (10981269 for RAL9011)
- 4) SJTW 6x14 AWG (13053480) Standard 1 m with bare-end, black or Cable SJTW 6x14 AWG (13053695), white

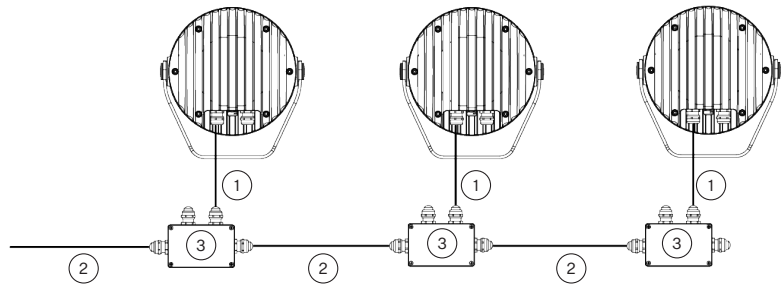
**Note: The last unplugged connector must be fitted with a Waterproof Cap to protect the IP rating.**



**ON/OFF**

- 1) SEOOW power 3x16 AWG (13051558-01), 3-cored cable, Standard 1 m with bare-end, black
- 2) SEOOW power 3x16 AWG (13051558-01), 3-cored cable, Standard 1 m with bare-end, black or Scope of Others
- 3) Junction Box or Scope of Others

**Note: This type of connection is available for Pure White & single color version only. Non dimmable.**



## CONNECTIVITY

Following table shows maximum connected Calummas Arts M SC in a row with respect of cable length.

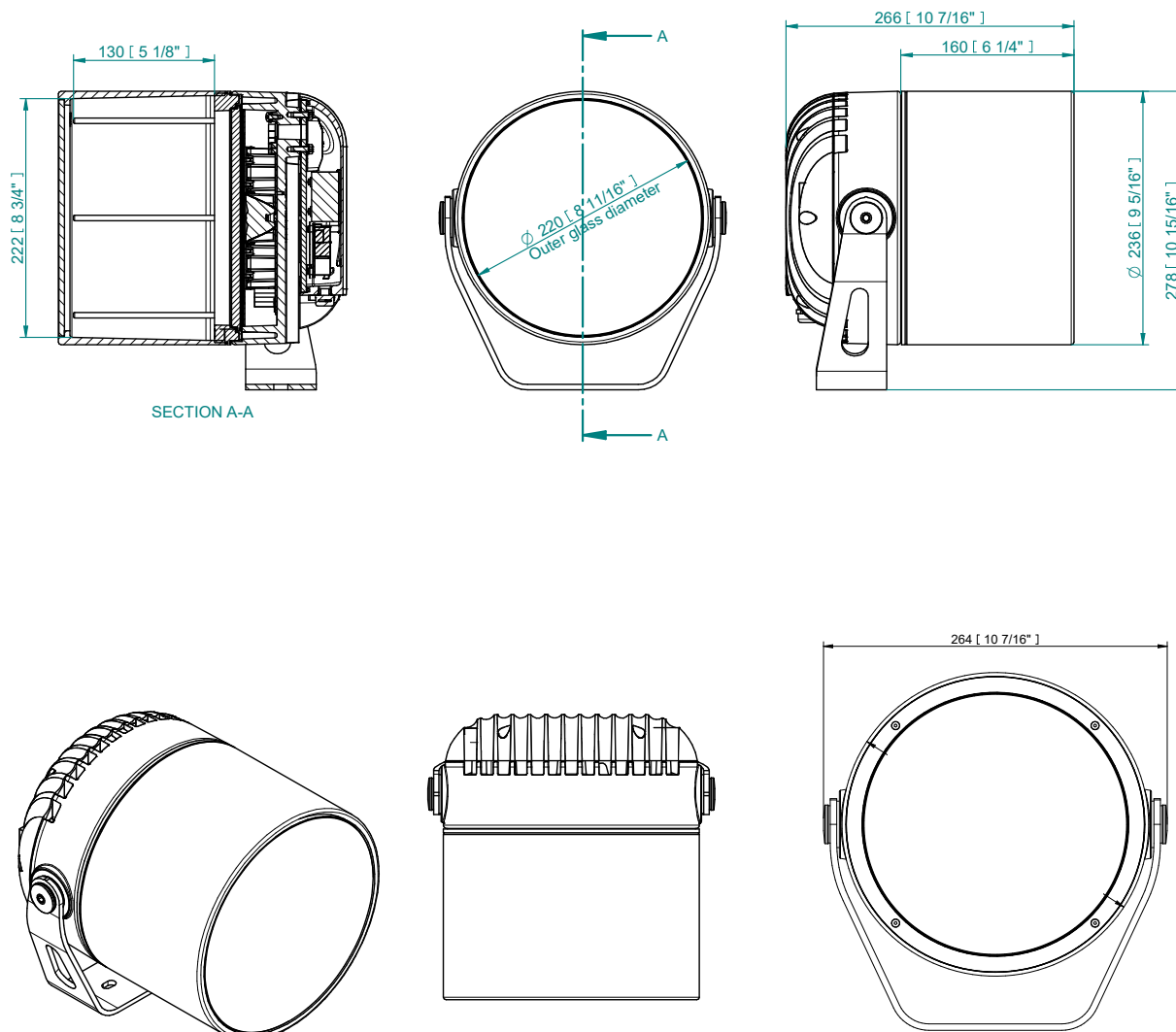
STANDARD MODE	Cable length (m)	Voltage (V)				PASS-THROUGH MODE	Cable length (m)	Voltage (V)				
		120	190	230	277			120	190	230	277	
CALUMMA M SC	10	30	48	58	70	CALUMMA M SC	10	30	32	32	32	
	20	30	48	58	70		20	30	32	32	32	
	30	21	48	58	70		30	21	32	32	32	
	50	13	32	47	68		50	13	32	32	32	
	70	9	23	34	49		70	9	23	32	32	
	100	6	16	24	34		100	6	16	24	32	
	200	3	8	12	17							
	500	1	3	5	7							

## BOOSTER BOX POSITIONS

Cable length (m)	Max. number of Calummas M SC= 191 (in Standard mode)			
	120 V	190 V	230 V	277 V
10 m	30	-	-	-
20 m	30, 60	48	58	70
30 m	21, 42, 63, 84, 105, ...	48, 96	58	70
50 m	13, 26, 39, 52, 65, 78, 91...	32, 64, 96, 128, 158, 180...	47, 94, 141, 188...	68, 136
70 m	9, 18, 27, 36, 45, 54, 63....	23, 46, 69, 92, 115...	34, 68, 102, 136...	49, 98, 147, 196..
100 m	16, 12, 18, 24, 30, 36, 42, 48, 54, 60, 66, 72, 78, 84, 90, 96, 102....	16, 32, 48, 64, 80, 96, 112, 128, 144...	24, 48, 72, 96, 120...	34, 68, 102, 136...
200 m	3, 6, 9, 12, 15, 18, 21, 24, 27, 30, 33, 36, 39, 42, 45, 48, 51, 54, 57, 60, 63, 66, 69, 72, 75, 78, 81...	8, 16, 24, 32, 40, 48, 56, 64, 72, 80, 88, 96....	12, 24, 48, 56, 64, 76, 88, 100...	17, 34, 51, 68, 85, 102
500 m	1, 2, 3, 4, 5, 6, 7, 8, 9, 10, 11....	3, 6, 9, 12, 15, 18, 21, 24, 27, 30, 33, 36, 39, 42, 45, 48....	5, 10, 15, 20, 25, 30, 35, 40...	7, 14, 21, 28, 35, 42, 49, 56, 63, 70, 77...

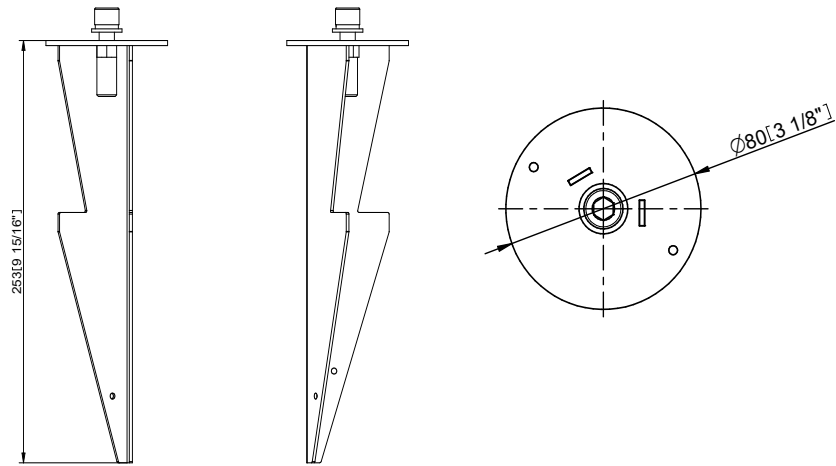
NOTE: For more detail see the User manual.

DIMENSIONS

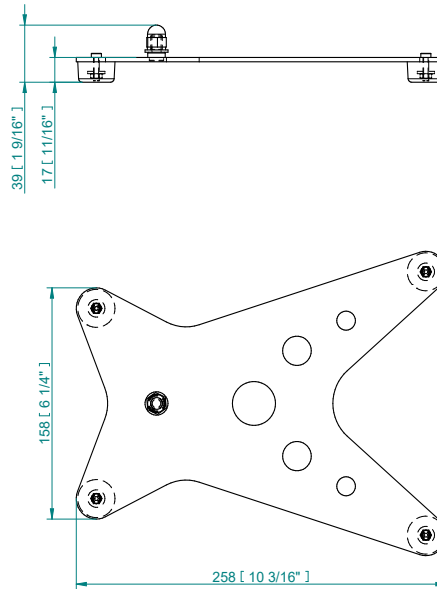


ACCESSORIES

Land Spike for Calumma (S, M, L, XL)



Floor Stand for Calumma Arts M



Pole Adaptor (ø 102mm)

