

CALUMMA™ URBAN M

Introducing our new Calumma featuring an asymmetrical side and forward beam angle, the perfect addition to our existing series of lighting solutions providing efficient and targeted illumination without any light spill. The asymmetrical side and forward beam angle allows for precise control of the light distribution, ensuring the desired area is well-lit while minimizing glare and light pollution. This feature makes it an ideal choice for various outdoor applications, such as pathways, parks, architectural accents, and landscape lighting. Upgrade your outdoor lighting experience with our cutting-edge Calumma Urban, and enjoy the perfect balance of functionality, efficiency, and style.



KEY FEATURES

Lumen output & Light source

Luminaire with 32 high-power, singlechip LEDs provides 2957 lumen output (@ RGBW, W - 6500K, Asymmetrical Forward). Multiple LED colour variants. No light spills. Well homogenised light output.

Design & Durability

Compact, durable and stylish housing made of high-pressure die cast aluminium. IP67 and IK10 certification; suitable for marine applications (Harsh Environment Finish required) and traffic applications. Supported with a 5 year warranty.

Flexibility

Exceptional outdoor or indoor LED luminaire with a custom colour finishes and multiple light output variant.

Connectivity

Utilising the innovative E-Box series of power and data interfaces, Calumma Urban M can communicate via numerous control protocols.

COLOURS

STANDARD



RGBW
(6500 K)



RGBA



PW
(3000 K)



TW
(2200-3000 K)

UPON REQUEST

AVAILABLE COLOURS
FOR CUSTOM SETUP



RED



GREEN



BLUE



AMBER



2.200 K



2.700 K



3.000 K



4.000 K



6.500 K

STANDARD & SPECIFICATION



IP67



IK10



CE



ETL



ROHS



UK
CA



5
YEAR

Warranty
with
Registration



VIBRATION
STANDARD

Vibration
Standard
for Bridge

OPTIC OPTIONS

ASYMMETRICAL



Asymmetrical
Forward



Asymmetrical
Side

CONTROL & PROTOCOLS



DMX
RDM

OPTIONAL



VIA
E-BOX

OPTIONAL



DALI

OPTIONAL

FINISH OPTIONS

* CLOSEST RAL TONE
* HE = Harsh Environment



Graphite Black
RAL 9011*



Grey Aluminium
RAL 9007



Sandstone
RAL 1014*



Pure White
RAL 9010



HE
Graphite Black
RAL 9011*



HE
Grey Aluminium
RAL 9007



HE
Sandstone
RAL 1014*



HE
Pure White
RAL 9010



RAL

Custom
Paint Colour

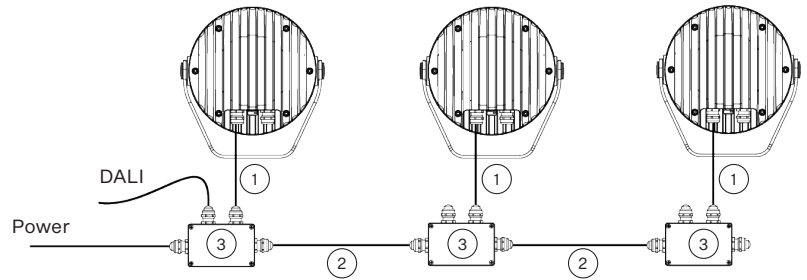
SPECIFICATION

ELECTRICAL	Input Voltage	120-277 V AC 50/60 Hz (US)	
	Typical Power Consumption	60 W +/-10 %	
OPTICAL	Light Source	High Power Single Chip LEDs	
	Colour Variants	RGBW (W - 6500 K) RGBA Pure White (W - 3000 K) Tuneable White (2200–3000 K) Custom Setup On Request: Red, Green, Blue, Amber, 2200 K, 2700 K, 3000 K, 4000 K, 6500 K	
	Beam Angle	Asymmetrical Side Asymmetrical Forward	
	Lumen Output Delivered	2957 lm (@ RGBW, W - 6500 K, Asymmetrical Forward)	
	Projected Lumen Maintenance	L90B10 >90.000 hrs, Ta = 25°C / 77°F	
CONTROL	Interface Protocol	Via E-box range, DMX/RDM, DALI 2 or ON/OFF (PW & single colour only)	
	E-box control protocol	USITT DMX512+RDM, ArtNet, MA Net, MA Net2, sACN, Kling-Net	
	DALI 2 Device Type	DT 8	
	Control System	Third Party DMX Controllers or third party DALI 2 controllers, Ethernet	
	Operating Modes	DMX, Stand-alone	
	Settings / Addressing	E-Box, RDM communicator	
	Power Supply	Integrated	
PHYSICAL	Width x Height x Depth	264 x 278 x 106 mm (10.4 x 10.94 x 4.17 in.)	
	Weight	6.8 kg 15 lbs	
	Housing	High Pressure Die-Cast Aluminium Body	
		Tempered Glass	
	Finish Options	Standard Colour	Graphite Black RAL 9011 Grey Aluminium RAL 9007 Pure White RAL 9010 Sandstone RAL 1014
		Standard Colour Harsh Environment	Graphite Black RAL 9011 Grey Aluminium RAL 9007 Pure White RAL 9010 Sandstone RAL 1014
		Cost Option	Custom RAL
	Cables / Connections	IN (for DMX, DALI): 1m cable, bare end (custom length on request) Junction Box (optional)	
	Mounting Method	Yoke or Yoke for Pole Adaptor	
	Adjustability	+180° / -180°	
Protection Factor	IP67 / Suitable For Wet Locations		
IK Rating	IK10		
Cooling System	Convection		
Operating Ambient Temperature	-20°C / +50°C (-4°F / +122°F)		
CERTIFICATION	Listings	ETL / cETL, CE, RoHS, UKCA	
ACCESSORIES	Not Included Items		
	Junction Box (CE or US)		
	Tenon Adaptor		
	Floor Stand for Calumma S, M		
	Pole Adaptor (ø 102mm) (Yoke for Pole Adaptor Required)		

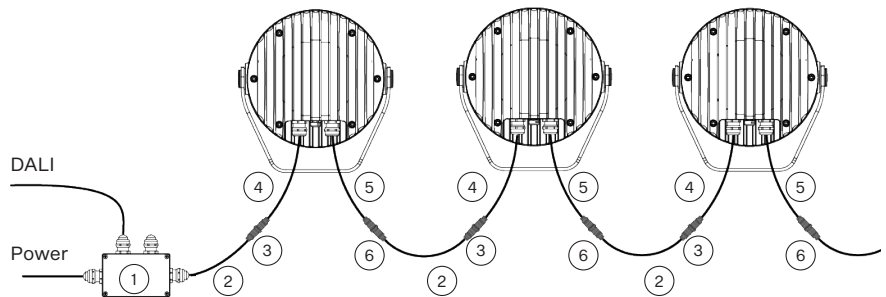
CONTROL AND CONNECTION OPTIONS - CE

DALI

- 1) Hybrid Cable (13053693) Standard 1 m with bare-end, black or on request Hybrid cable (13053697), 1 m with bare-end, white
- 2) Hybrid Cable (13053693) Standard 1 m with bare-end, black or on request Hybrid cable (13053697), 1 m with bare-end, white or Scope of Others
- 3) Junction Box



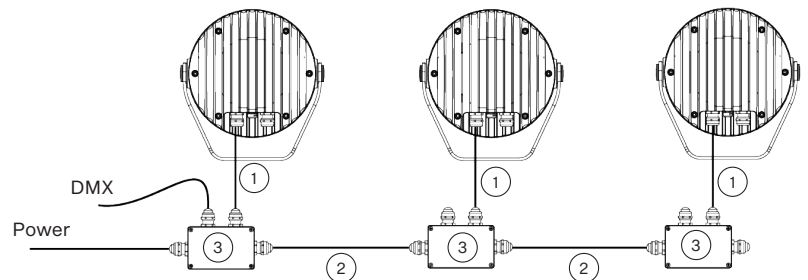
- 1) Junction Box
- 2) Hybrid Cable (13053693) Standard 1 m with bare-end, black or on request Hybrid cable (13053697), 1 m with bare-end, white
- 3) Field Installable Connector FF DC-05 (13053971)
- 4) Hybrid Cable (13053693), black, standard 0.5 m with Field Installable Connector MM DC-05 (13053972), black
or on request Hybrid cable (13053697), white, 0.5 m with Field Installable Connector MM DC-05 (13053972), black
- 5) Hybrid Cable (13053693), black, standard 0.5 m with Field Installable Connector FF DC-05 (13053971), black
or on request Hybrid cable (13053697), white, 0.5 m with Field Installable Connector FF DC-05 (13053971), black
- 6) Field Installable Connector MM DC-05 (1305 3972)



Note: The last unplugged connector must be fitted with a Waterproof Cap to protect the IP rating.

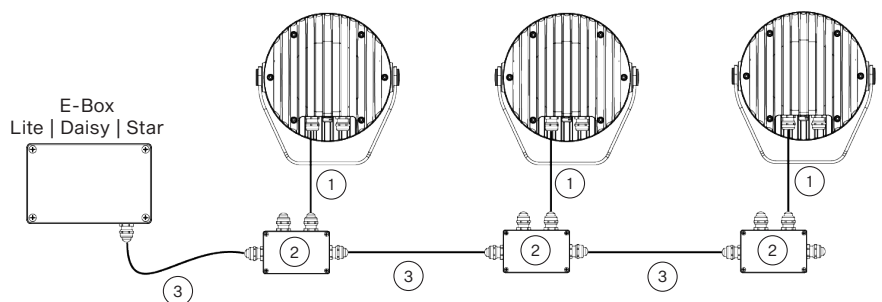
DMX

- 1) Flamar 3x16 AWG + 1x(2x24 AWG) - (13051508), Standard 1 m with bare-end, black or HYB-5731ZH LSZH (13053694), Hybrid Cable, white
- 2) Flamar 3x16 AWG + 1x(2x24 AWG) - (13051508), black or HYB-5731ZH LSZH (13053694), Hybrid Cable, white or Scope of Others
- 3) Junction Box



DMX or ETHERNET via E-BOX

- 1) Flamar 3x16 AWG + 1x(2x24 AWG) - (13051508), Standard 1 m with bare-end, black or HYB-5731ZH LSZH (13053694), Hybrid cable, white
- 2) Junction Box
- 3) Flamar 3x16 AWG + 1x(2x24 AWG) - (13051508), black or HYB-5731ZH LSZH (13053694), Hybrid cable, white or Scope of Others

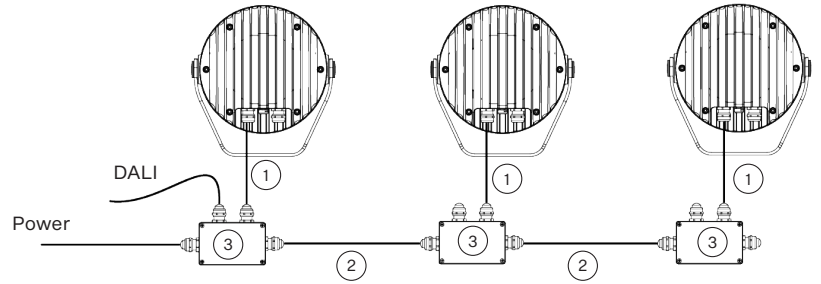


Note: This type of connection is available for S, M, L, and XL versions. E-Box has to be in Pass Through mode only.

CONTROL AND CONNECTION OPTIONS - US

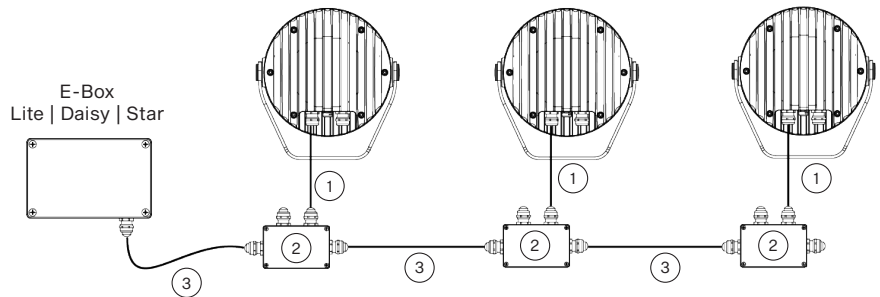
DALI

- 1) SJTW 5x14 AWG (13053693), Standard 1 m with bare-end, black or Cable SJTW 5x14 AWG (13053697), white
- 2) SJTW 5x14 AWG (13053693), black or Cable SJTW 5x14 AWG (13053697), white or Scope of Others
- 3) Junction Box



DMX or ETHERNET via E-BOX

- 1) SJTW 6x14 AWG (13053480), Standard 1 m with bare-end, black or Cable SJTW 6x14 AWG (13053695), white
- 2) Junction Box
- 3) SJTW 6x14 AWG (13053480), black or Cable SJTW 6x14 AWG (13053695), white or Scope of Others



Note: This type of connection is available for S, M, L, and XL versions. E-Box has to be in Pass Through mode only.

CONNECTIVITY

Following table shows maximum connected Calummas Urban M in a row with respect of cable length.

STANDARD MODE	Cable length (m)	Voltage (V)			
		120	190	230	277
CALUMMA URBAN M	10	30	48	58	70
	20	30	48	58	70
	30	21	48	58	70
	50	13	32	47	68
	70	9	23	34	49
	100	6	16	24	34
	200	3	8	12	17
	500	1	3	5	7

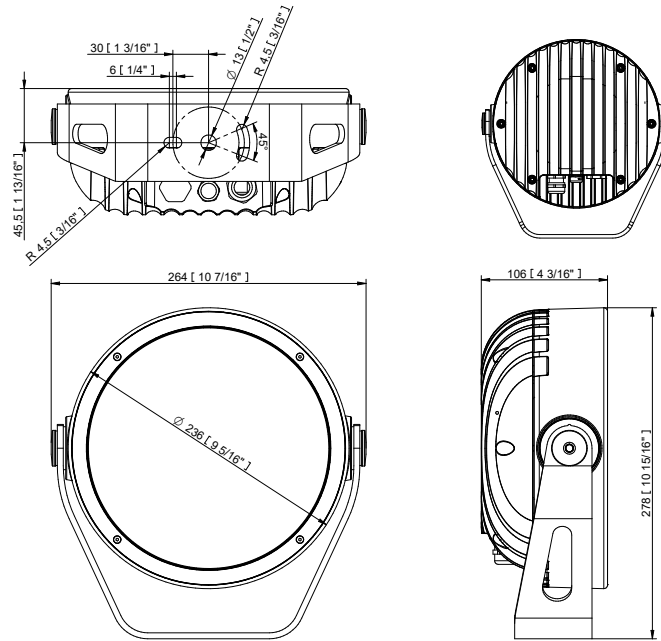
PASS-THROUGH MODE	Cable length (m)	Voltage (V)			
		120	190	230	277
CALUMMA URBAN M	10	30	32	32	32
	20	30	32	32	32
	30	21	32	32	32
	50	13	32	32	32
	70	9	23	32	32
	100	6	16	24	32

PROJECTED AREA

	Front (rear) - m ²	Front (rear) ft ²	Side - m ²	Side - ft ²	Top - m ²	Top - ft ²
Calumma M	0,047	0,500	0,026	0,280	0,024	0,258

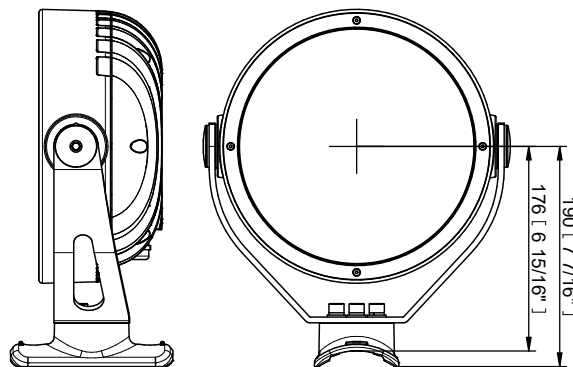
DIMENSIONS

Standard Yoke



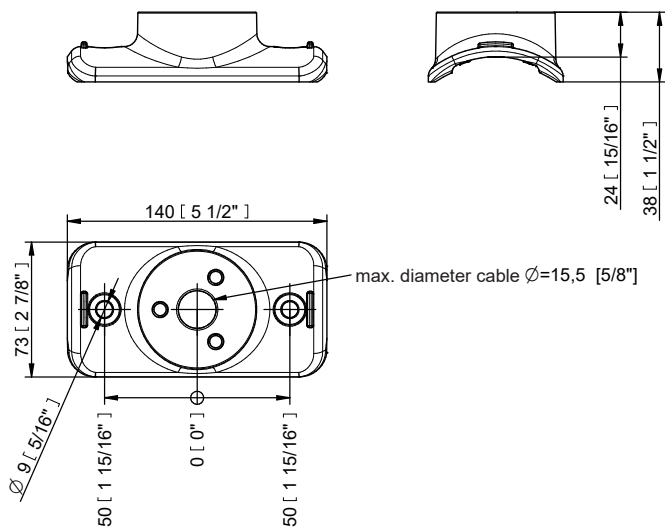
Yoke for Pole Adaptor (with Pole Adaptor / PA)

Example of ordering code: Calumma Urban M RGBCW Side PA



ACCESSORIES

Pole Adaptor (ø 102mm; with Pole Adaptor / PA)



Floor Stand

