

LAMARI™ 1 / 2 / 3 / 4 MC

Our linear LED fixture is the ideal choice for professional lighting, offering outstanding color mixing, particularly in the multichip version. For enhanced safety, the fixture operates at 48V and is controlled via DALI 2 and E-Box Remote series controllers. The fixture's body is made from durable aluminum, boasting IK10 and IP67 ratings, ensuring high resistance to mechanical damage and harsh weather conditions. A wide range of beam angles is available, allowing precise adjustment to meet specific project requirements. The fixture is available in four length variants and offers multiple surface mounting options.



KEY FEATURES

Optic & Control

Advanced technology ensures precise blending of colours, especially in multichip versions. Choose from a variety of beam angles to suit different lighting needs. 48V operation for safe usage in various environments.

Compact design

At only 39 mm of total height, Lamari MC has been designed as a compact and slim LED luminaire suitable for any low-profile application. Available in four length options with multiple mounting configurations.

Durability

Thanks to its tempered glass and high-pressure, extruded aluminum housing, Lamari MC is IK10 and IP67 certified. For more extreme and marine applications, a harsh environment finish option is also available.

COLOURS



RGBW



RGBA

CONTROL & PROTOCOLS



REMOTE



REMOTE

FINISH OPTIONS

* CLOSEST RAL TONE
* HE = Harsh Environment



Graphite Black
RAL 9011*



Grey Aluminium
RAL 9007



Sandstone
RAL 1014*



Pure White
RAL 9010



HE Graphite Black
RAL 9011*



HE Grey Aluminium
RAL 9007



HE Sandstone
RAL 1014*



HE Pure White
RAL 9010



RAL
Custom Paint Colour

OPTIC OPTIONS

SYMMETRICAL



15°



25°



35°



50°



65°



100°

BI-SYMMETRICAL



15°x40°



15°x70°



20°x45°



20°x80°



35°x110°



40°x65°

STANDARD & SPECIFICATION



SPECIFICATION

| | | | | |
|--|--|--|--|---|
| ELECTRICAL | Input Voltage | 48 V | | |
| | Typical Power Consumption | Lamari MC 1: 10 W | Lamari MC 2: 20 W | |
| | | Lamari MC 3: 30 W | Lamari MC 4: 40 W | |
| OPTICAL | Light Source | Lamari MC 1 / 2 / 3 / 4: 10 / 20 / 30 / 40 Mid Power LEDs | | |
| | Colour Variants | RGBW (W - 6.500 K) RGBA | | |
| | Beam Angle | Symmetrical: | 15° 25° 35° 50° 65° 100° | |
| | | Bi-symmetrical: | 15°x40° 15°x70° 20°x45° 20°x80° 35°x110° 40°x65° | |
| | Linear Louvre (Low Glare Accessories) - Available For | Symmetrical: | 15° 25° | |
| | | Bi-symmetrical: | 15°x40° 15°x70° 20°x45° 20°x80° 35°x110° | |
| | Lumen Output Delivered | Lamari MC 1: 509 lm, (MC, RGBA @3000K) TBC | Lamari MC 3: 1527 lm, (MC, RGBA @3000K) TBC | |
| Lamari MC 2: 1018 lm, (MC, RGBA @3000K) TBC | | Lamari MC 4: 1627 lm, (MC, RGBA @3000K) TBC | | |
| Projected Lumen Maintenance | L90B10 >90.000 hrs, Ta = 25°C / 77°F | | | |
| CONTROL | Interface Protocol | Via E-Box Remote range, DALI 2 | | |
| | E-Box Remote Control Protocols | USITT DMX512, RDM, ArtNet, MA Net, MA Net2, sACN, Kling-Net | | |
| | Operating Modes | Pixel (per 1/2 Foot) or Fixture mode | | |
| | Setting/Addressing | Via Two Row LCD Display with Control Buttons on E-Box Remote or RDM communicator | | |
| | Power Supply | Via E-Box Remote range | | |
| | Connectivity | E-box Remote E-box Remote Basic | | |
| Width x Height x Length | | | Rear: | Side: |
| | Lamari MC 1 | 39.5 x 39 x 339 mm (1.56 x 1.54 x 13.35 in.) | | 39.5 x 39 x 339 mm (1.56 x 1.54 x 13.35 in.) |
| | Lamari MC 2 | 39.5 x 39 x 649 mm (1.56 x 1.54 x 25.55 in.) | | 39.5 x 39 x 649 mm (1.56 x 1.54 x 25.55 in.) |
| | Lamari MC 3 | 39.5 x 39 x 959 mm (1.56 x 1.54 x 37.76 in.) | | 39.5 x 39 x 959 mm (1.56 x 1.54 x 37.76 in.) |
| | Lamari MC 4 | 39.5 x 39 x 1269 mm (1.56 x 1.54 x 49.96 in.) | | 39.5 x 39 x 1269 mm (1.56 x 1.54 x 49.96 in.) |
| Weight 1 / 2 / 3 / 4 | 0.9 kg 2.0 lbs | 1.6 kg 3.5 lbs | 2.2 kg 4.9 lbs | 2.8 kg 6.2 lbs |
| Housing | High Pressure Extruded Aluminium Body End Caps – Die-Cast Aluminium Tempered Glass | | | |
| PHYSICAL | Finish Options | Standard Colour | Graphite Black RAL 9011* Grey Aluminium RAL 9007 Pure White RAL 9010 Sandstone RAL 1014* *Closest RAL Tone | |
| | | Standard Colour Harsh Environment | Graphite Black RAL 9011* Grey Aluminium RAL 9007 Pure White RAL 9010 Sandstone RAL 1014* *Closest RAL Tone | |
| | | Cost Option | Custom RAL | |
| Cables/Connections | IP67 Hybrid Connection (Power + Data) | | | |
| Mounting Method | Surface Mount With Different Type of Brackets | | | |
| Adjustability | +10° (With Standard Mounting Bracket) | | | |
| Protection Factor IK Rating | IP67 / Suitable For Wet Locations IK10 | | | |
| Cooling System | Convection | | | |
| Operating Ambient Temperature | -20°C / +40°C (-4°F / +104°F) | | | |
| Operating Temperature | +67°C @ Ambient +40°C (+153°F @ Ambient +104°F) | | | |
| CERTIFICATION | Listings | ETL / cETL, CE, RoHS, UKCA | | |
| ACCESSORIES | Included Items | Waterproof Cap for MM connector MINI-05 | | |
| | | Waterproof Cap for FF connector MINI-05 | | |
| | Not Included Items | Optical Demo Set for Lamari 1 2 3 4 | | |
| | | Wall Mount Brackets | | |
| | | Wall Mount Scissors Brackets | | |
| Shield for Lamari: | Rear 1 2 3 4 | Side 1 2 3 4 | | |
| Barndoors (with or without Side Covers) for Lamari 1 2 3 4 | | | | |

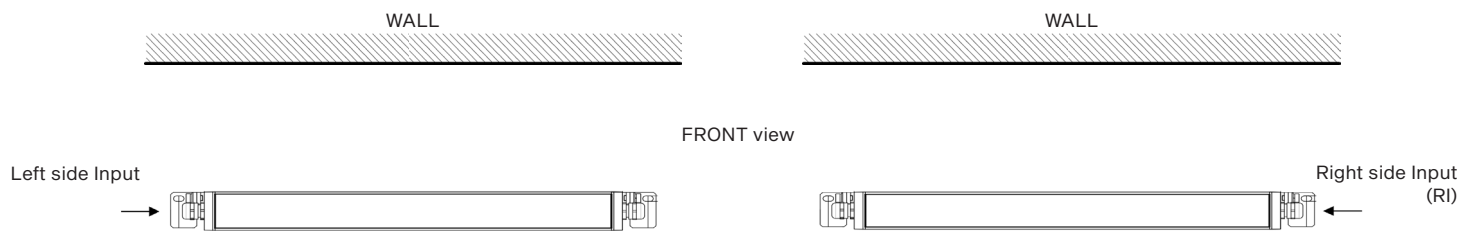
SPECIFICATION

| | CE | US |
|------------------------------|--|--|
| | DMX - CONNECTOR SOLUTION | DMX - CONNECTOR SOLUTION |
| | Cable SJTW 5x14 AWG (13053336), standard with bare-end, black - 1/3/5/10 m | Cable SJTW 5x14 AWG (13053336), standard with bare-end, black - 1/3/5/10 m |
| | Cable SJTW 5x14 AWG (13053697), with bare-end, white (on request) - 1/3/5/10 m | Cable SJTW 5x14 AWG (13053697), with bare-end, white (on request) - 1/3/5/10 m |
| | Leader CE Cable FF, 0.1 m, MINI-05 (13053978) | Cable UL 20969 (5x18 AWG) - (13054125) |
| | Jumper Cable CE/US MID-05 FF/MM (5x14 AWG), 0.5 m, (13054131) - 0.5/1/3/5 m | Jumper Cable CE/US MID-05 FF/MM (5x14 AWG), 0.5 m, (13054131) - 0.5/1/3/5 m |
| | Jumper Cable MINI-05 FF/MM (5x20 AWG), 0.5 m, (13053937-02) - 0.5/1/3/5/10 m | T-connector MID-05 MFF (13054130) |
| | Cable 5x20 AWG, 0.5 m, with connector MM (Lamari component) | Field Installable Connector MID-05 MM (14-22 AWG) - (13054126) |
| | Adaptor MID2MINI (13054149) | DMX - BARE-END |
| | T-connector MID-05 MFF (13054130) | Cable SJTW 5x14 AWG (13053336), standard with bare-end, black |
| | T-connector MINI-05 MFF (13053941-01) | Cable SJTW 5x14 AWG (13053697), with bare-end, white (on req.) |
| | Field Installable Connector MID-05 MM (14-22 AWG) - (13054126) | Cable UL 20969 (5x18 AWG) - (13054125) |
| | DMX - BARE-END | Junction Box Remote (1x Output) - (10980715) |
| | Cable SJTW 5x14 AWG (13053336), standard with bare-end, black - 1/3/5/10 m | Junction Box Remote (4x Output) - (10980716) |
| CABLES AND CONNECTORS | Cable SJTW 5x14 AWG (13053697), with bare-end, white (on request) - 1/3/5/10 m | |
| | Cable UL 20969 (5x20 AWG), 1 m, (13053481), black | |
| | Cable UL 20969 (5x20 AWG), 1 m, (13053696), white (on request) | |
| Not Included Items | Junction Box Remote (4x Output) - (10980716) | |
| | Junction Box Remote (1x Output) - (10980715) | |
| | DALI - CONNECTOR SOLUTION | |
| | Cable SJTW 5x14 AWG (13053336), standard with bare-end, black - 1/3/5/10 m | |
| | Cable SJTW 5x14 AWG (13053697), with bare-end, white (on request) - 1/3/5/10 m | |
| | Jumper Cable CE/US MID-05 FF/MM (5x14 AWG), 0.5 m, (13054131) - 0.5/1/3/5 m | |
| | T-connector MID-05 MFF (13054130) | |
| | Field Installable Connector MID-05 MM (14-22 AWG) - (13054126) | |
| | Junction Box Remote (1x Output) - (10980715) | |
| | DALI - BARE-END | |
| | Cable SJTW 5x14 AWG (13053336), standard with bare-end, black - 1/3/5/10 m | |
| | Cable SJTW 5x14 AWG (13053697), with bare-end, white | |
| | Cable UL 20969 (5x18 AWG) - (13054125) | |
| | Junction Box Remote (4x Output) - (10980716) | |
| | Junction Box Remote (1x Output) - (10980715) | |

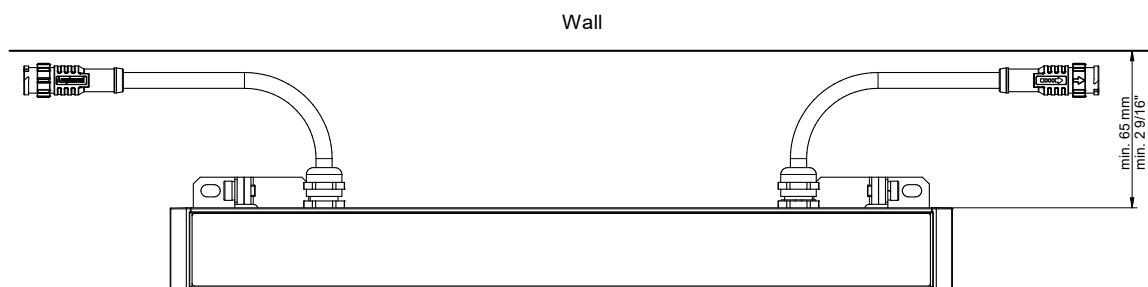
LAMARI INPUT OPTIONS

STANDARD

UPON REQUEST



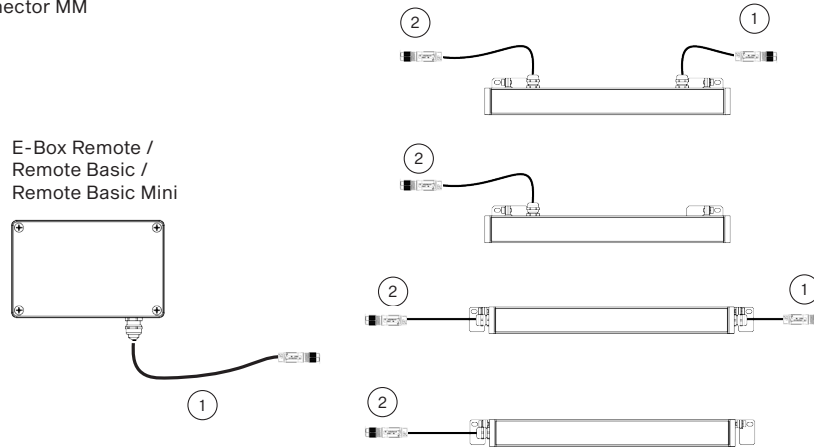
DISTANCE FROM THE WALL



CONTROL AND CONNECTION OPTIONS

STANDARD

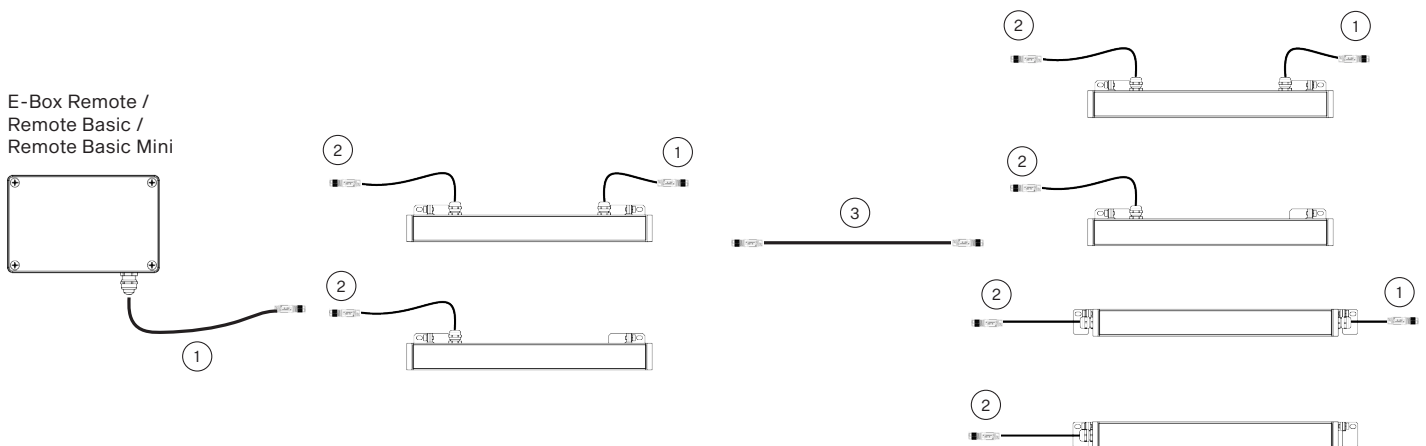
- 1) Leader CE Cable FF, 0.1 m, MINI-05 (13053978)
- 2) Cable 5x20 AWG, 0.5 m, with connector MM



Note: The last unplugged connector must be fitted with a Waterproof Cap to protect the IP rating.

STANDARD WITH JUMPER CABLE

- 1) Leader Cable FF, 0.1 m , CE MINI-05 (13053978)
- 2) Cable 5x20 AWG, 0.5 m, with connector MM
- 3) Jumper Cable MINI-05 FF/MM (20 AWG), 0.5 m (13053937-02)



Note: The last unplugged connector must be fitted with a Waterproof Cap to protect the IP rating.

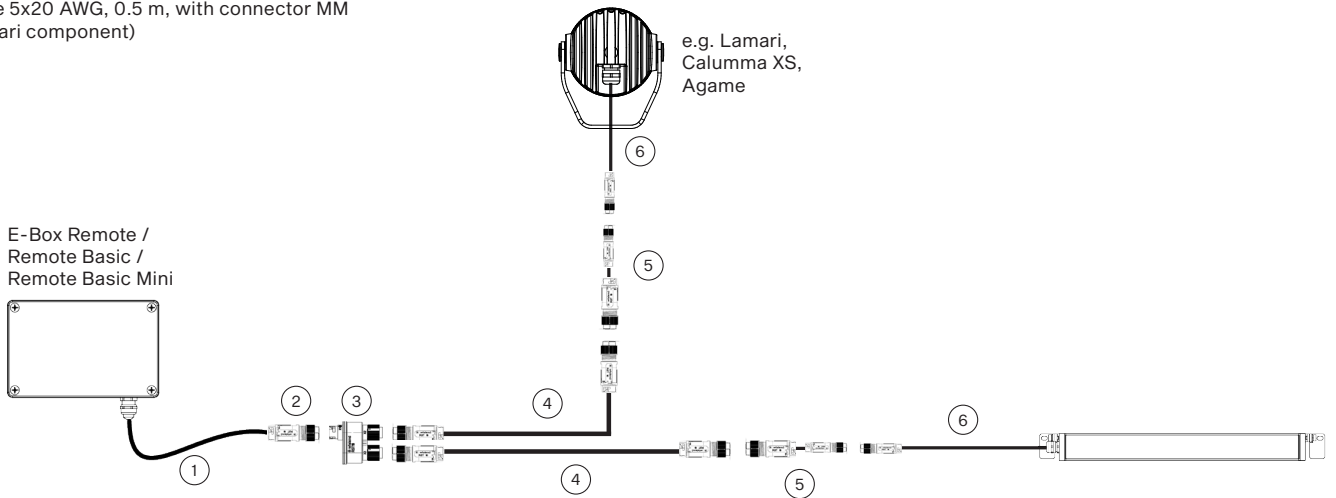
CONTROL AND CONNECTION OPTIONS - CE

DMX - CONNECTOR SOLUTION

A E-BOX REMOTE / REMOTE BASIC / REMOTE BASIC MINI

- 1) SJTW 5x14 AWG (13053336), standard with bare-end, black
- 2) Field Installable Connector MID-05 MM (14-22 AWG) - (13054126)
- 3) T-connector MID-05 MFF (13054130)
- 4) Jumper Cable CE/US MID-05 FF/MM (5x14 AWG), 0.5 m (13054131)
- 5) Adaptor MID2MINI (13054149)
- 6) Cable 5x20 AWG, 0.5 m, with connector MM (Lamari component)

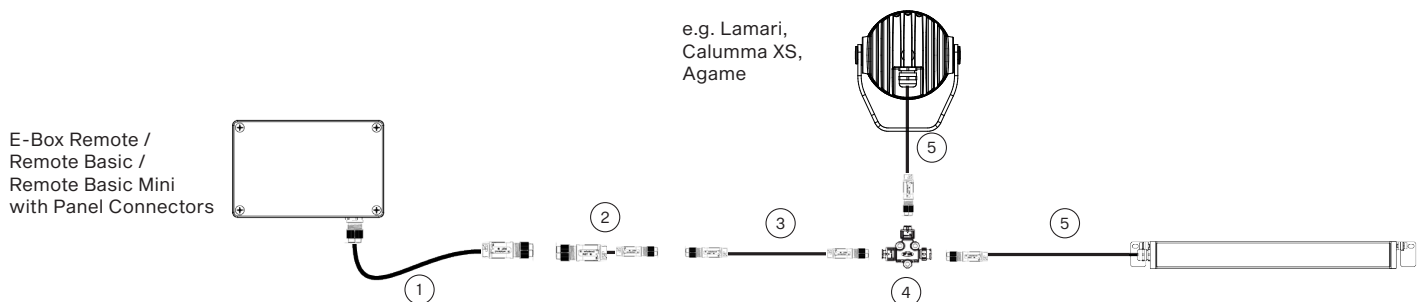
Note: The last unmated connector must be fitted with an Waterproof Cap to protect the IP rating.



B E-BOX REMOTE / REMOTE BASIC / REMOTE BASIC MINI WITH PANEL CONNECTORS

- 1) Jumper Cable CE/US MID-05 FF/MM (5x14 AWG), 0.5 m (13054131)
- 2) Adaptor MID2MINI (13054149)
- 3) Jumper Cable MINI-05 FF/MM (20 AWG), 0.5 m (13053937-02)
- 4) T-connector MINI-05 MFF (13053941-01)
- 5) Cable 5x20 AWG, 0.5 m, with connector MM (Lamari component)

Note: The last unmated connector must be fitted with an Waterproof Cap to protect the IP rating.

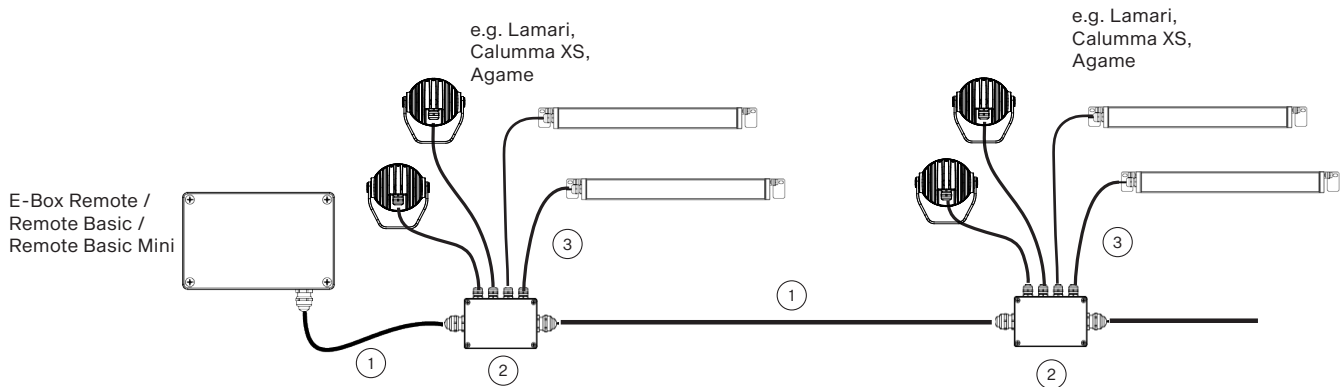


CONTROL AND CONNECTION OPTIONS - CE

DMX - BARE-END CE

- 1) SJTW 5x14 AWG (13053336), standard with bare-end, black
- 2) Junction Box Remote (4x Output) - (10980716)
- 3) Cable UL 20969 (5x20 AWG), 1 m, (13053481), black

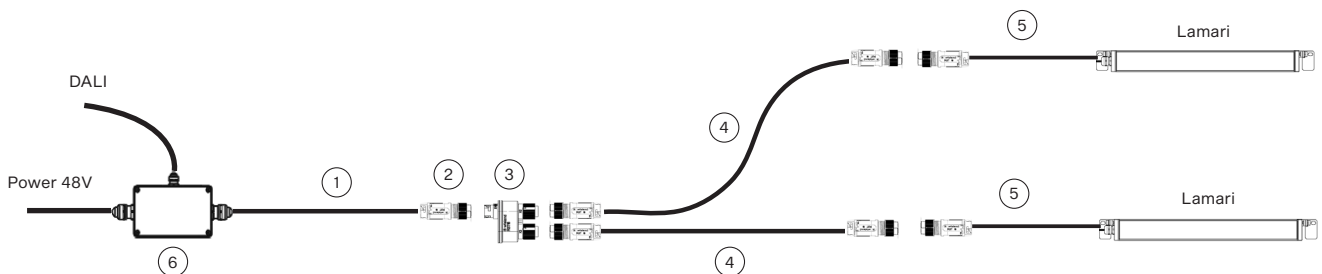
Note: The last unmated connector must be fitted with an Waterproof Cap to protect the IP rating.



DALI - CONNECTOR SOLUTION CE

- 1) SJTW 5x14 AWG (13053336), standard with bare-end, black
- 2) Field Installable Connector MID-05 FF (14-22 AWG) - (13054126)
- 3) T-connector MID-05 MFF (13054130)
- 4) Jumper Cable CE/US MID-05 FF/MM (5x14 AWG), 0.5 m (13054131)
- 5) Cable UL 20969 (5x18 AWG) - (13054125)
- 6) Junction Box Remote 1x Output - (10980715)

Note: The last unmated connector must be fitted with an Waterproof Cap to protect the IP rating.

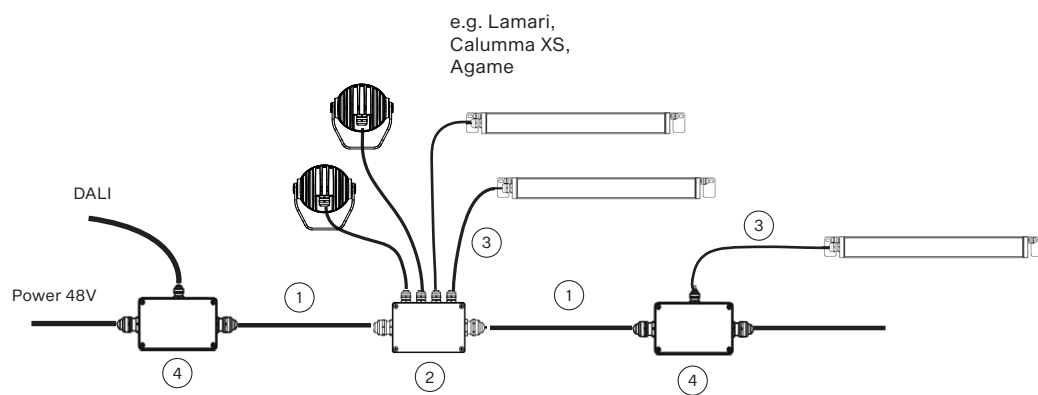


CONTROL AND CONNECTION OPTIONS - CE

DALI - BARE-END

- 1) SJTW 5x14 AWG (13053336), standard with bare-end, black
- 2) Junction Box Remote (4x Output) - (10980716)
- 3) Cable UL 20969 (5x18 AWG) - (13054125)
- 4) Junction Box Remote (1x Output) - (10980715)

Note: The last unmated connector must be fitted with an Waterproof Cap to protect the IP rating.

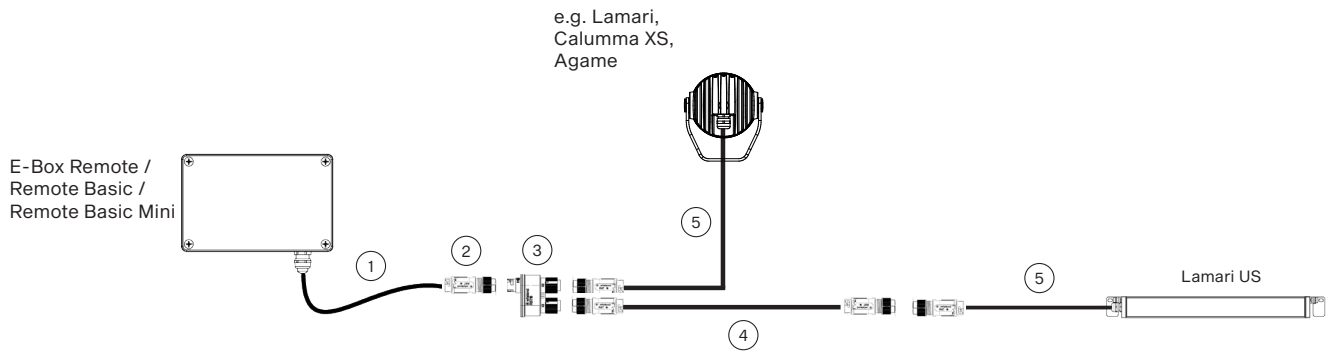


CONTROL AND CONNECTION OPTIONS - US

DMX - CONNECTOR SOLUTION

- 1) SJTW 5x14 AWG (13053336), standard with bare-end, black
- 2) Field Installable Connector MID-05 FF (14-22 AWG) - (13054126)
- 3) T-connector MID-05 MFF (13054130)
- 4) Jumper Cable CE/US MID-05 FF/MM (5x14 AWG), 0.5 m (13054131)
- 5) Cable UL 20969 (5x18 AWG) - (13054125)

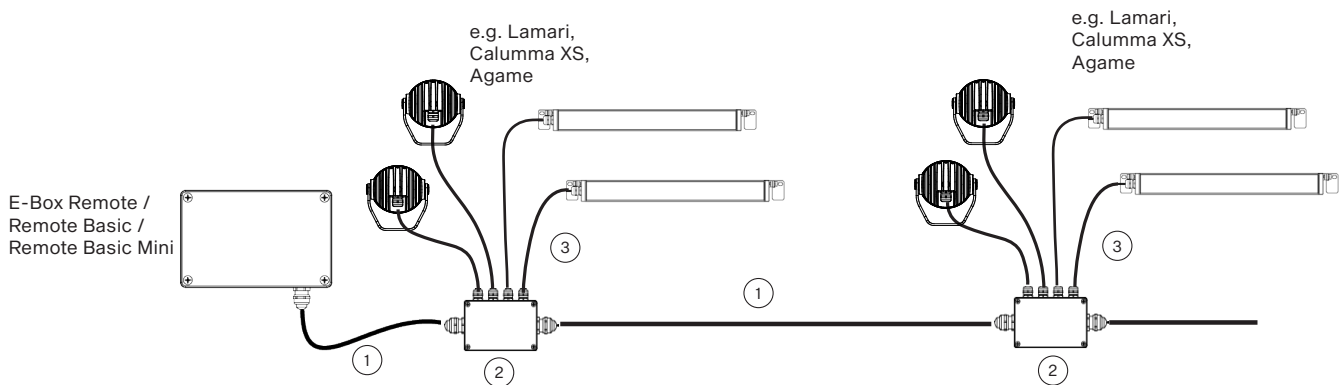
Note: The last unmated connector must be fitted with a Waterproof Cap to protect the IP rating.



DMX - BARE-END

- 1) SJTW 5x14 AWG (13053336), standard with bare-end, black
- 2) Junction Box Remote (4x Output) - (10980716)
- 3) Cable UL 20969 (5x18 AWG) - (13054125)

Note: The last unmated connector must be fitted with a Waterproof Cap to protect the IP rating.



LAMARI CABLE ENTRY OPTIONS

Rear IN/OUT Version



Rear IN Version



Side IN/OUT Version

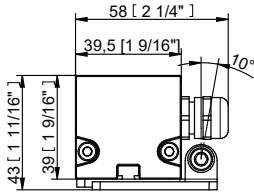


Side IN Version

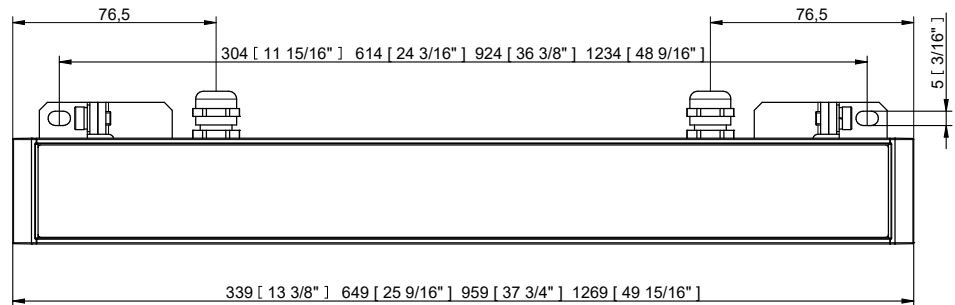


DIMENSIONS

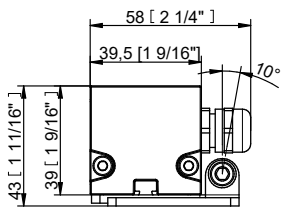
Rear IN/OUT Version



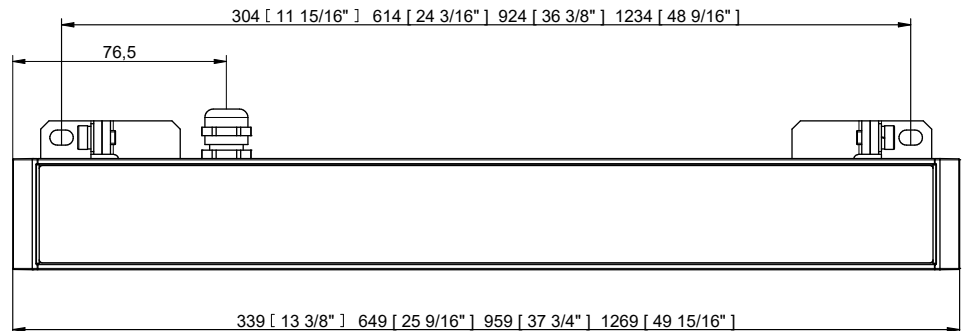
Wall



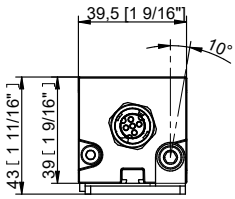
Rear IN Version



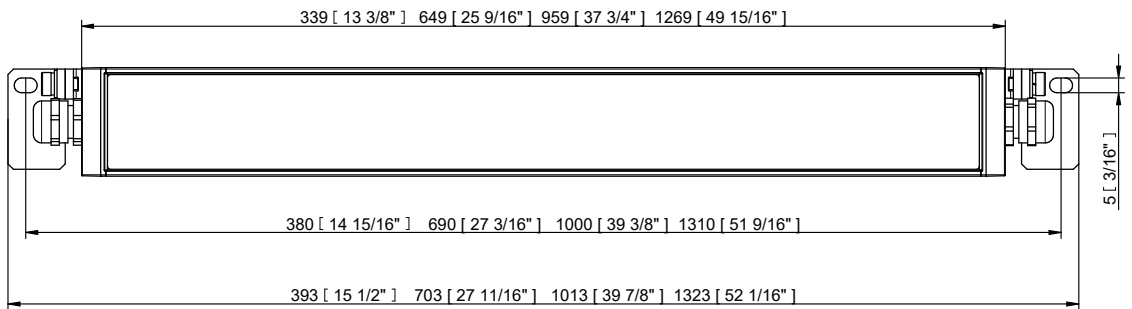
Wall



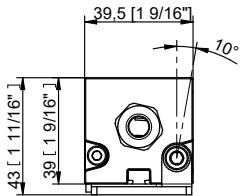
Side IN/OUT Version



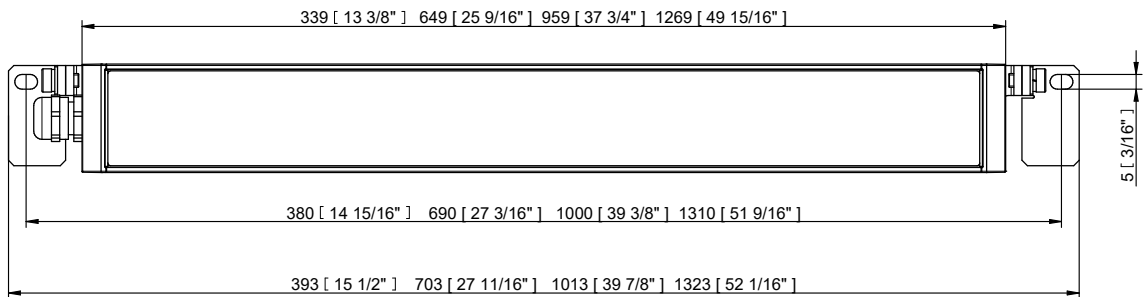
Wall



Side IN Version

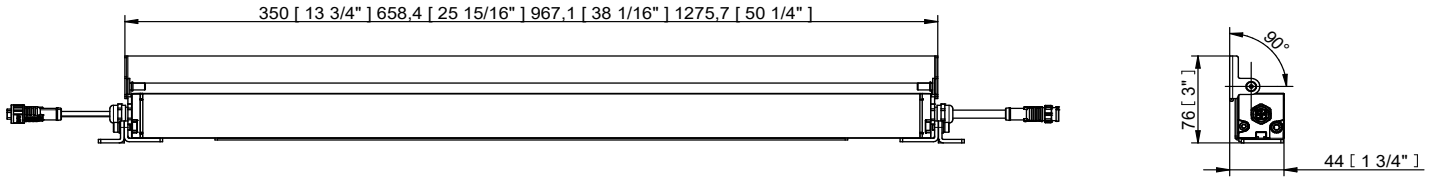


Wall

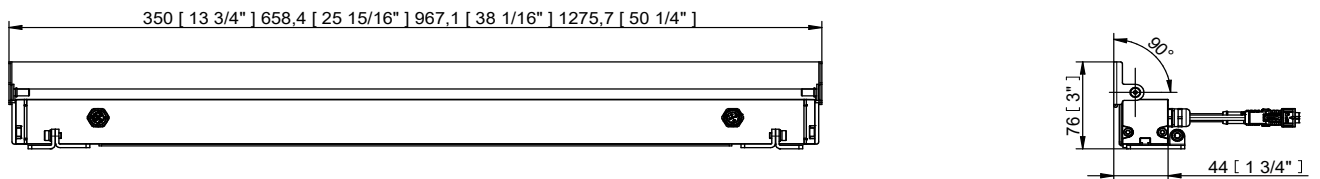


ACCESSORIES

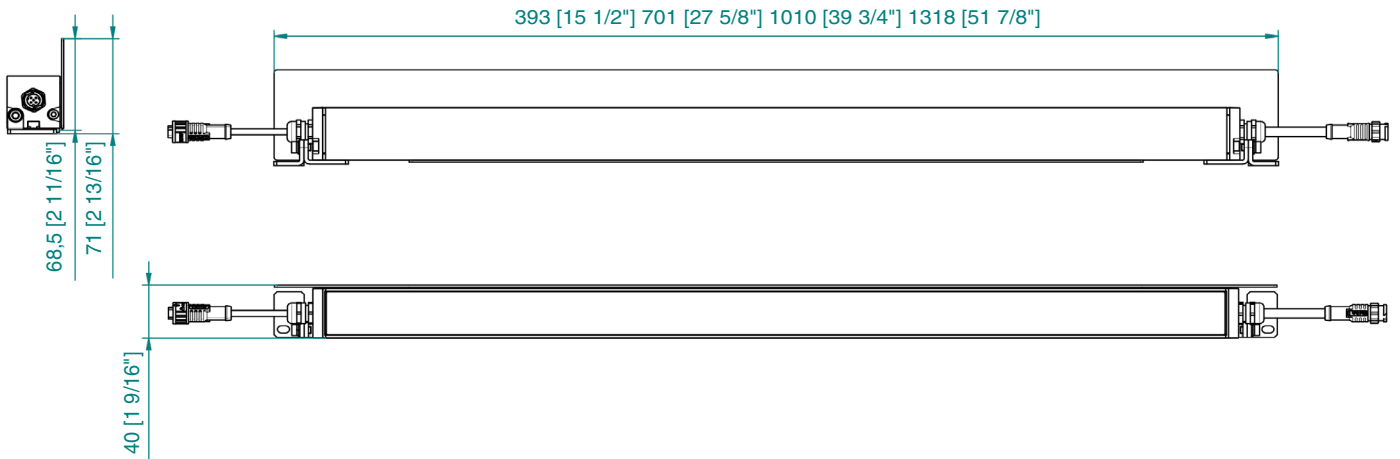
Barndoors for Lamari Side



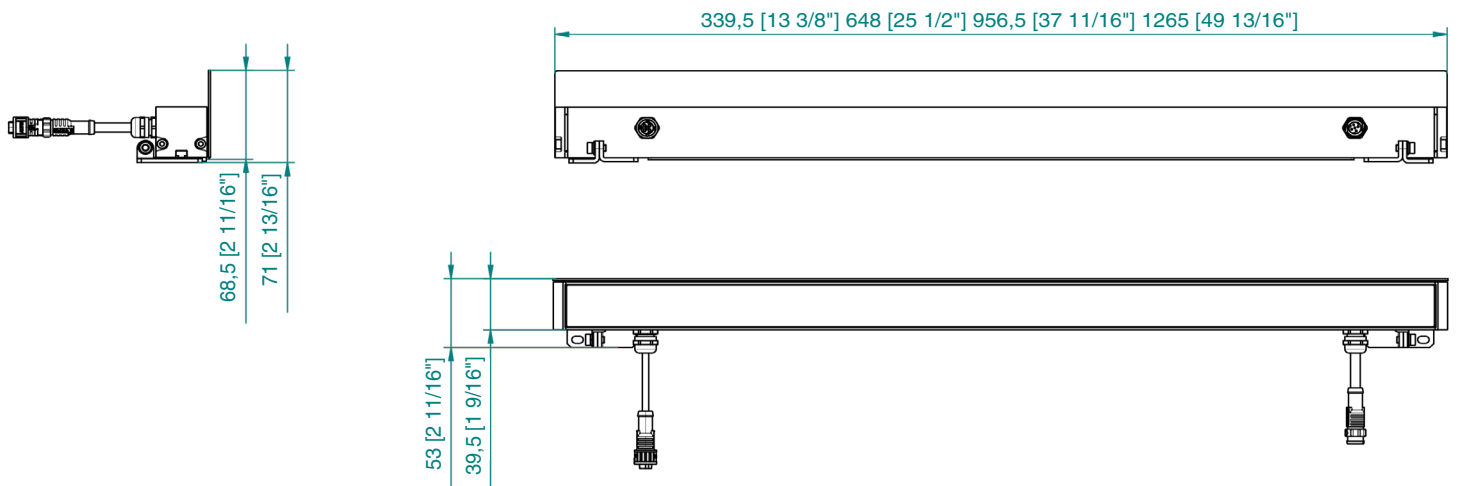
Barndoors for Lamari Rear



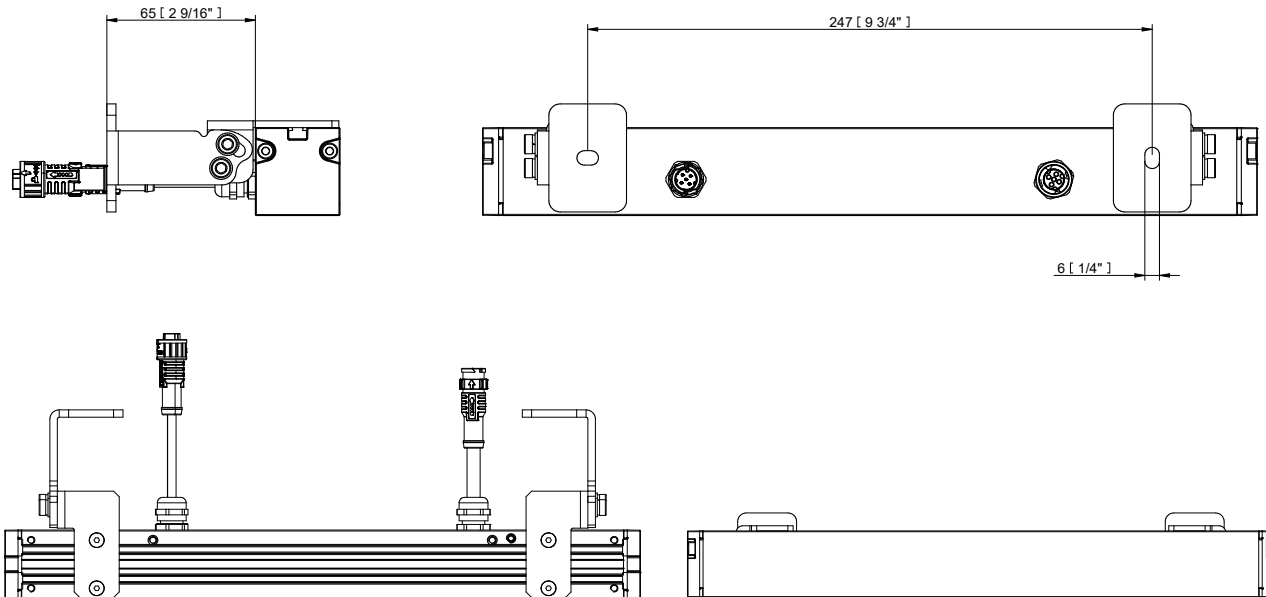
Shields for Lamari Side



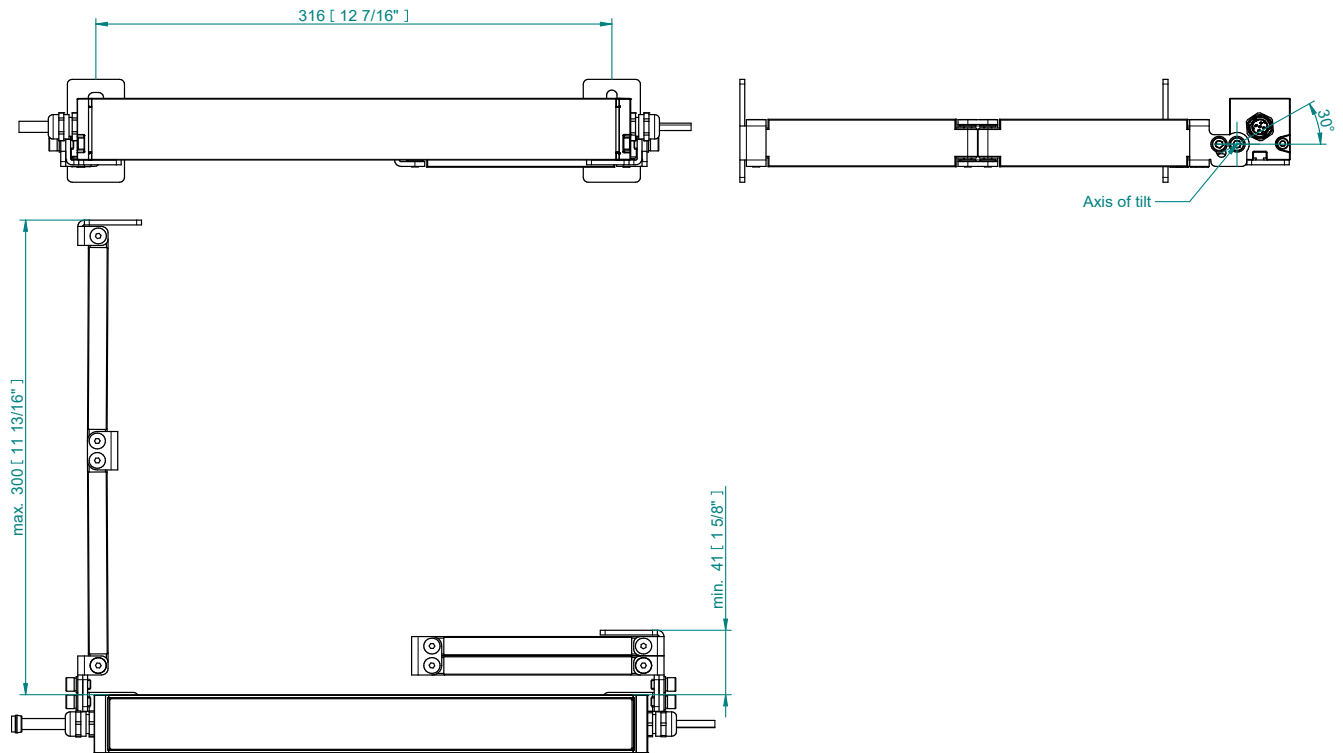
Shields for Lamari Rear



Wall Mount Brackets



Wall Mount Scissors Brackets



BI-SYMMETRICAL BEAM ANGLES

Bi-symmetrical: 15°x40°, 15°x70°, 20°x45°, 20°x80°, 35°x110°, 40°x65°

