

CALUMMA™ ARTS S SC

Featuring an artistic optical design with nineteen high-efficacy single-chip LEDs, Calumma S SC delivers powerful and expressive light with a distinctive artistic character. It offers four interchangeable lenses and nine textured glass options, which can be freely combined and adjusted directly on site, allowing lighting designers to fine-tune the effect for each installation and create virtually endless lighting possibilities. Its durable housing is built to withstand harsh and marine environments, providing an elegant and robust solution for outdoor architectural applications.



KEY FEATURES

Lumen output & Light source

Luminaire with nineteen high-power, single-chip LEDs provides up to 1958 lumen output (@10°, RGBW). Multiple LED colour variants. Well homogenised light output with great efficacy up to 65 lm/w.

Design & Durability

Compact, durable and stylish housing made of high-pressure die cast aluminium. IP67 for fixture, IP65 for its tube and IK10 certification; suitable for marine applications (Harsh Environment Finish required) and traffic applications. Supported with a 5 year warranty.

Flexibility

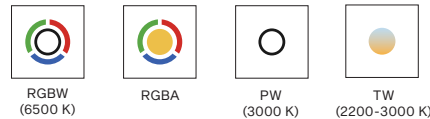
Exceptional indoor and outdoor LED luminaire featuring three interchangeable lenses and nine textured glass options. Effects can be adjusted directly on site, offering virtually endless lighting possibilities.

Connectivity

Calumma Arts S SC can be connected via an E-Box for almost effortless installation. DMX512+RDM and wide range of Ethernet protocols are available for E-Box control. DMX/RDM or DALI 2 interface protocols facilitate standard connection options.

COLOURS

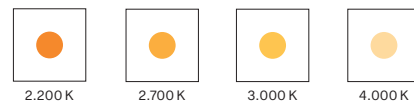
STANDARD



UPON REQUEST



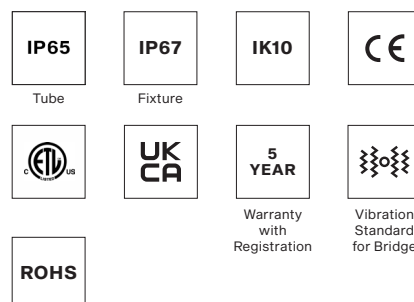
AVAILABLE COLOURS FOR CUSTOM SETUP



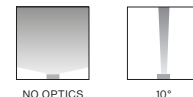
CONTROL & PROTOCOLS



STANDARD & SPECIFICATION



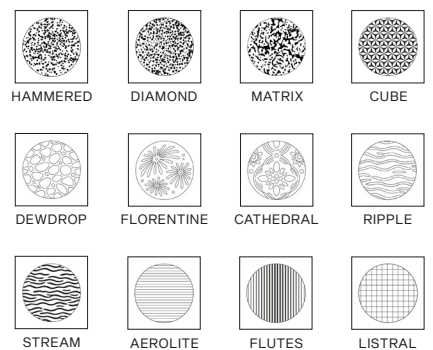
OPTIC OPTIONS



LENSES



TEXTURED GLASS



FINISH OPTIONS

* CLOSEST RAL TONE
* HE = Harsh Environment



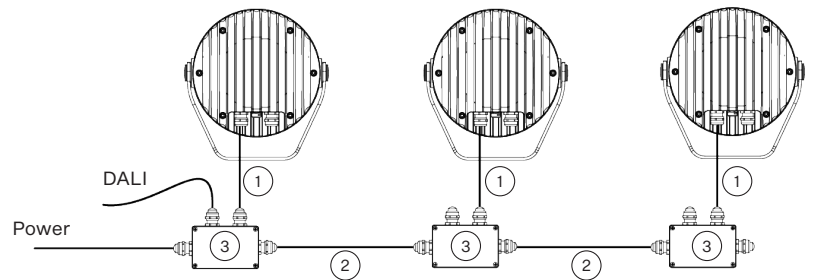
SPECIFICATION

ELECTRICAL	Input Voltage	120–277 V AC 50/60 Hz (US)		
	Typical Power Consumption	30 W +/-10 %		
OPTICAL	Light Source	High Power Single Chip LEDs		
	Colour Variants	RGBW (W - 6500 K) RGBA Pure White (W - 3000 K) Tuneable White (2200–3000 K) Custom Setup On Request: Red, Green, Blue, Amber, 2200 K, 2700 K, 3000 K, 4000 K, 6500 K		
	Beam Angle	10° No Optics		
	Lumen Output Delivered	1958 lm (@ 10°, RGBW) TBC		
	Projected Lumen Maintenance	L90B10 >90.000 hrs, Ta = 25°C / 77°F		
	CONTROL	Interface Protocol	DMX/RDM, DALI 2 or ON/OFF (PW & single colour only)	
DALI 2 Device Type		DT 8		
Control System		Third Party DMX Controllers		
Operating Modes		DMX, Stand-alone		
Settings / Addressing		E-Box, RDM communicator		
Power Supply		Integrated		
PHYSICAL	Width x Height x Depth	190 x 196 x 278 mm (7.5 x 7.7 x 10.9 in.)		
	Weight	5.1 kg 11.2 lbs		
	Housing	High Pressure Die-Cast Aluminium Body		
		Tempered Glass		
	Finish Options	Standard Colour	Graphite Black RAL 9011 Grey Aluminium RAL 9007 Pure White RAL 9010 Sandstone RAL 1014	
		Standard Colour Harsh Environment	Graphite Black RAL 9011 Grey Aluminium RAL 9007 Pure White RAL 9010 Sandstone RAL 1014	
		Cost Option	Custom RAL	
	Cables / Connections	IN (for DMX, DALI):	- 1 m cable with bare end - Other cable length - custom - Junction box - optional	
	Mounting Method	Yoke or Yoke for Pole Adaptor		
	Adjustability	+180° / -180°		
	Protection Factor	IP67 (fixture) / IP65 (tube) / Suitable For Wet Locations		
	IK Rating	IK10		
	Cooling System	Convection		
	Operating Ambient Temperature	-20°C / +50°C (-4°F / +122°F)		
CERTIFICATION	Listings	ETL / cETL, CE, RoHS, UKCA		
ACCESSORIES	Not Included Items	Junction Box for Calumma S–XL / Eminere (CE or US)		
		Re-enterable Electrical Insulating Resin		
		Land Spike for Calumma S		
		Floor Stand for Calumma Arts S		
		Pole Adaptor (ø 102 mm) (Yoke for Pole Adaptor Required)		
		Strap Wrench for Calumma Arts S, M		
		Lenses for Calumma Arts S	Fractal Lens ARC Lens Line Lens	
		Textured Glass for Calumma Arts S	Hammered Glass Diamond Glass Matrix Glass Cube Glass DewDrop Glass Florentine Glass Cathedral Glass Ripple Glass Stream Glass Aerolite Glass Flutes Glass Listral Glass	

CONTROL AND CONNECTION OPTIONS - CE

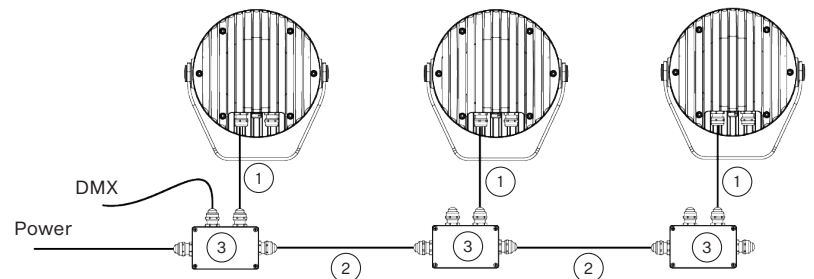
DALI

- 1) Hybrid Cable (13053693) Standard 1 m with bare-end, black or on request Hybrid cable (13053697), 1 m with bare-end, white
- 2) Hybrid Cable (13053693) Standard 1 m with bare-end, black or on request Hybrid cable (13053697), 1 m with bare-end, white or Scope of Others
- 3) Junction Box



DMX

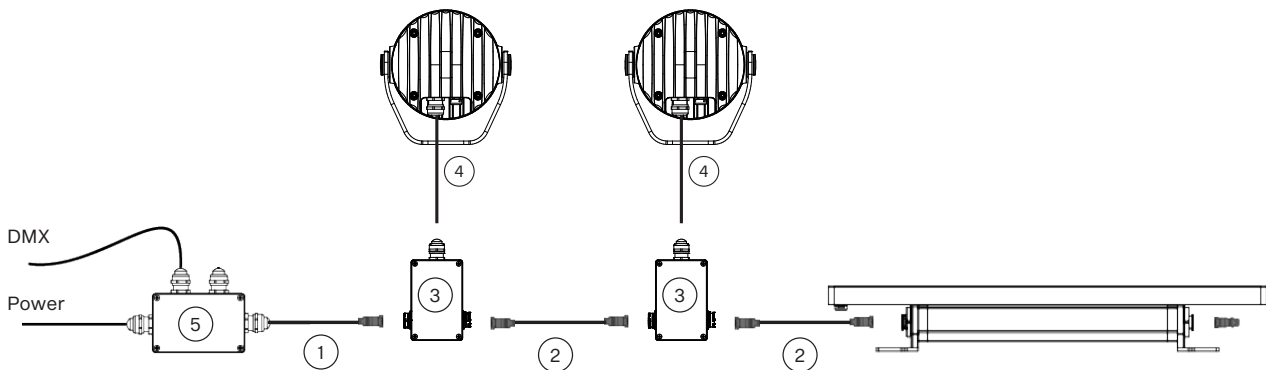
- 1) Flamar 3x16 AWG + 1x(2x24 AWG) Standard 1 m with bare-end, (13051508), black or Hybrid Cable HYB-5731ZH LSZH (13053694), white
- 2) Flamar 3x16 AWG + 1x(2x24 AWG), (13051508), black or Hybrid Cable HYB-5731ZH LSZH (13053694), white or Scope of Others
- 3) Junction Box



DMX WITH JUNCTION BOX FOR CALUMMA S / EMINERE (CE)

- 1) Leader Cables FF - 2 | 5 | 10 | 25 | 50 m
- 2) Jumper Cables FF/FM - 0.25 | 0.5 | 1 | 2 | 3 | 5 | 10 m
- 3) Junction Box for Calumma S-XL / Eminere CE (10981268 for RAL9011)
- 4) Flamar 3x16 AWG + 1x(2x24 AWG) Standard 1 m with bare-end (13051508), black or Hybrid Cable HYB-5731ZH LSZH (13053694), white
- 5) Junction Box

Note: The last unplugged connector must be fitted with a Waterproof Cap to protect the IP rating.

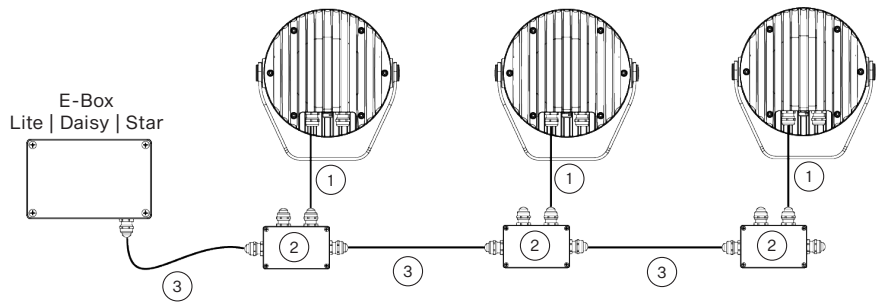


CONTROL AND CONNECTION OPTIONS - CE

DMX or ETHERNET via E-BOX

- 1) Flamar 3x16 AWG + 1x(2x24 AWG) - (13051508), Standard 1 m with bare-end, black or HYB-5731ZH LSZH (13053694), Hybrid Cable, white
- 2) Junction Box
- 3) Flamar 3x16 AWG + 1x(2x24 AWG) - (13051508), black or HYB-5731ZH LSZH (13053694), Hybrid Cable, white or Scope of Others

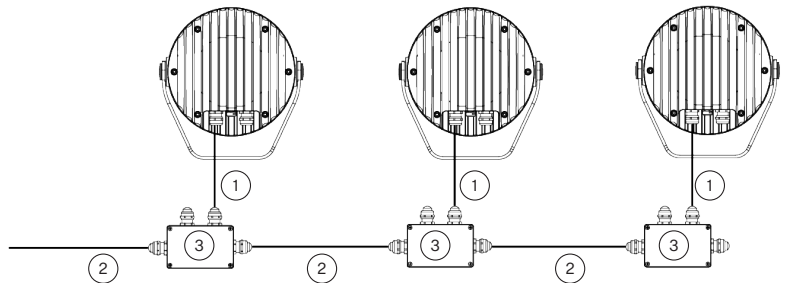
Note: This type of connection is available for S, M, L, and XL versions. E-Box has to be in Pass Through mode only.



ON/OFF

- 1) H07BB-F 3G 1.5 (13050919), 3-cored cable, Standard 1 m with bare-end, black
- 2) H07BB-F 3G 1.5 (13050919), 3-cored cable, Standard 1 m with bare-end, black or Scope of Others
- 3) Junction Box or Scope of Others

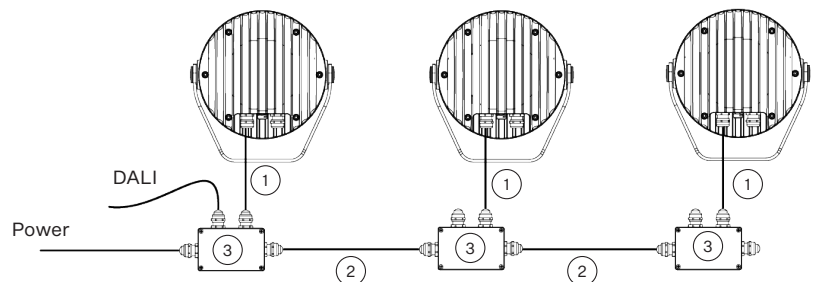
Note: This type of connection is available for Pure White and single color version only. Non dimmable.



CONTROL AND CONNECTION OPTIONS - US

DALI

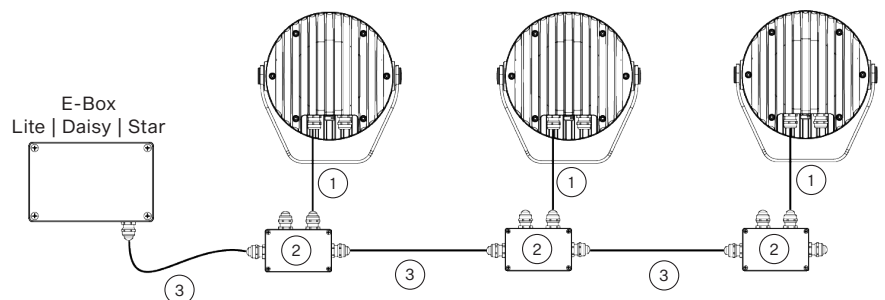
- 1) SJTW 5x14 AWG (13053693), Standard 1 m with bare-end, black or Cable SJTW 5x14 AWG (13053697), white
- 2) SJTW 5x14 AWG (13053693), black or Cable SJTW 5x14AWG (13053697), white or Scope of Others
- 3) Junction Box



DMX or ETHERNET via E-BOX

- 1) SJTW 6x14 AWG (13053480) Standard 1 m with bare-end, black or Cable SJTW 6x14 AWG (13053695), white
- 2) Junction Box
- 3) SJTW 6x14 AWG (13053480), black or Cable SJTW 6x14 AWG (13053695), white or Scope of Others

Note: This type of connection is available for S, M, L, and XL versions. E-Box has to be in Pass Through mode only.

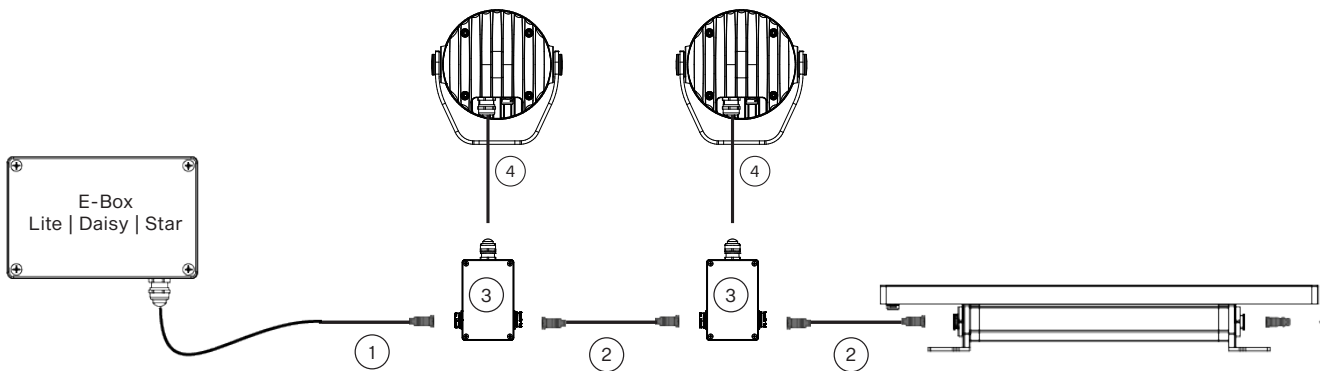


CONTROL AND CONNECTION OPTIONS - US

DMX WITH JUNCTION BOX FOR CALUMMA S / EMINERE (US)

- 1) Leader Cables FF - 2 | 5 | 10 | 25 | 50 m
- 2) Jumper Cables FF/FM - 0.25 | 0.5 | 1 | 2 | 3 | 5 | 10 m
- 3) Junction Box for Calumma S–XL / Eminere US (10981269 for RAL9011)
- 4) SJTW 6x14 AWG (13053480), Standard 1 m with bare-end, black or Cable SJTW 6x14 AWG (13053695), white

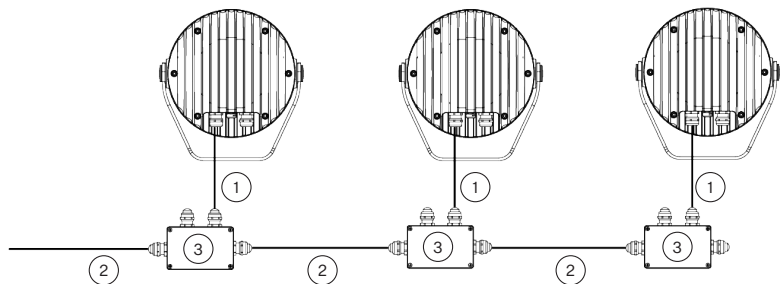
Note: The last unplugged connector must be fitted with a Waterproof Cap to protect the IP rating.



ON/OFF

- 1) SEOW power 3x16 AWG (13051558-01), 3-cored cable, Standard 1 m with bare-end, black
- 2) SEOW power 3x16 AWG (13051558-01), 3-cored cable, Standard 1 m with bare-end, black or Scope of Others
- 3) Junction Box or Scope of Others

Note: This type of connection is available for Pure White & single color version only. Non dimmable.

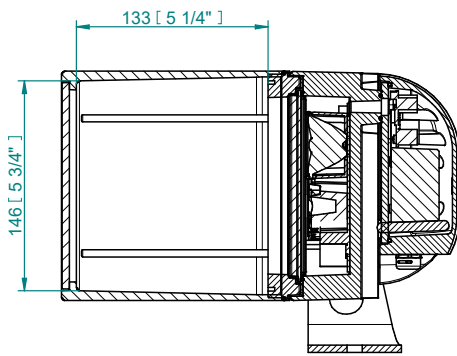


CONNECTIVITY

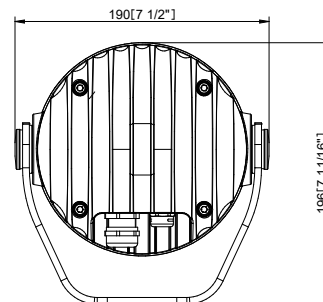
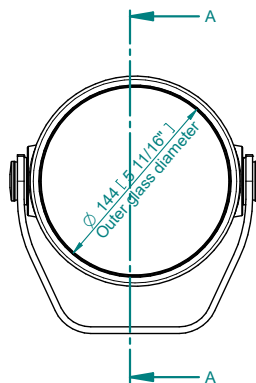
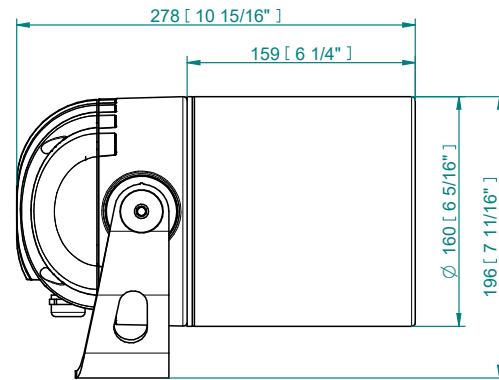
Following table shows maximum connected Calummas Arts S SC in a row with respect of cable length.

	Cable length (m)	Voltage (V)			
		120	190	230	277
CALUMMA ARTS S SC	10	32	32	32	32
	20	32	32	32	32
	30	32	32	32	32
	50	26	32	32	32
	70	18	32	32	32
	100	13	32	32	32

DIMENSIONS

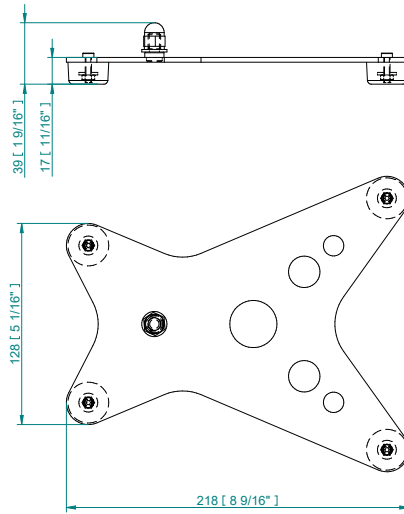


SECTION A-A

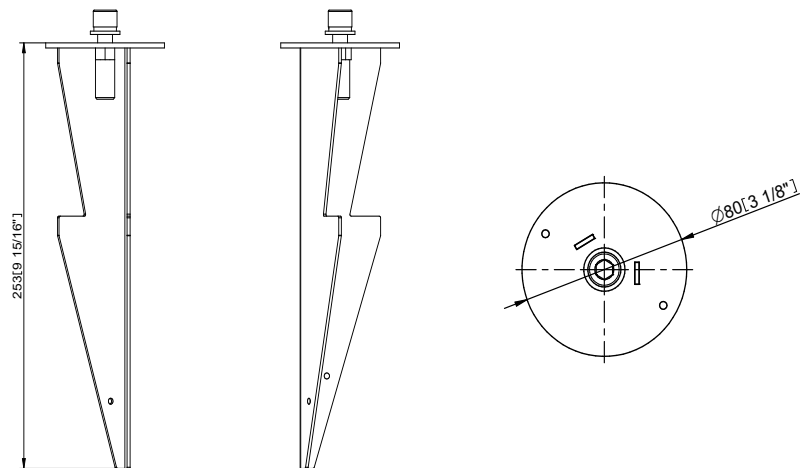


ACCESSORIES

Floor Stand for Calumma Arts S



Land Spike for Calumma (S, M, L, XL)



Pole Adaptor

