

5° VERSION

CALUMMA™ UN L SC

A high-performance architectural luminaire designed for precise and powerful illumination of prominent vertical features. Its advanced optical system with high-efficacy single-chip LEDs delivers intense illumination – 31 LEDs in the 5° version and 13 LEDs in the 2.5° and 3.5° versions. A range of LED colour options and ultra-narrow beam distributions with minimal light spill provide exceptional precision and control, making it ideal for highlighting tall, refined architectural elements. Its durable housing is designed to perform reliably in demanding outdoor conditions, with a dedicated finish for harsh and marine environments. In/Out daisy-chain capability via E-Box and hybrid Plug & Play connectors simplifies installation, while a comprehensive range of accessories and control protocols ensures outstanding flexibility for architectural lighting applications.



KEY FEATURES

Lumen output & Light source

Luminaire with 31 LEDs (5°, ø35 mm) and 13 LEDs (2.5° / 3.5°, ø45 mm) delivers up to 3540 lumen output. Precise optical control with ultra-narrow beam angles ensures virtually no light spill and outstanding accuracy.

Design & Durability

Compact, durable and stylish housing made of high-pressure die cast aluminium. IP67 and IK10 certification; suitable for marine applications (Harsh Environment Finish required) and traffic applications. Supported with a 5 year warranty.

Flexibility

Equipped with precision-engineered 2.5°, 3.5° or 5° narrow-beam optics, Calumma UN L delivers an exceptionally focused light distribution for long-distance accent applications. Its powerful output makes it ideal for highlighting prominent architectural features, such as church spires or other landmark elements, with precise and controlled illumination.

Connectivity

Utilising the innovative E-Box series of power and data interfaces, Calumma UN L can communicate via numerous wired, wireless, and Ethernet based control protocols. Various wiring topologies are supported using hybrid power / data cables with Plug & Play connectors or standard connection options.

COLOURS

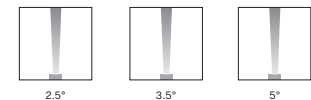
STANDARD



UPON REQUEST

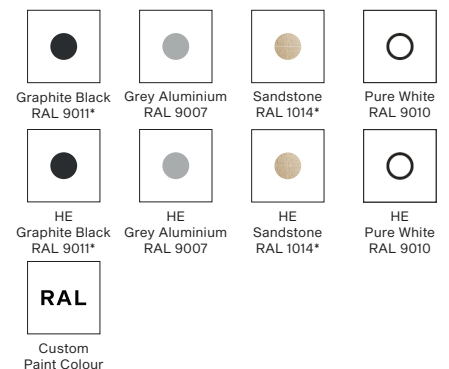


OPTIC OPTIONS

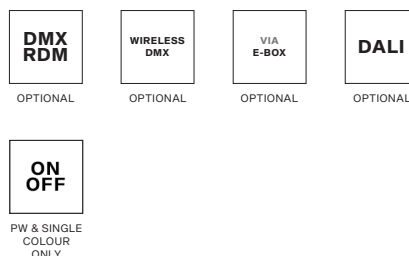


FINISH OPTIONS

* CLOSEST RAL TONE
* HE = Harsh Environment



CONTROL & PROTOCOLS



STANDARD & SPECIFICATION



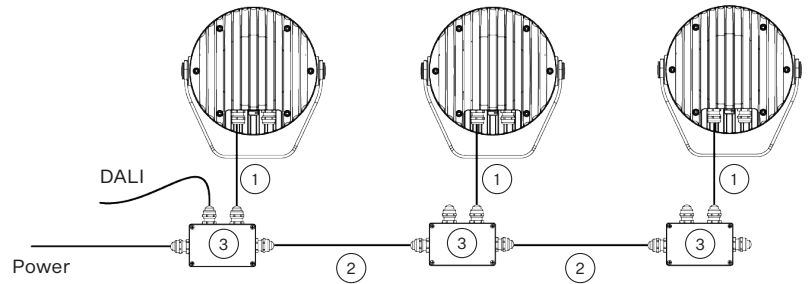
SPECIFICATION

ELECTRICAL	Input Voltage	120–277 V AC 50/60 Hz (US)	
	Typical Power Consumption	53 W (@ 2.5°, 3.5°), 125 W (@ 5°)	
OPTICAL	Light Source	High Power Single Chip LEDs	
	Colour Variants	RGBW (W - 6500 K) RGBA Pure White (W - 3000 K) Tuneable White (2200–3000 K)	
		Custom Setup On Request: Red, Green, Blue, Amber, 2200 K, 2700 K, 3000 K, 4000 K, 6500 K	
	Beam Angle	2.5° 3.5° 5°	
	Lumen Output Delivered	3540 lm (@ 5°, PW 3000 K) TBC	
	Projected Lumen Maintenance	L90B10 >90.000 hrs, Ta = 25°C / 77°F	
	LED Diameter	LED (2.5°, 3.5°), ø 45 mm	LED (5°), ø 35 mm
CONTROL	Interface Protocol	Via E-Box range, DMX/RDM, wireless DMX, DALI 2 or ON/OFF (PW & single colour only)	
	E-box control protocol	USITT DMX512+RDM, ArtNet, MA Net, MA Net2, sACN, Kling-Net	
	DALI 2 Device Type	DT 8	
	Wireless DMX (Option)	Lumen Radio CRMX Technology	
	Control System	Third Party DMX Controllers or third party DALI 2 controllers, Ethernet	
	Operating Modes	DMX, Stand-alone	
	Settings / Addressing	E-Box, RDM communicator	
	Power Supply	Integrated	
	Width x Height x Depth Weight	338 x 360 x 116 mm (13.31 x 14.13 x 4.57 in.) 9.7 kg (21.38 lbs)	
Housing	High Pressure Die-Cast Aluminium Body Tempered Glass		
PHYSICAL	Finish Options	Standard Colour	Graphite Black RAL 9011 Grey Aluminium RAL 9007 Pure White RAL 9010 Sandstone RAL 1014
		Standard Colour Harsh Environment	Graphite Black RAL 9011 Grey Aluminium RAL 9007 Pure White RAL 9010 Sandstone RAL 1014
		Cost Option	Custom RAL
	Cables / Connections	IN/OUT (for E- Box version): - 0.5 m cables with hybrid connectors - Jumper cables	IN (for DMX, DALI, ON / OFF): - 1 m cable with bare-end - Other cable length - custom - Junction box - optional
Mounting Method	Yoke or Yoke for Pole Adaptor		
Adjustability	+180° / -180°		
Protection Factor	IP67 / Suitable For Wet Locations		
IK Rating	IK10		
Cooling System	Convection		
Operating Ambient Temperature	-20°C / +50°C (-4°F / +122°F)		
CERTIFICATION	Listings	ETL / cETL, CE, RoHS, UKCA	
ACCESSORIES	Not Included Items		
		Junction Box for Calumma S–XL / Eminere (CE or US)	
		Land Spike for Calumma L	
		Top Hat Calumma L	
		Half Top Hat Calumma L	
		Re-enterable Electrical Insulating Resin	
		Floor stand for Calumma L, XL	
	Pole Adaptor (ø 102mm) (Yoke for Pole Adaptor Required)		

CONTROL AND CONNECTION OPTIONS - CE

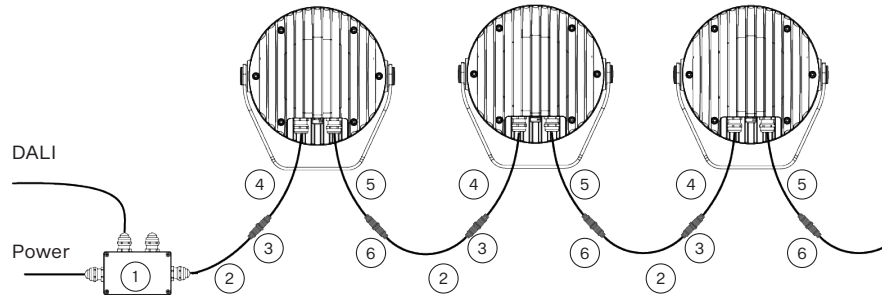
DALI

- 1) Hybrid Cable (13053693) Standard 1 m with bare-end, black or on request Hybrid cable (13053697), 1 m with bare-end, white
- 2) Hybrid Cable (13053693) Standard 1 m with bare-end, black or on request Hybrid cable (13053697), 1 m with bare-end, white or Scope of Others
- 3) Junction Box



- 1) Junction Box
- 2) Hybrid Cable (13053693) Standard 1 m with bare-end, black or on request Hybrid cable (13053697), 1 m with bare-end, white
- 3) Field Installable Connector FF DC-05 (13053971)
- 4) Hybrid Cable (13053693), black, standard 0.5 m with Field Installable Connector MM DC-05 (13053972), black
or on request Hybrid cable (13053697), white, 0.5 m with Field Installable Connector MM DC-05 (13053972), black

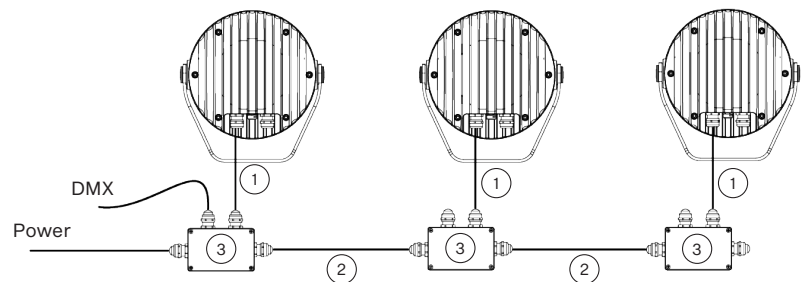
- 5) Hybrid Cable (13053693), black, standard 0.5 m with Field Installable Connector FF DC-05 (13053971), black
or on request Hybrid cable (13053697), white, 0.5 m with Field Installable Connector FF DC-05 (13053971), black
- 6) Field Installable Connector MM DC-05 (13053972)



Note: The last unplugged connector must be fitted with a Waterproof Cap to protect the IP rating.

DMX

- 1) Flamar 3x16 AWG + 1x(2x24 AWG) - (13051508), Standard 1 m with bare-end, black or HYB-5731ZH LSZH (13053694), Hybrid Cable, white
- 2) Flamar 3x16 AWG + 1x(2x24 AWG) - (13051508), black or HYB-5731ZH LSZH (13053694), Hybrid Cable, white or Scope of Others
- 3) Junction Box

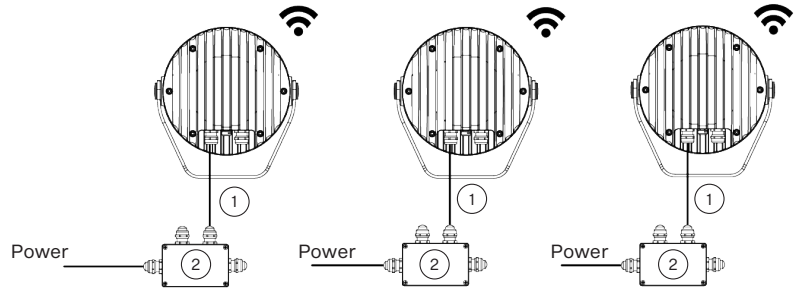


CONTROL AND CONNECTION OPTIONS - CE

WIRELESS DMX

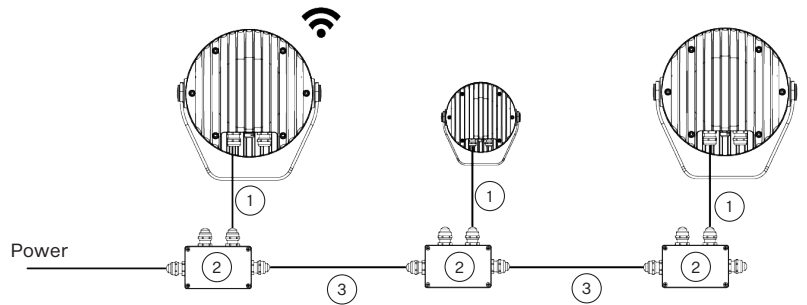
- 1) Flamar 3x16 AWG + 1x(2x24 AWG) - (13051508), Standard 1 m bare-end, black or Hybrid Cable HYB-5731ZH LSZH (13053694), white
- 2) Junction Box

Note: This type of connection is available for M, L, XL versions.



- 1) Flamar 3x16 AWG + 1x(2x24 AWG) - (13051508), Standard 1 m bare-end, black or Hybrid Cable HYB-5731ZH LSZH (13053694), white
- 2) Junction Box
- 3) Flamar 3x16 AWG + 1x(2x24 AWG) - (13051508) or HYB-5731ZH LSZH (13053694), Hybrid Cable, white or Scope of Others

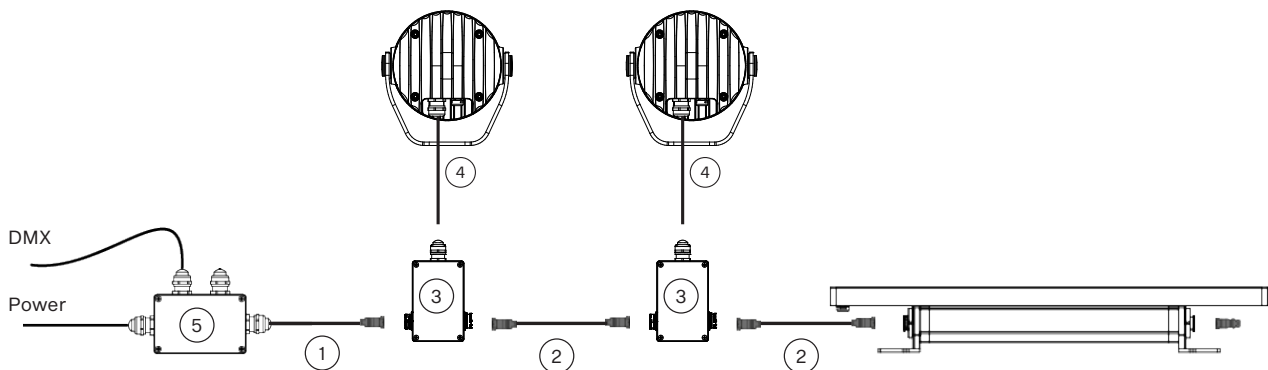
Note: This type of connection must have M, L or XL versions as the first luminaire. Next luminaires in a row could be chosen from S, M, L or XL versions.



DMX WITH JUNCTION BOX FOR CALUMMA L / EMINERE (CE)

- 1) Leader Cables FF - 2 | 5 | 10 | 25 | 50 m
- 2) Jumper Cables FF/FM - 0.25 | 0.5 | 1 | 2 | 3 | 5 | 10 m
- 3) Junction Box for Calumma S–XL / Eminere CE (10981268 for RAL9011)
- 4) Flamar 3x16 AWG + 1x(2x24 AWG) - (13051508) Standard 1 m with bare-end, black or HYB-5731ZH LSZH (13053694), Hybrid Cable, white
- 5) Junction Box

Note: The last unplugged connector must be fitted with a Waterproof Cap to protect the IP rating.

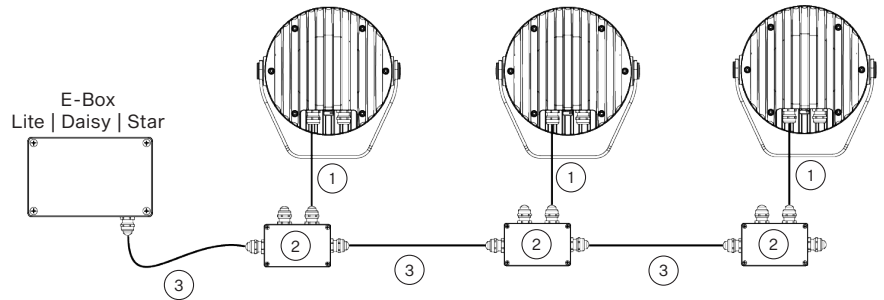


CONTROL AND CONNECTION OPTIONS - CE

DMX or ETHERNET via E-BOX

- 1) Flamar 3x16 AWG + 1x(2x24 AWG) - (13051508), Standard 1 m with bare-end, black or HYB-5731ZH LSZH (13053694), Hybrid cable, white
- 2) Junction Box
- 3) Flamar 3x16 AWG + 1x(2x24 AWG) - (13051508), black or HYB-5731ZH LSZH (13053694), Hybrid cable, white or Scope of Others

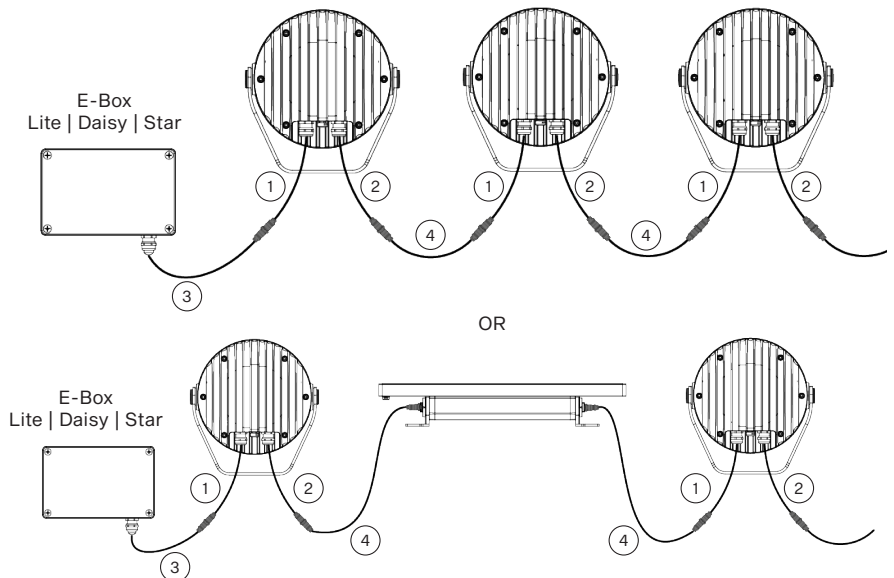
Note: This type of connection is available for S, M, L, and XL versions. E-Box has to be in Pass Through mode only.



- 1) Leader Cable MM (13053493) Standard 0.5 m with hybrid connector
- 2) Leader Cable MF (13053494) Standard 0.5 m with hybrid connector
- 3) Leader Cable FF 2 m (13053438)
Leader Cable FF 5 m (13053440)
Leader Cable FF 10 m (13053436)
Leader Cable FF 25 m (13053437)
Leader Cable FF 50 m (13053439)

- 4) Jumper Cable FF/FM 0.25 m (13053422)
Jumper Cable FF/FM 0.5 m (13053423)
Jumper Cable FF/FM 1 m (13053425)
Jumper Cable FF/FM 2 m (13053427)
Jumper Cable FF/FM 3 m (13053428)
Jumper Cable FF/FM 5 m (13053430)
Jumper Cable FF/FM 10 m (13053424)

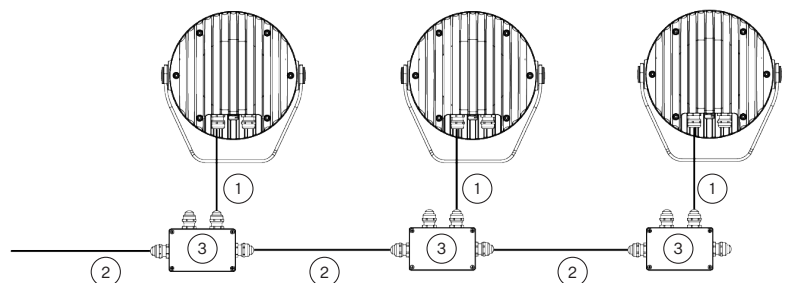
Note: With this type of connection is possible to connect Calumma (M, L, XL) and Eminere (Eminere, Eminere Side) luminaires in a row.



ON/OFF

- 1) H07RN-F 3G 1.5 (13050919), 3-cored cable, Standard 1 m with bare-end, black
- 2) H07RN-F 3G 1.5 (13050919), 3-cored cable, Standard 1 m with bare-end, black or Scope of Others
- 3) Junction Box or Scope of Others

Note: This type of connection is available for Pure White and single colour version only. Non dimmable.

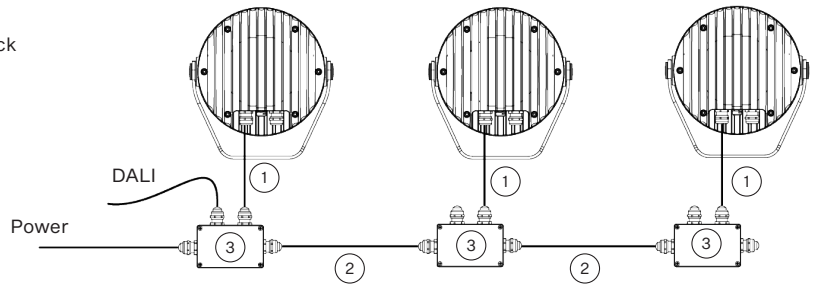


CONTROL AND CONNECTION OPTIONS - US

DALI

- 1) SJTW 5x14 AWG (13053693), Standard 1 m with bare-end, black or Cable SJTW 5x14 AWG (13053697), white
- 2) SJTW 5x14 AWG (13053693), black or Cable SJTW 5x14 AWG (13053697), white or Scope of Others
- 3) Junction Box

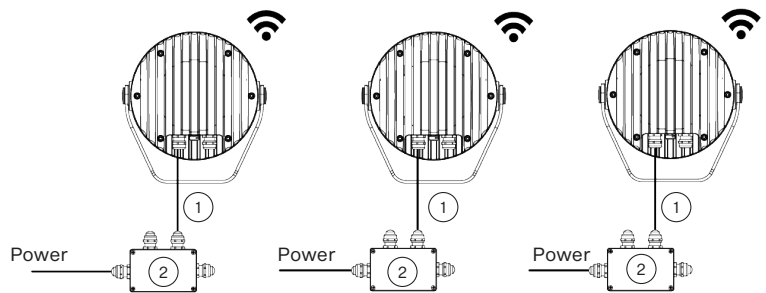
Note: The last unplugged connector must be fitted with a Waterproof Cap to protect the IP rating.



WIRELESS DMX

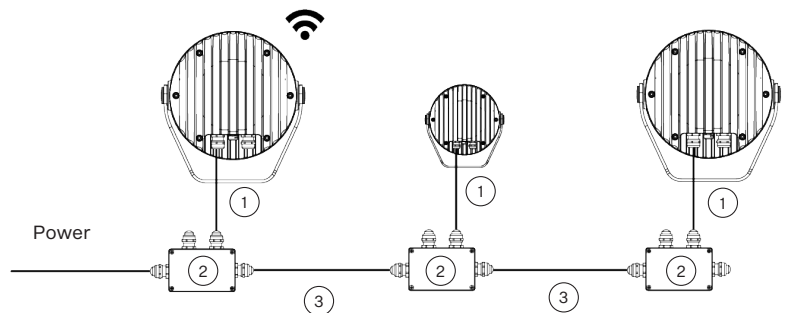
- 1) SJTW 6x14 AWG (13053480), Standard 1 m with bare-end, black or Cable SJTW 6x14 AWG (13053695), white
- 2) Junction Box

Note: This type of connection is available for M, L, XL versions



- 1) SJTW 6x14 AWG (13053480), Standard 1 m with bare-end, black or Cable SJTW 6x14 AWG (13053695), white
- 2) Junction Box
- 3) SJTW 6x14 AWG (13053480), black or Cable SJTW 6x14 AWG (13053695), white or Scope of Others

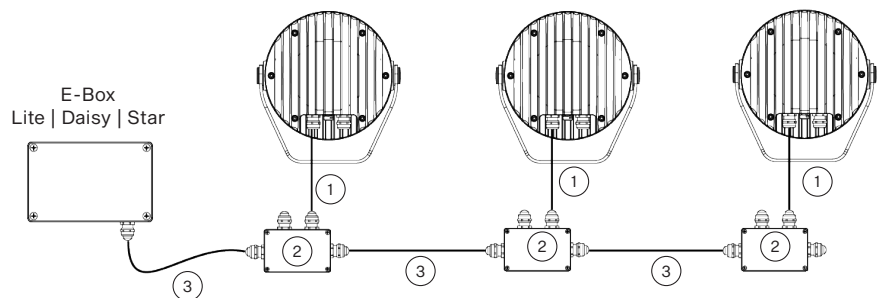
Note: This type of connection must have M, L or XL versions as the first luminaire. Next luminaires in a row could be chosen from S, M, L or XL versions.



DMX or ETHERNET via E-BOX

- 1) SJTW 6x14 AWG (13053480) Standard 1 m with bare-end, black or Cable SJTW 6x14 AWG (13053695), white
- 2) Junction Box
- 3) SJTW 6x14 AWG (13053480), black or Cable SJTW 6x14 AWG (13053695), white or Scope of Others

Note: This type of connection is available for S, M, L, and XL versions. E-Box has to be in Pass Through mode only.

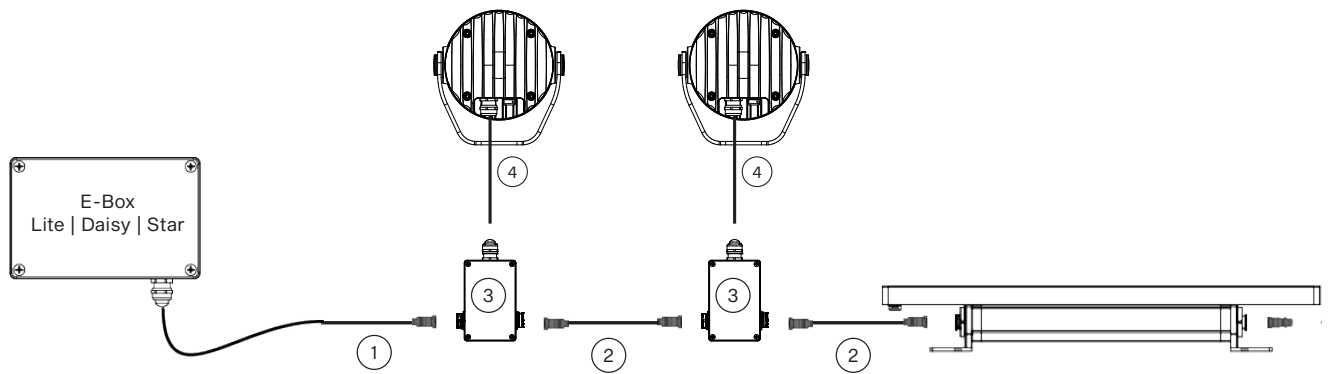


CONTROL AND CONNECTION OPTIONS - US

DMX WITH JUNCTION BOX FOR CALUMMA L / EMINERE (US)

- 1) Leader Cables FF - 2 | 5 | 10 | 25 | 50 m
- 2) Jumper Cables FF/FM - 0.25 | 0.5 | 1 | 2 | 3 | 5 | 10 m
- 3) Junction Box for Calumma S-XL / Eminere US (10981269 for RAL9011)
- 4) SJTW 6x 14AWG (13053480) Standard 1 m with bare-end, black or Cable SJTW 6x 14AWG (13053695), white

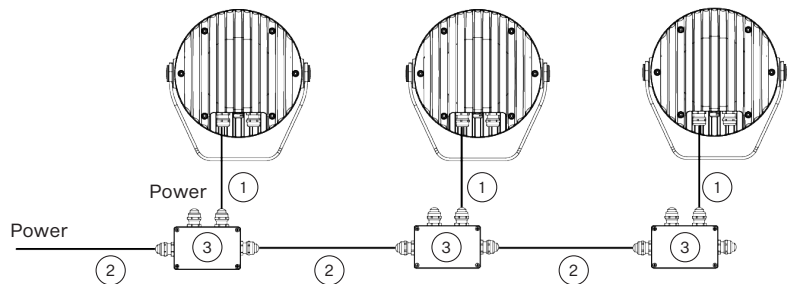
Note: The last unplugged connector must be fitted with a Waterproof Cap to protect the IP rating.



ON/OFF

- 1) SEOOW power 3x16 AWG (13051558-01), 3-cored cable, standard 1 m with bare-end, black
- 2) SEOOW power 3x16 AWG (13051558-01), 3-cored cable, standard 1 m with bare-end, black or Scope of Others
- 3) Junction Box or Scope of Others

Note: This type of connection is available for Pure White & single color version only. Non dimmable.



CONNECTIVITY

Following table shows maximum connected Calummas L SC in a row with respect of cable length.

STANDARD MODE	Cable length (m)	Voltage (V)			
		120	190	230	277
CALUMMA L SC	10	17	26	32	38
	20	17	26	32	38
	30	12	26	32	38
	50	7	18	26	37
	70	5	13	18	27
	100	3	9	13	19
	200	3	4	6	9
	500	1	2	3	4

PASS-THROUGH MODE	Cable length (m)	Voltage (V)			
		120	190	230	277
CALUMMA L SC	10	17	26	32	32
	20	17	26	32	32
	30	12	26	32	32
	50	7	18	26	32
	70	5	13	18	27
	100	3	9	13	19

PROJECTED AREA

	Front (rear) - m ²	Front (rear) ft ²	Side - m ²	Side - ft ²	Top - m ²	Top - ft ²
Calumma L	0,080	0,861	0,037	0,398	0,035	0,373
with Top Hat	0,080	0,861	0,087	0,936	0,085	0,911
with Half Top Hat	0,080	0,861	0,059	0,635	0,082	0,882

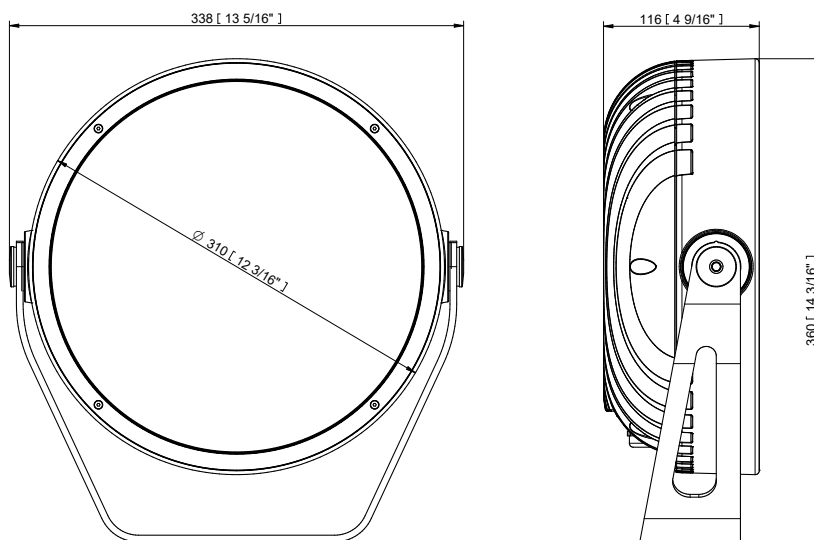
BOOSTER BOX POSITIONS

Cable length (m)	Max. number of Calummas L MC= 191 (in Standard mode)			
	120 V	190 V	230 V	277 V
10 m	14, 28	22	27	-
20 m	14, 28, 42, 54	22, 44	27, 54	32
30 m	10, 20, 30, 40, 50, 60, 70, 80	22,44,66	27,54,81	32,64
50 m	6, 12, 18, 24, 30, 36, 42, 48, 54, 60, 66, 72, 78, 84, 90, 96, 102....	15, 30, 45, 60, 75, 90, 105, 120, 135..	22, 44, 66, 88, 110, 132...	32, 64, 96, 128...
70 m	4, 8, 12, 16, 20, 24, 28, 32, 36, 40, 44, 48, 52, 56, 60, 64, 68, 72, 76, 80, 84....	11, 22, 33, 44, 55, 66, 77, 88, 99, 110...	16, 32, 48, 64, 80, 96, 112, 128, 144...	23, 46, 69, 92, 115, 138, 161, ...
100 m	3, 6, 9, 12, 15, 18, 21, 24, 27, 30, 33, 36, 39, 42, 45, 48, 51, 54, 57, 60, 63, 66, 69, 72, 75, 78, 81...	7, 14, 21, 28, 35, 42, 49, 56, 63, 70, 77, 84, 91, 98, 105...	11, 22, 33, 44, 55, 66, 77, 88, 99, 110, 121, 132...	16, 32, 48, 64, 80, 96, 112, 128, 144, 160
200 m	1, 2, 3, 4, 5, 6, 7, 8, 9, 10, 11....	4, 8, 12, 16, 20, 24, 28, 32, 36, 40, 44, 48, 52, 56, 60, 64, 68, 72, 76, 80, 84...	5, 10, 15, 20, 25, 30, 35, 40, 45, 50, 55, 60, 65, 70, 75...	8, 16, 24, 32, 40, 48, 56, 64, 72, 80, 88, 96...
500 m	1, 2, 3, 4, 5, 6, 7, 8, 9, 10, 11....	1, 2, 3, 4, 5, 6, 7, 8, 9, 10, 11....	2, 4, 6, 8, 10, 12, 14, 16, 18, 20...	3, 6, 9, 12, 15, 18, 21....

NOTE: For more detail see the User manual.

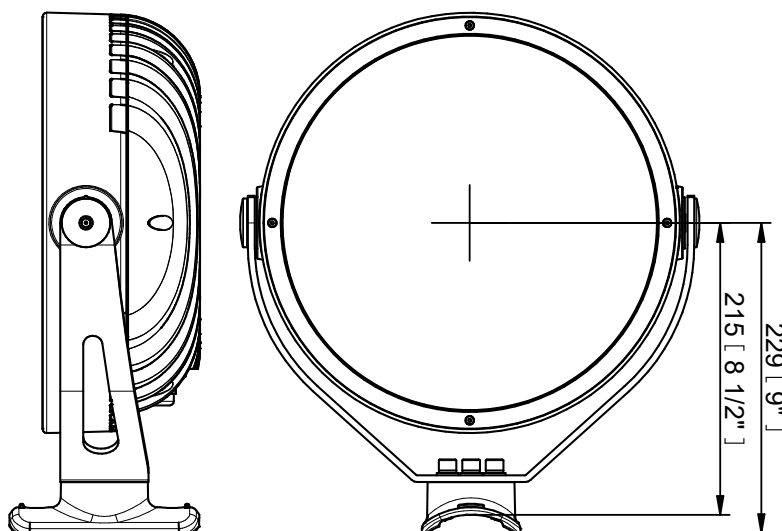
DIMENSIONS

Standard Yoke



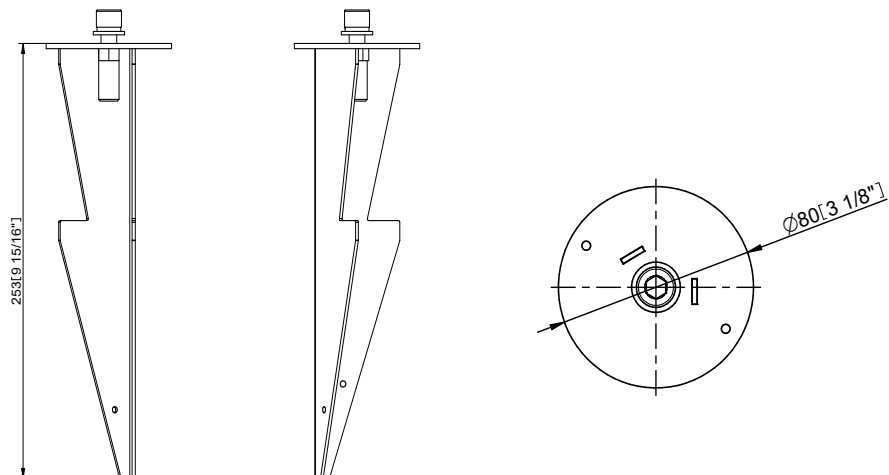
Yoke for Pole Adaptor (with Pole Adaptor / PA)

Example of ordering code: Calumma L SC RGCW 15° PA

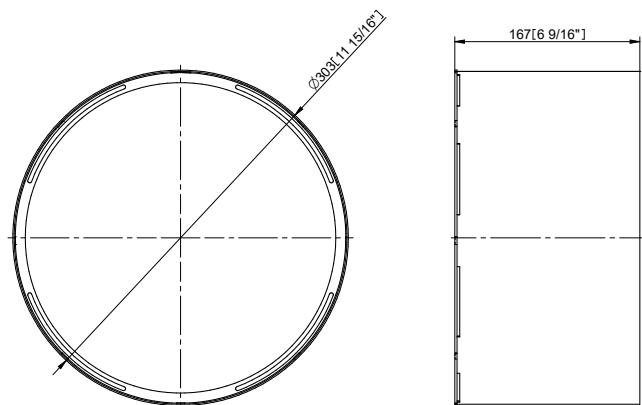


ACCESSORIES

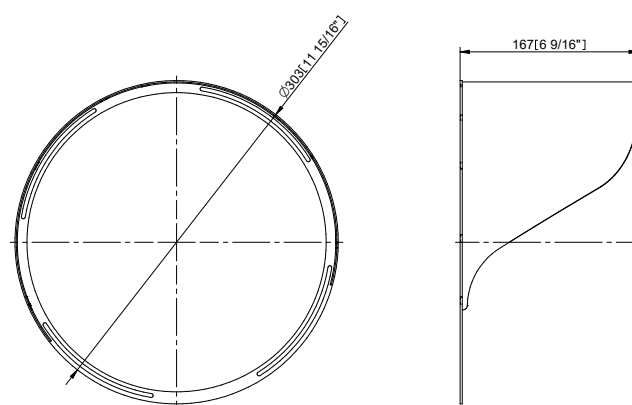
Land Spike for Calumma (S, M, L, XL)



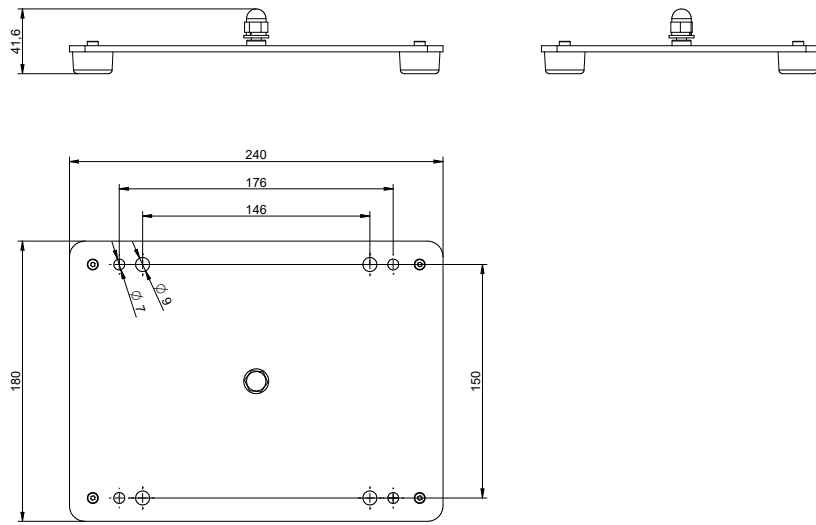
Top Hat



Half Top Hat



Floor Stand



Pole Adaptor

