

CALUMMA™ UN S SC

Featuring an optical system with 3 high-efficacy single-chip LEDs, the compact Calumma UN S delivers precise and refined light output in a small form factor. Available in optional LED colour variants and equipped with a single ultra-narrow 5° beam angle, it is especially suited for wall grazing and accurate highlighting of vertical surfaces with minimal light spill. Its robust housing is engineered to withstand demanding outdoor environments, while a dedicated finish for harsh and marine conditions ensures long-term durability in elegant architectural applications. A broad selection of accessories, control protocols and connection options makes Calumma UN S SC a flexible and efficient solution for professional architectural lighting projects.



KEY FEATURES

Lumen output & Light source

Luminaire with 3 high-power, singlechip LEDs provides up to 1446 output (@10°, RGBW). No light spills. Well homogenised light output with great efficacy up to 65 lm/w.

Design & Durability

Compact, durable and stylish housing made of high-pressure die cast aluminium. IP67 and IK10 certification; suitable for marine applications (Harsh Environment Finish required) and traffic applications. Supported with a 5 year warranty.

Flexibility

With its ultra-narrow 5° optic, Calumma UN S produces a precise, tightly focused beam ideal for wall grazing and enhancing textures like stone, brick, or relief surfaces. Its compact design allows discreet installation in façades, narrow recesses, or for highlighting fine architectural details with controlled light.

Connectivity

Calumma UN S can be connected via an E-Box for almost effortless installation. DMX512+RDM and wide range of Ethernet protocols are available for E-Box control. DMX/RDM or DALI 2 interface protocols facilitate standard connection options.

COLOURS

STANDARD



PW
(3000 K)

UPON REQUEST



3.000 K

AVAILABLE COLOURS
FOR CUSTOM SETUP

CONTROL & PROTOCOLS



OPTIONAL



OPTIONAL



OPTIONAL



PW & SINGLE
COLOUR
ONLY

OPTIC OPTIONS



5°

FINISH OPTIONS

* CLOSEST RAL TONE
* HE = Harsh Environment



Graphite Black
RAL 9011*



Grey Aluminium
RAL 9007



Sandstone
RAL 1014*



Pure White
RAL 9010



HE
Graphite Black
RAL 9011*



HE
Grey Aluminium
RAL 9007



HE
Sandstone
RAL 1014*



HE
Pure White
RAL 9010



Custom
Paint Colour

STANDARD & SPECIFICATION



Warranty
with
Registration

Vibration
Standard
for Bridge

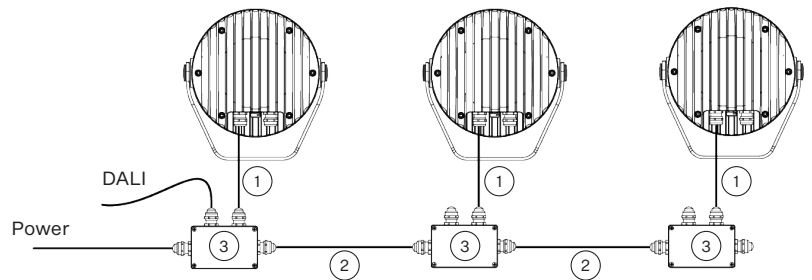
SPECIFICATION

ELECTRICAL	Input Voltage	120–277 V AC 50/60 Hz (US)		
	Typical Power Consumption	28 W +/-10 %		
OPTICAL	Light Source	3 High Power Single Chip LEDs		
	Colour Variants	PW (W - 3000 K)		
	Beam Angle	5°		
	Lumen Output Delivered	1446 lm (@ 5°, PW 3000 K) TBC		
	Projected Lumen Maintenance	L90B10 >90.000 hrs, Ta = 25°C / 77°F		
CONTROL	Interface Protocol	DMX/RDM, DALI 2 or ON/OFF (PW & single colour only)		
	DALI 2 Device Type	DT 8		
	Control System	Third Party DMX Controllers		
	Operating Modes	DMX, Stand-alone		
	Settings / Addressing	E-Box, RDM communicator		
	Power Supply	Integrated		
PHYSICAL	Width x Height x Depth	189 x 196 x 119 mm (7.4 x 7.7 x 4.7 in.)		
	Weight	3.68 kg 8.11 lbs		
	Housing	High Pressure Die-Cast Aluminium Body		
		Tempered Glass		
	Finish Options	Standard Colour	Graphite Black RAL 9011 Grey Aluminium RAL 9007 Pure White RAL 9010 Sandstone RAL 1014	
		Standard Colour Harsh Environment	Graphite Black RAL 9011 Grey Aluminium RAL 9007 Pure White RAL 9010 Sandstone RAL 1014	
		Cost Option	Custom RAL	
	Cables / Connections	IN (for DMX, DALI):	- 1 m cable with bare end - Other cable length - custom - Junction box - optional	
	Mounting Method	Yoke or Yoke for Pole Adaptor		
	Adjustability	+180° / -180°		
Protection Factor	IP67 / Suitable For Wet Locations			
IK Rating	IK10			
Cooling System	Convection			
Operating Ambient Temperature	-20°C / +50°C (-4°F / +122°F)			
CERTIFICATION	Listings	ETL / cETL, CE, RoHS, UKCA		
ACCESSORIES	Not Included Items	Junction Box for Calumma S–XL / Eminere (CE or US)		
		Re-enterable Electrical Insulating Resin		
		Land Spike for Calumma S		
		Top Hat Calumma S		
		Half Top Hat Calumma S		
		Floor Stand for Calumma S, M		
Pole Adaptor (ø 102mm) (Yoke for Pole Adaptor Required)				

CONTROL AND CONNECTION OPTIONS - CE

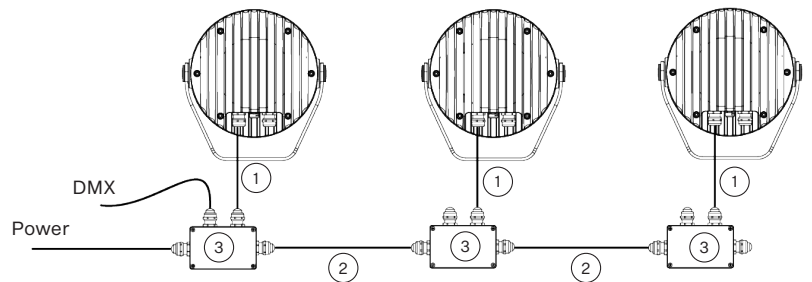
DALI

- 1) Hybrid Cable (13053693) Standard 1 m with bare-end, black or on request Hybrid cable (13053697), 1 m with bare-end, white
- 2) Hybrid Cable (13053693) Standard 1 m with bare-end, black or on request Hybrid cable (13053697), 1 m with bare-end, white or Scope of Others
- 3) Junction Box



DMX

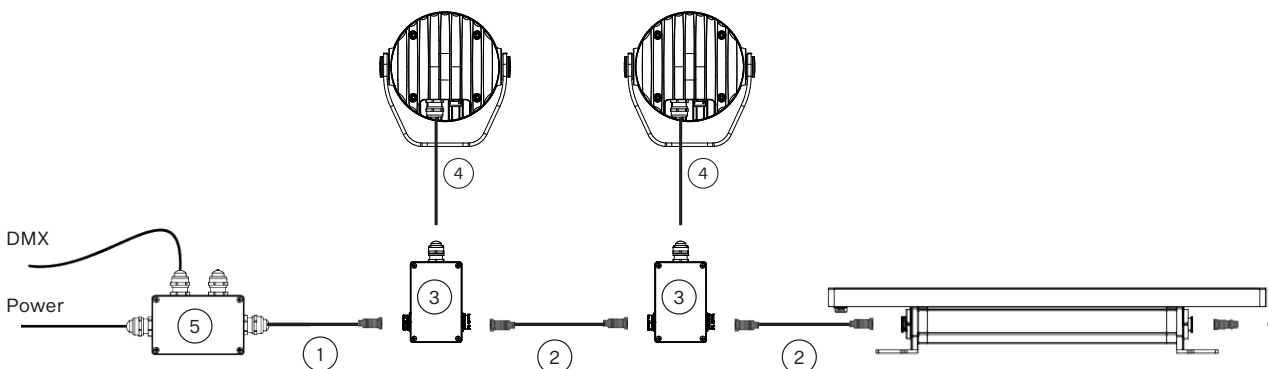
- 1) Flamar 3x16 AWG + 1x(2x24 AWG) Standard 1 m with bare-end, (13051508), black or Hybrid Cable HYB-5731ZH LSZH (13053694), white
- 2) Flamar 3x16 AWG + 1x(2x24 AWG), (13051508), black or Hybrid Cable HYB-5731ZH LSZH (13053694), white or Scope of Others
- 3) Junction Box



DMX WITH JUNCTION BOX FOR CALUMMA S / EMINERE (CE)

- 1) Leader Cables FF - 2 | 5 | 10 | 25 | 50 m
- 2) Jumper Cables FF/FM - 0.25 | 0.5 | 1 | 2 | 3 | 5 | 10 m
- 3) Junction Box for Calumma S-XL / Eminere CE (10981268 for RAL9011)
- 4) Flamar 3x16 AWG + 1x(2x24 AWG) Standard 1 m with bare-end (13051508), black or Hybrid Cable HYB-5731ZH LSZH (13053694), white
- 5) Junction Box

Note: The last unplugged connector must be fitted with a Waterproof Cap to protect the IP rating.

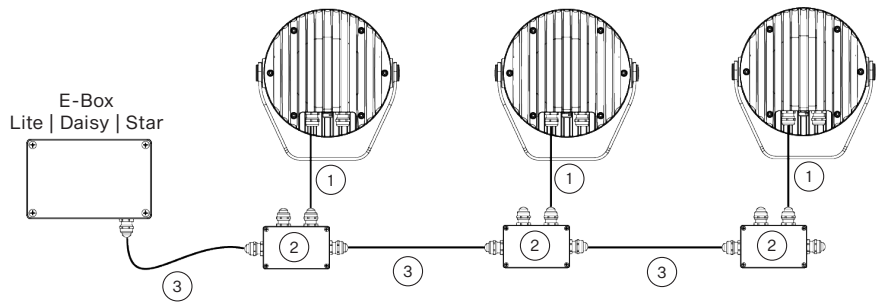


CONTROL AND CONNECTION OPTIONS - CE

DMX or ETHERNET via E-BOX

- 1) Flamar 3x16 AWG + 1x(2x24 AWG) - (13051508), Standard 1 m with bare-end, black or HYB-5731ZH LSZH (13053694), Hybrid Cable, white
- 2) Junction Box
- 3) Flamar 3x16 AWG + 1x(2x24 AWG) - (13051508), black or HYB-5731ZH LSZH (13053694), Hybrid Cable, white or Scope of Others

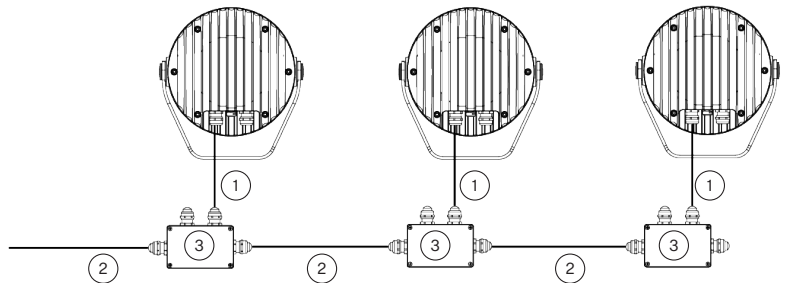
Note: This type of connection is available for S, M, L, and XL versions. E-Box has to be in Pass Through mode only.



ON/OFF

- 1) H07RN-F 3G 1.5 (13050919), 3-cored cable, standard 1 m with bare-end, black
- 2) H07RN-F 3G 1.5 (13050919), 3-cored cable, standard 1 m with bare-end, black or Scope of Others
- 3) Junction Box or Scope of Others

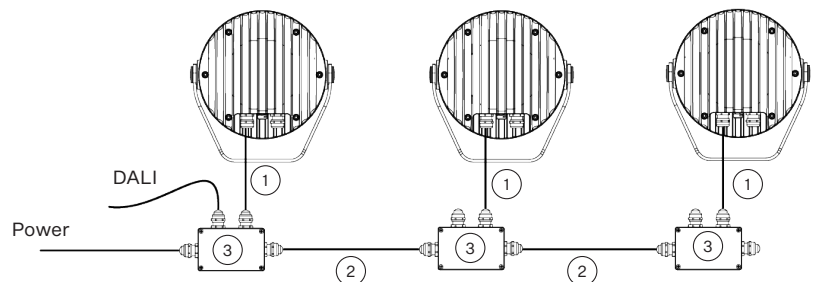
Note: This type of connection is available for Pure White and single color version only. Non dimmable.



CONTROL AND CONNECTION OPTIONS - US

DALI

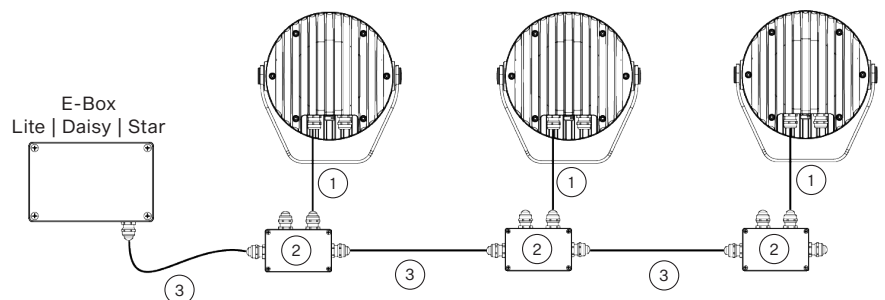
- 1) SJTW 5x14 AWG (13053693), standard 1 m with bare-end, black or Cable SJTW 5x14 AWG (13053697), white
- 2) SJTW 5x14 AWG (13053693), black or Cable SJTW 5x14 AWG (13053697), white or Scope of Others
- 3) Junction Box



DMX or ETHERNET via E-BOX

- 1) SJTW 6x14 AWG (13053480) Standard 1 m with bare-end, black or Cable SJTW 6x14 AWG (13053695), white
- 2) Junction Box
- 3) SJTW 6x14 AWG (13053480), black or Cable SJTW 6x14 AWG (13053695), white or Scope of Others

Note: This type of connection is available for S, M, L, and XL versions. E-Box has to be in Pass Through mode only.

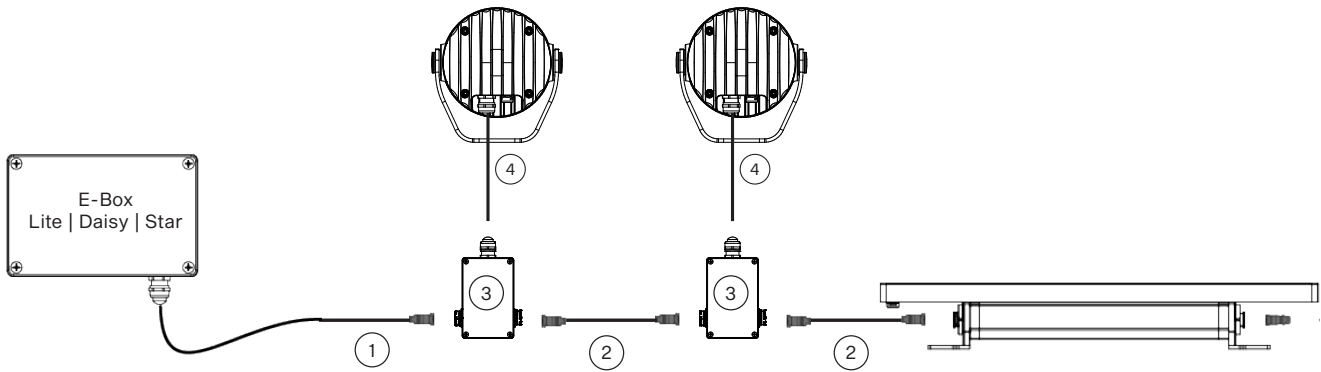


CONTROL AND CONNECTION OPTIONS - US

DMX WITH JUNCTION BOX FOR CALUMMA S / EMINERE (US)

- 1) Leader Cables FF - 2 | 5 | 10 | 25 | 50 m
- 2) Jumper Cables FF/FM - 0.25 | 0.5 | 1 | 2 | 3 | 5 | 10 m
- 3) Junction Box for Calumma S–XL / Eminere US (10981269 for RAL9011)
- 4) SJTW 6x14 AWG (13053480), standard 1 m with bare-end, black or Cable SJTW 6x14 AWG (13053695), white

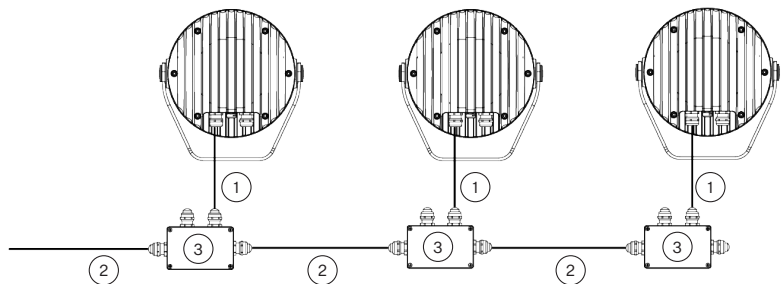
Note: The last unplugged connector must be fitted with a Waterproof Cap to protect the IP rating.



ON/OFF

- 1) SEOW power 3x16 AWG (13051558-01), 3-cored cable, standard 1 m with bare-end, black
- 2) SEOW power 3x16 AWG (13051558-01), 3-cored cable, standard 1 m with bare-end, black or Scope of Others
- 3) Junction Box or Scope of Others

Note: This type of connection is available for Pure White & single color version only. Non dimmable.



CONNECTIVITY

Following table shows maximum connected Calummas S SC in a row with respect of cable length.

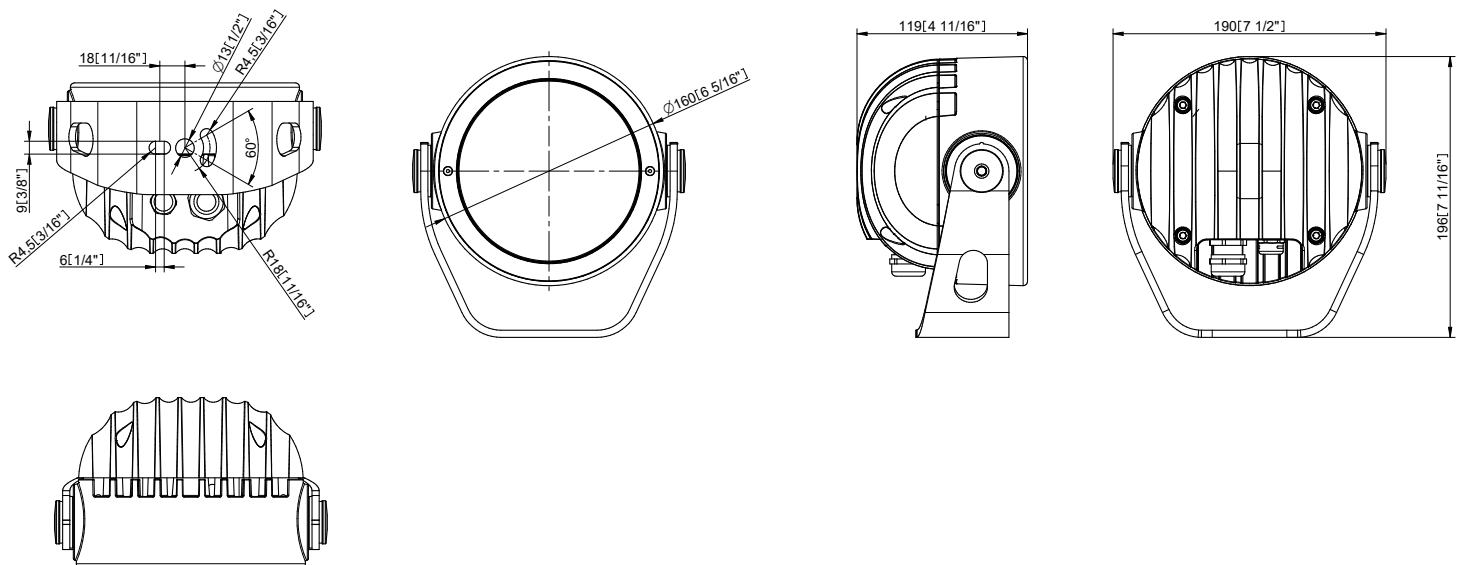
	Cable length (m)	Voltage (V)			
		120	190	230	277
CALUMMA S SC	10	32	32	32	32
	20	32	32	32	32
	30	32	32	32	32
	50	26	32	32	32
	70	18	32	32	32
	100	13	32	32	32

PROJECTED AREA

	Front (rear) - m ²	Front (rear) ft ²	Side - m ²	Side - ft ²	Top - m ²	Top - ft ²
Calumma S	0,023	0,250	0,019	0,207	0,018	0,196
with Top Hat	0,023	0,250	0,027	0,290	0,027	0,290
with Half Top Hat	0,023	0,250	0,022	0,232	0,027	0,290

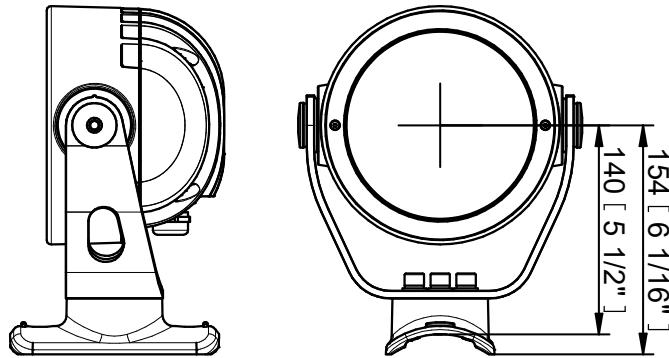
DIMENSIONS

Standard Yoke



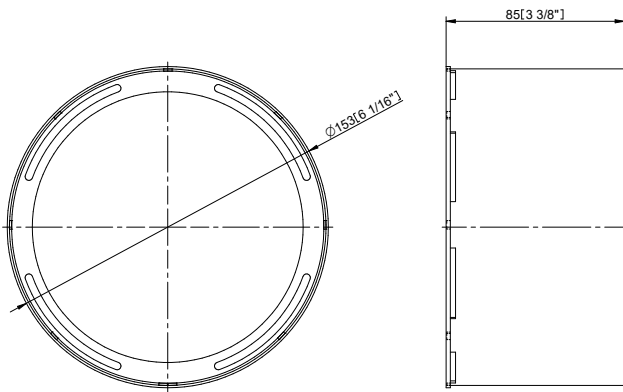
Yoke for Pole Adaptor (with Pole Adaptor / PA)

Example of ordering code: Calumma S SC RGCW 15° PA

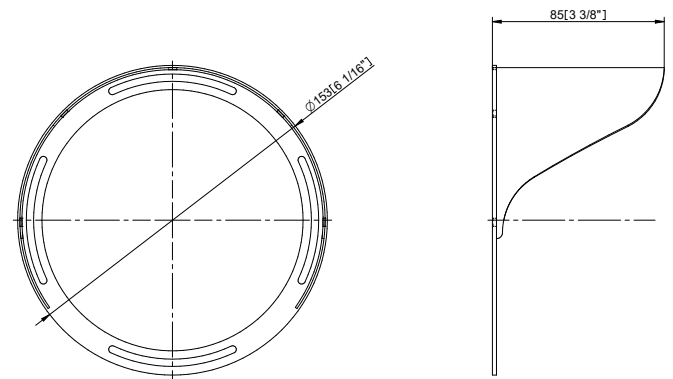


ACCESSORIES

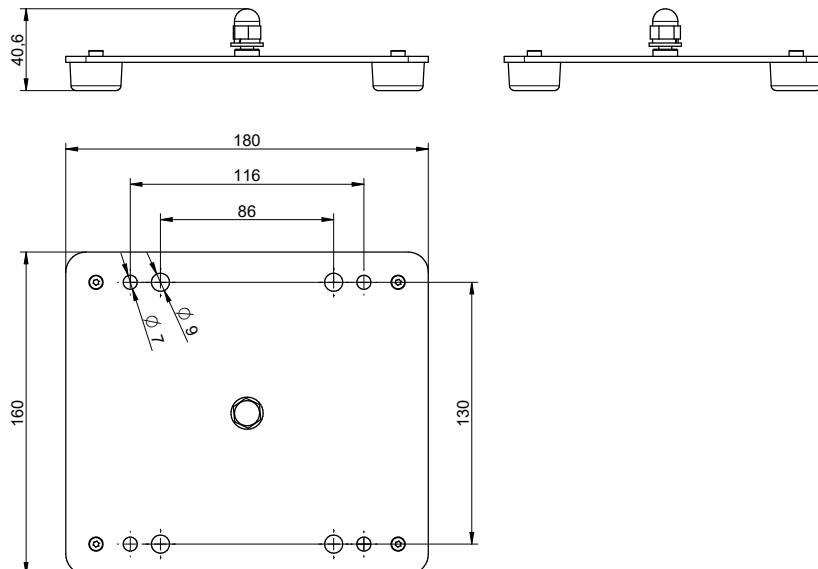
Top Hat



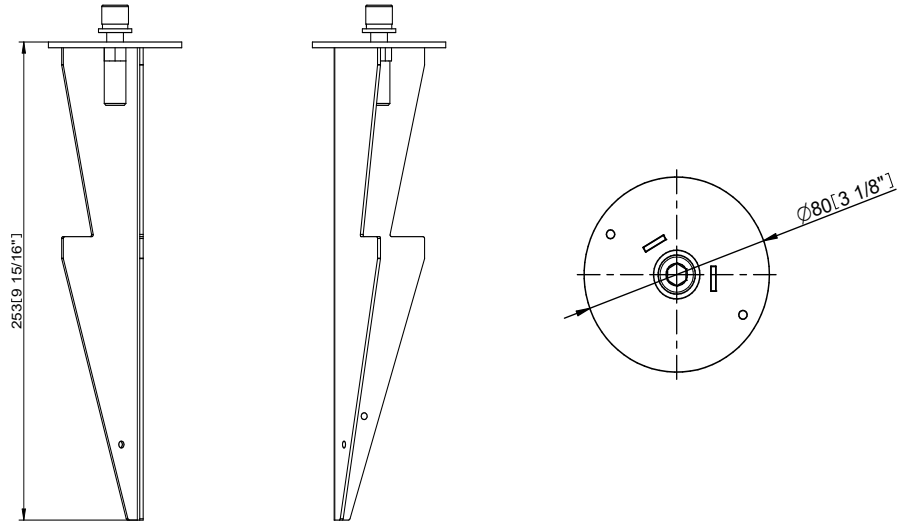
Half Top Hat



Floor Stand



Land Spike for Calumma (S, M, L, XL)



Pole Adaptor

