

QR code for Installations Instructions



The unit must be installed by a qualified electrician in accordance with all national and local electrical and construction codes and regulations.

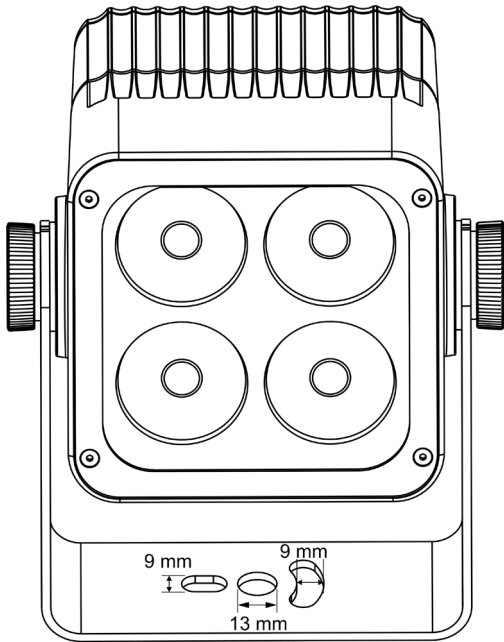


**STEP 1
INSTALLATION**

1

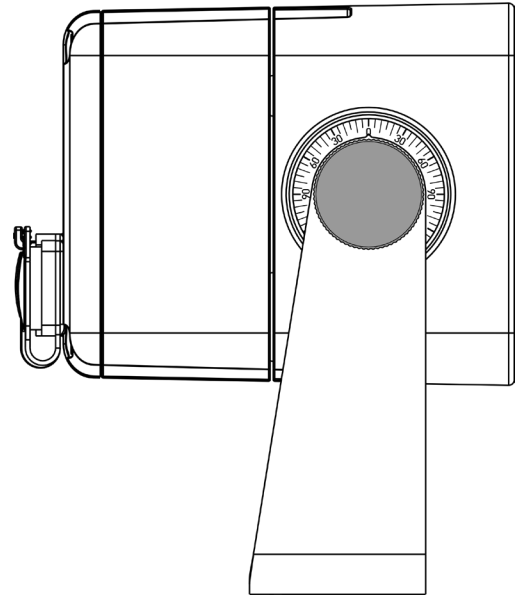


Use fasteners that are appropriate for use with your mounting surface



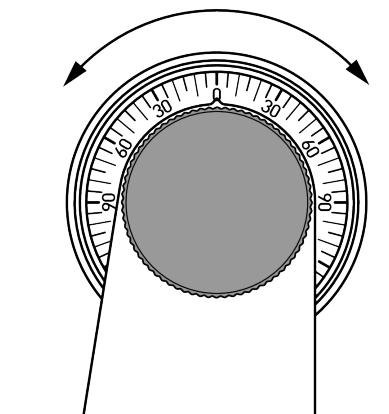
Fasten the yoke of the APPOLI to the surface.

2



Release tilting lock on each side of Luminaire.

3



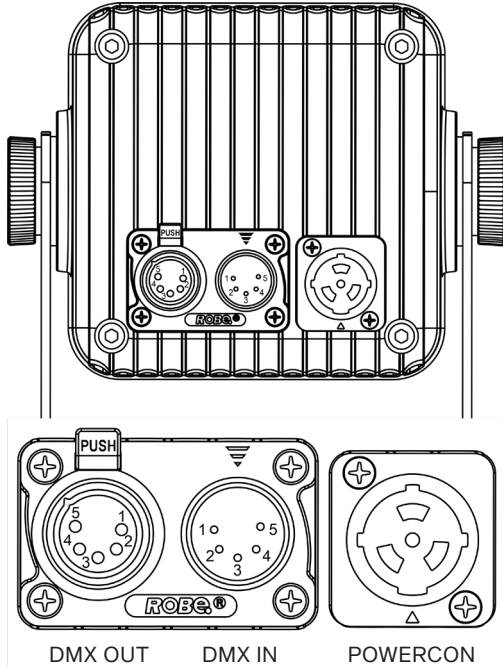
Adjust tilt of Luminaire in range of +40°/-45°.



The unit must be installed by a qualified electrician in accordance with all national and local electrical and construction codes and regulations.



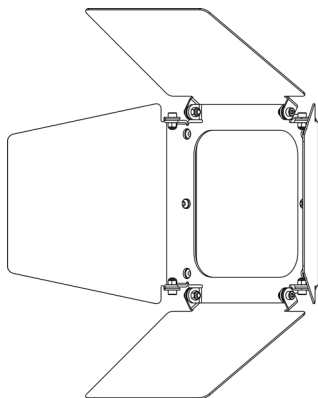
**STEP 2
CONNECTION**



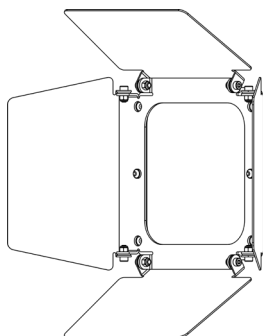
Use standard DMX and POWERCON connectors for connection.

STEP 3
INSTALLATION OF ACCESSORIES

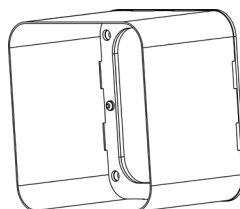
BARNDOOR LONG



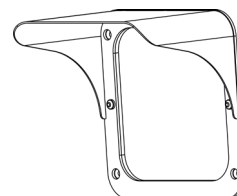
BARNDOOR SHORT



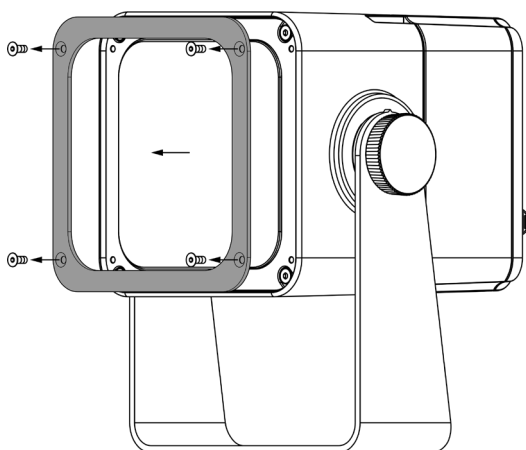
TOP HAT



HALF TOP HAT

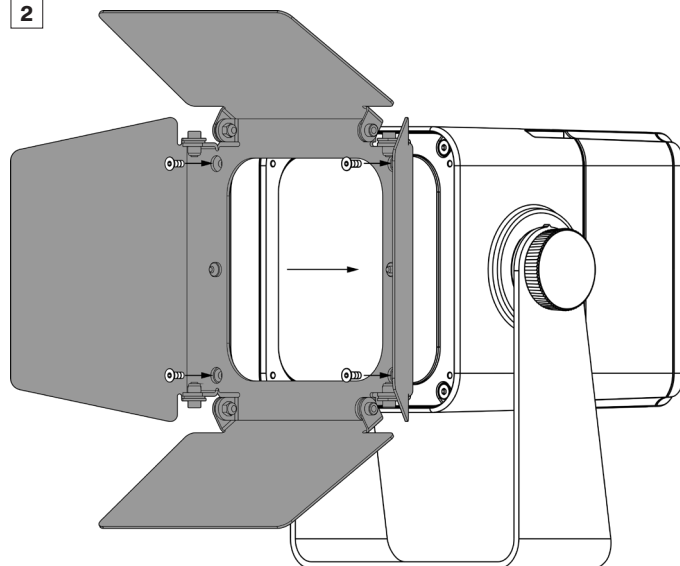


1



Unscrew the four screws and remove the cover plate.

2



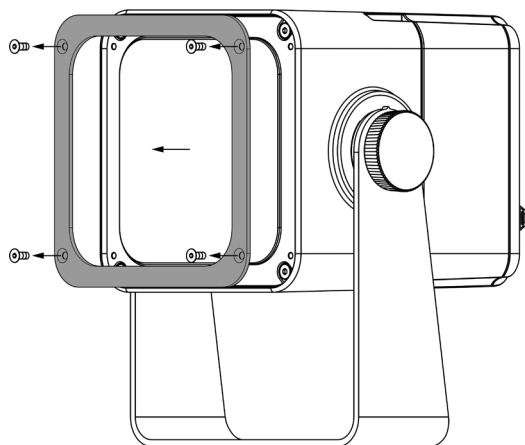
Place the accessories on the Luminaire and secure with the four screws.

NOTE:

Same installation for BARNDOOR LONG, BARNDOOR SHORT, TOP HAT, HALF TOP HAT

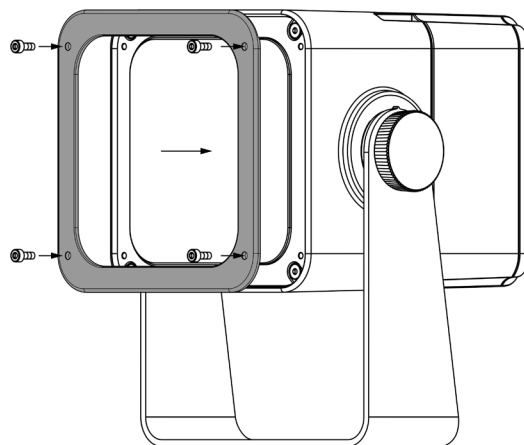
Optical Demo Set

1



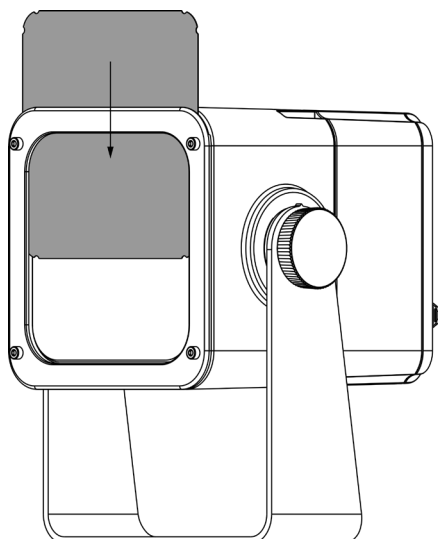
Unscrew the four screws and remove the cover plate.

2



Place the accessories on the Luminaire and secure with the four screws.

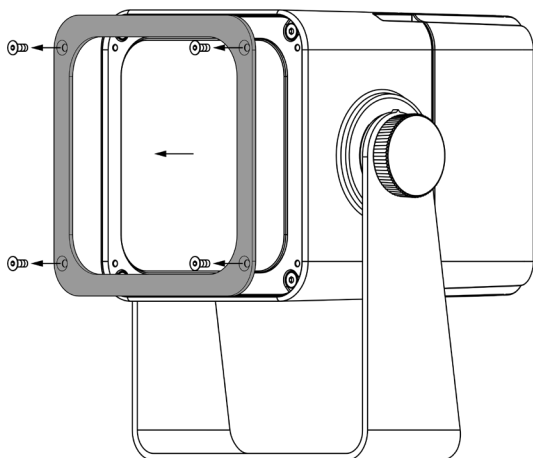
3



Insert the optical foil into the holder.

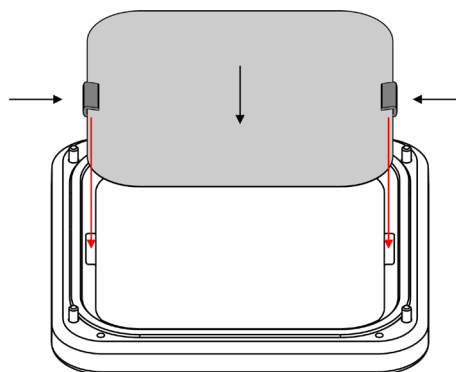
Optical Foil Holder

1



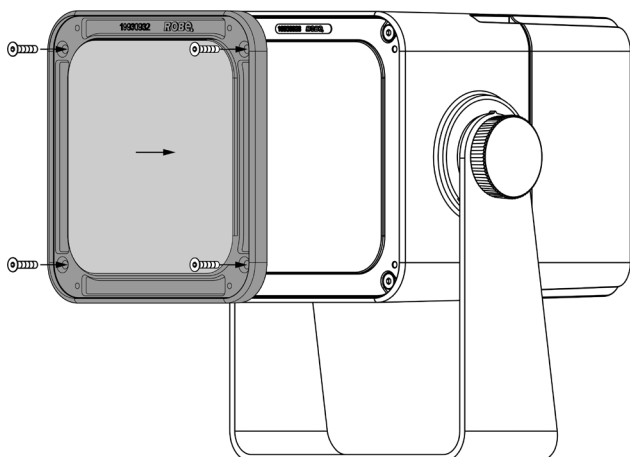
Unscrew the four screws and remove the cover plate.

2



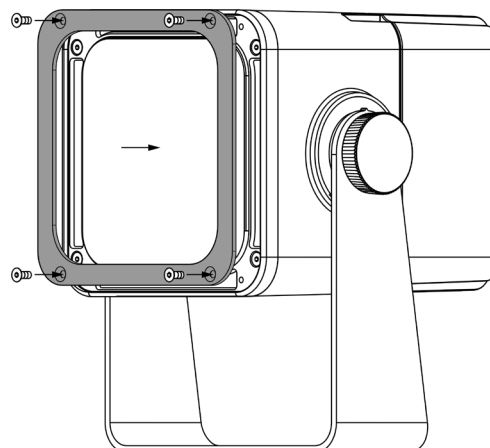
Insert the rubber U profiles onto the optical foil and insert into the accessories.

3



Place the accessories on the Luminaire and secure with the four screws.

4



Turn the cover plate 90° and screw in with the four screws.