

QR code for Installations Instructions



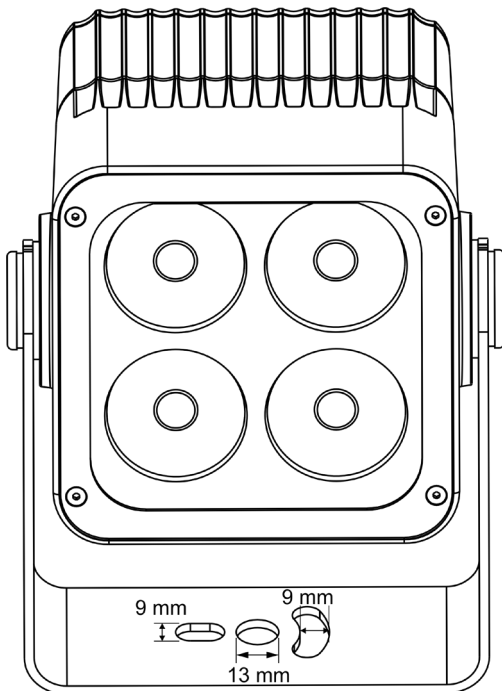
The unit must be installed by a qualified electrician in accordance with all national and local electrical and construction codes and regulations.



STEP 1
INSTALLATION

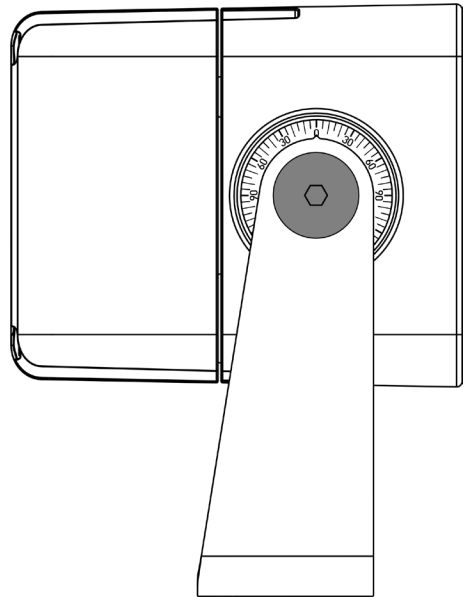
1

Use fasteners that are appropriate for use with your mounting surface



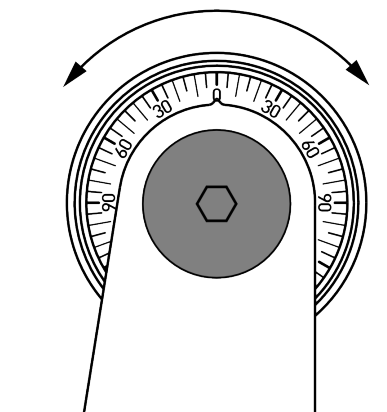
Fasten the yoke of the APPOLI to the surface.

2



Release tilting lock on each side of Luminaire.

3

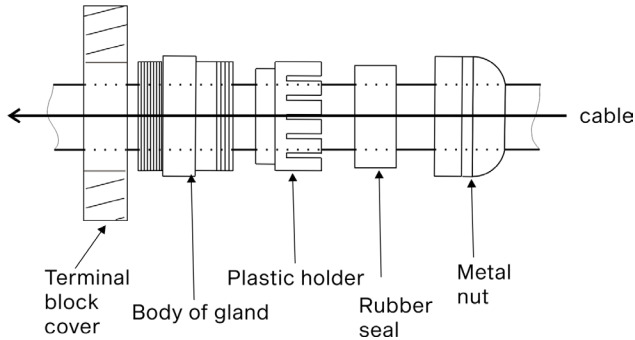


Adjust tilt of Luminaire in range of +40°/-45°.

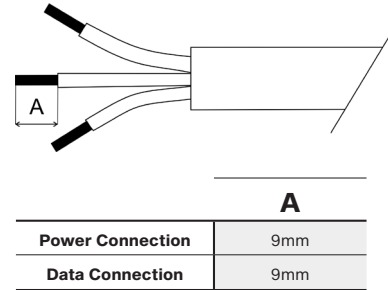
**STEP 2
CABLE GLAND INSTALLATION**

Slip the cable through the gland according to the picture below and do not assemble the gland yet.

Use wrench size 22 for cable gland M20x1.5



Strip these lengths for cable connections.



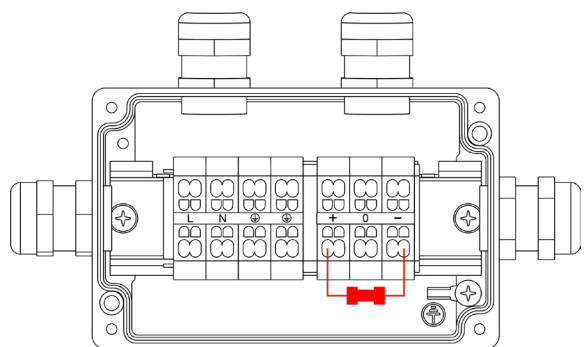
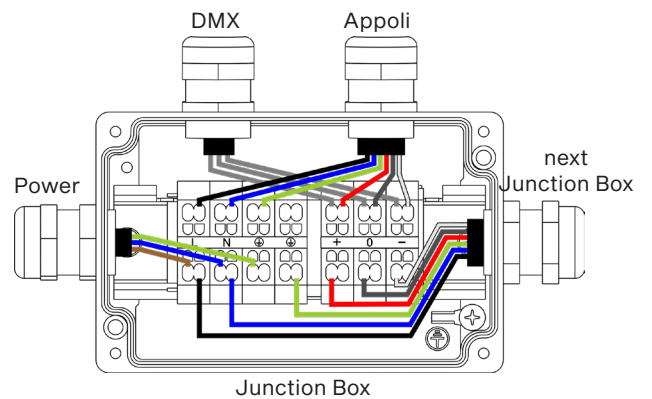
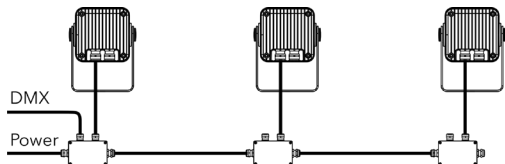
**STEP 3
APPOLI S CONNECTION - CE
(JUNCTION BOX IS NOT PART OF THE PACKAGE)**

DMX

A

Cable Connection – colour coding

WIRE	POWER CONNECTION	WIRE	DATA CONNECTION
Black	L	Red	Data + (+)
Blue	N	White	Data - (-)
Green/Yellow	⊕	Shielding	Data 0V (0)



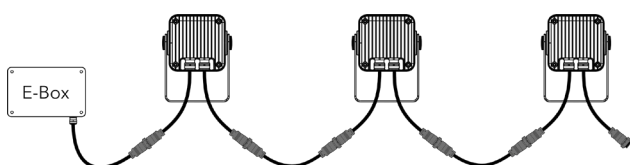
NOTE: DMX line of Appoli has to be terminated at the last fixture.

Connect a 120 Ohm resistor between terminals + and - in the junction box at fixture.

Ensure ONLY the last fixture in the line is terminated .

If connected to E-box Star, the last fixture on each line needs to be terminated.

B

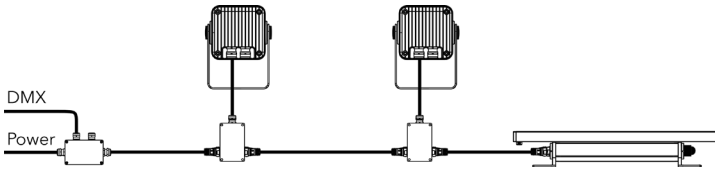


Note: The last unplugged connector must be fitted with a Waterproof Cap to protect the IP rating.

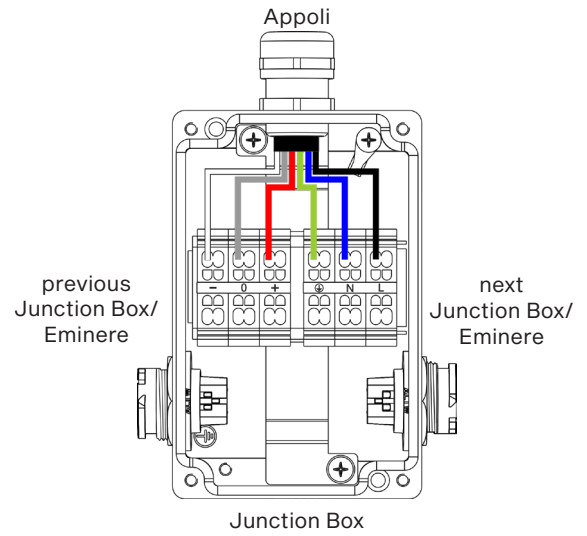
DMX WITH JUNCTION BOX FOR APPOLI S, CALUMMA S-XL / EMINERE

Cable Connection – EU colour coding

WIRE	POWER CONNECTION	WIRE	DATA CONNECTION
Black	L	Red	Data + (+)
Blue	N	White	Data - (-)
Green/Yellow	⊕	Shielding	Data 0V (0)



Note: The last unplugged connector must be fitted with a Waterproof Cap to protect the IP rating.

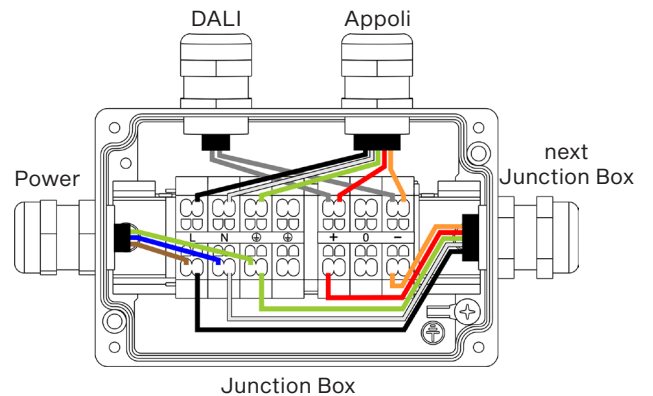
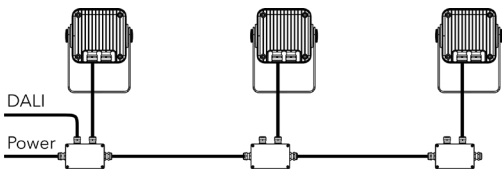


DALI

A

Connection – colour coding

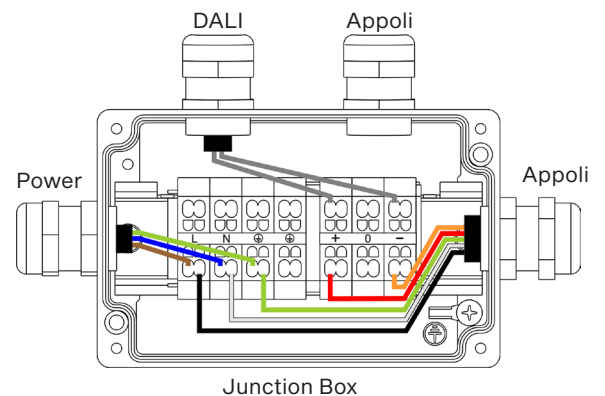
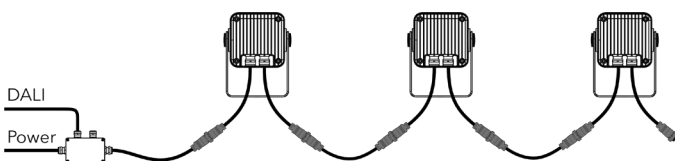
WIRE	POWER CONNECTION	WIRE	DATA CONNECTION
Black	L	Red	Data + (+)
White	N	Orange	Data - (-)
Green/Yellow	⊕	/	Data 0V (0)



B

Connection – colour coding

WIRE	POWER CONNECTION	WIRE	DATA CONNECTION
Black	L	Red	Data + (+)
White	N	Orange	Data - (-)
Green/Yellow	⊕	/	Data 0V (0)

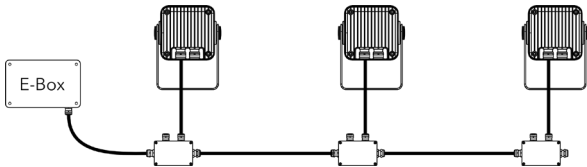


Note: The last unplugged connector must be fitted with a Waterproof Cap to protect the IP rating.

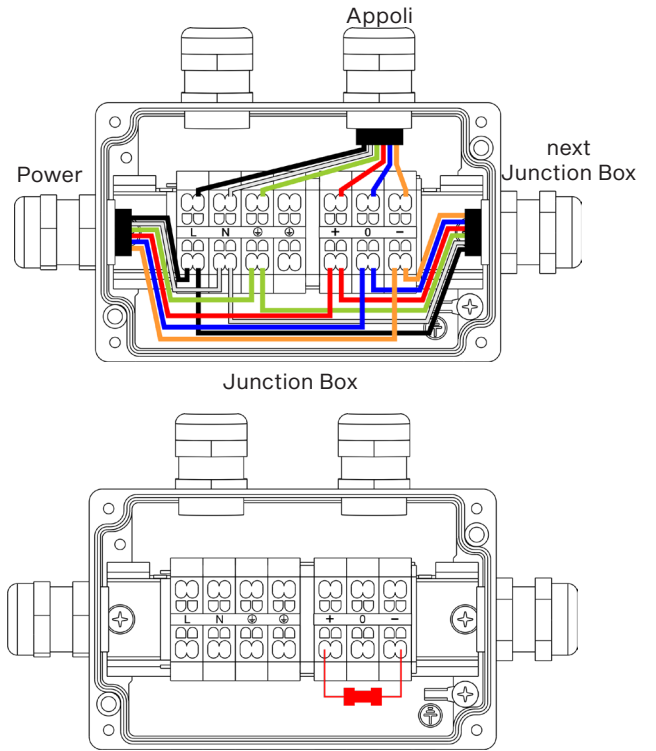
DMX or ETHERNET via E-Box

Connection – colour coding

WIRE	POWER CONNECTION	WIRE	DATA CONNECTION
Black	L	Red	Data + (+)
White	N	Orange	Data - (-)
Green/Yellow	⊕	Blue	Data 0V (0)



NOTE: DMX line of Appoli has to be terminated at the last fixture.
Connect a 120 Ohm resistor between terminals + and - in the junction box at fixture.
Ensure ONLY the last fixture in the line is terminated .
If connected to E-box Star, the last fixture on each line needs to be terminated.

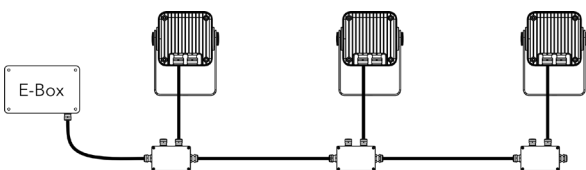


**APPOLI S CONNECTION - US
(JUNCTION BOX IS NOT PART OF THE PACKAGE)**

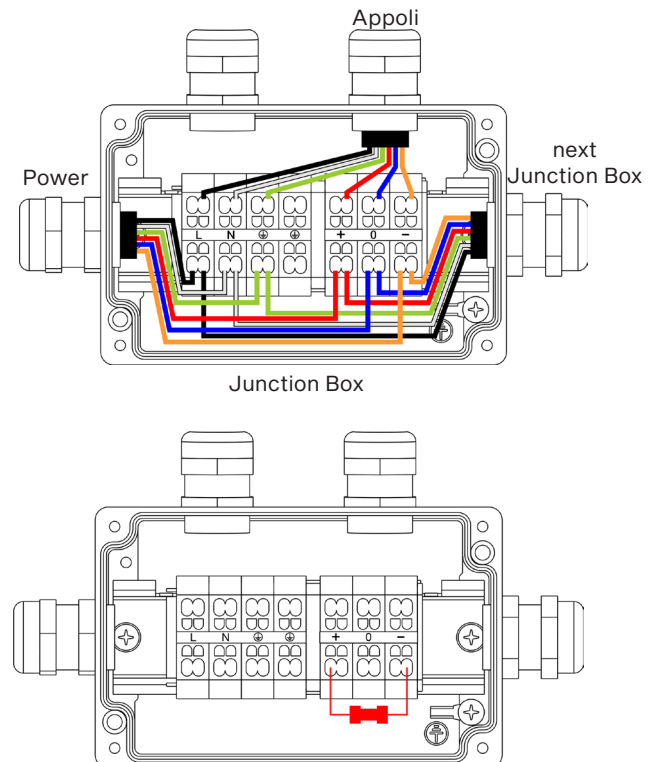
DMX or ETHERNET via E-Box

Connection – colour coding

WIRE	POWER CONNECTION	WIRE	DATA CONNECTION
Black	L	Red	Data + (+)
White	N	Orange	Data - (-)
Green/Yellow	⊕	Blue	Data 0V (0)



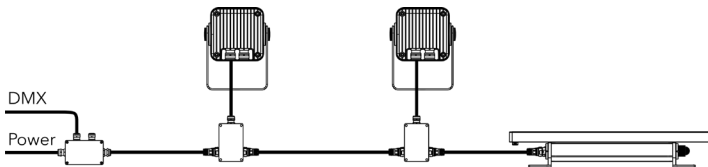
NOTE: DMX line of Appoli has to be terminated at the last fixture.
Connect a 120 Ohm resistor between terminals + and - in the junction box at fixture.
Ensure ONLY the last fixture in the line is terminated .
If connected to E-box Star, the last fixture on each line needs to be terminated.



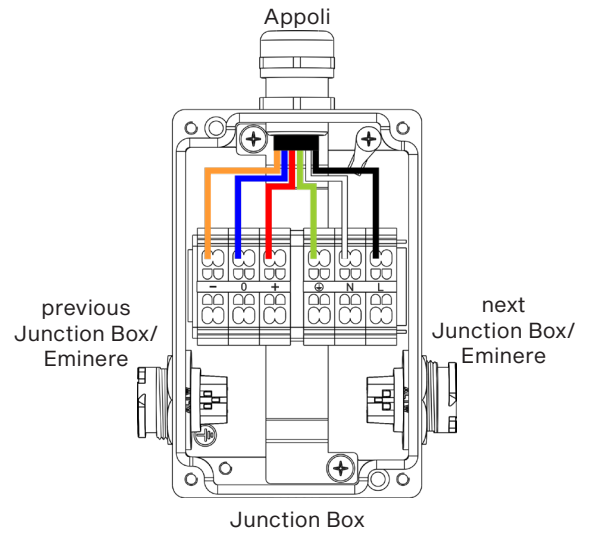
DMX WITH JUNCTION BOX FOR APPOLI S, CALUMMA S-XL / EMINERE

Cable Connection – US colour coding

WIRE	POWER CONNECTION	WIRE	DATA CONNECTION
Black	L	Red	Data + (+)
White	N	Orange	Data - (-)
Green	⊕	Blue	Data 0V (0)



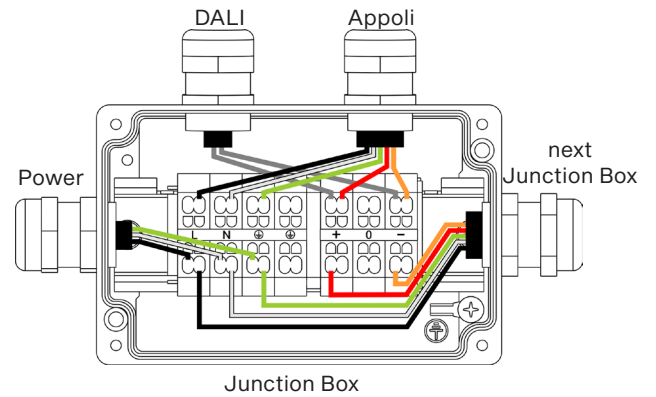
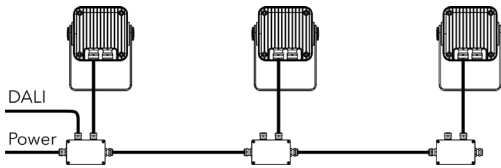
Note: The last unplugged connector must be fitted with a Waterproof Cap to protect the IP rating.



DALI

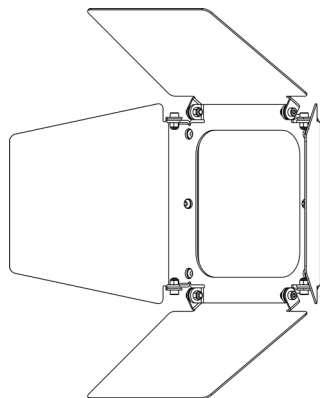
Connection – colour coding

WIRE	POWER CONNECTION	WIRE	DATA CONNECTION
Black	L	Red	Data + (+)
White	N	Orange	Data - (-)
Green/Yellow	⊕	/	Data 0V (0)

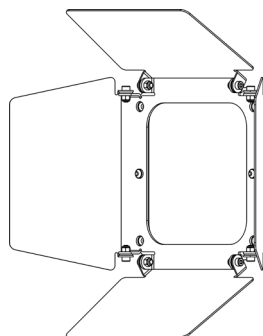


STEP 3
INSTALLATION OF ACCESSORIES

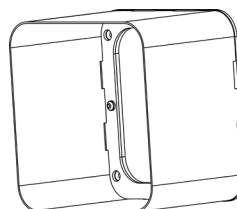
BARNDOOR LONG



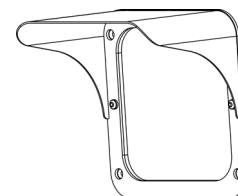
BARNDOOR SHORT



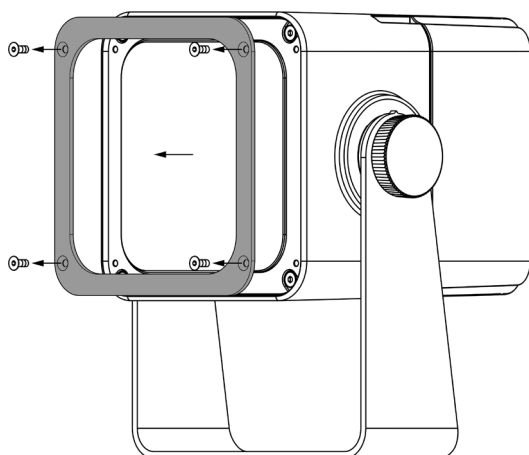
TOP HAT



HALF TOP HAT

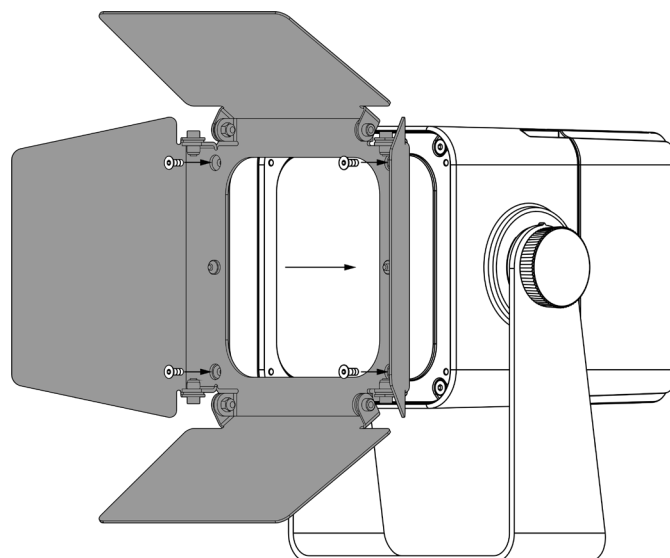


1



Unscrew the four screws and remove the cover plate.

2



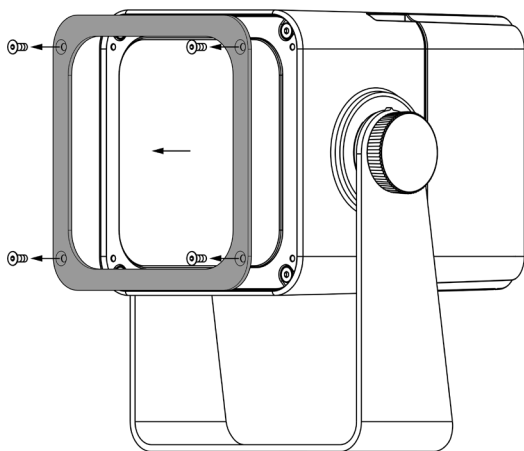
Place the accessories on the Luminaire and secure with the four screws.

NOTE:

Same installation for BARNDOOR LONG, BARNDOOR SHORT, TOP HAT, HALF TOP HAT

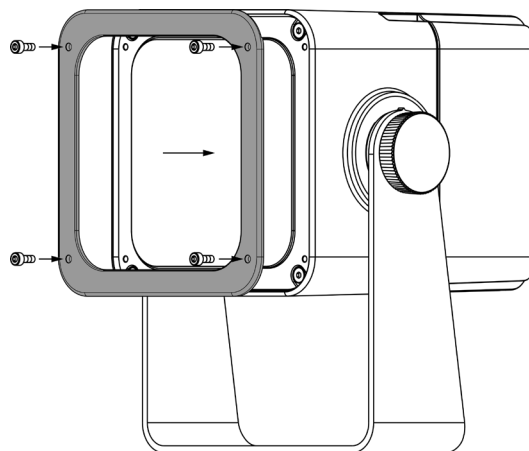
Optical Demo Set

1



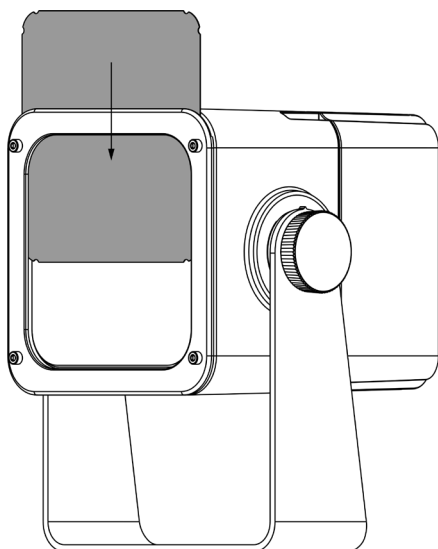
Unscrew the four screws and remove the cover plate.

2



Place the accessories on the Luminaire and secure with the four screws.

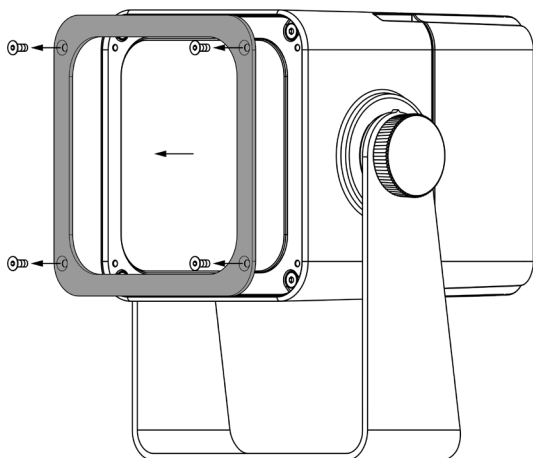
3



Insert the optical foil into the holder.

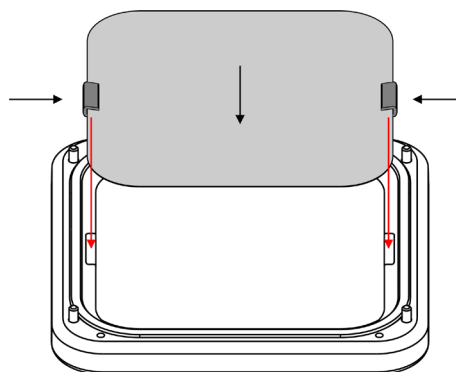
Optical Foil Holder

1



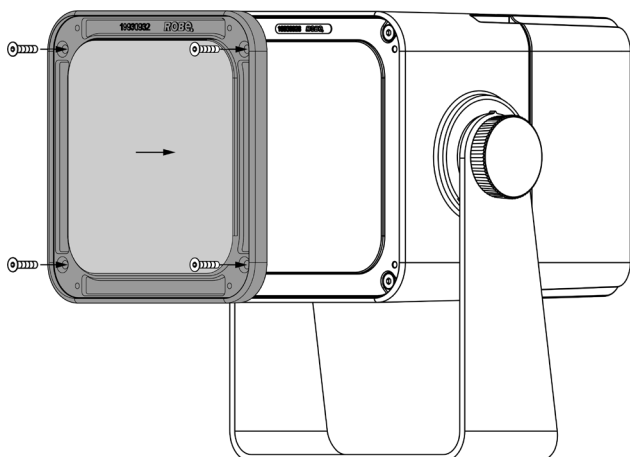
Unscrew the four screws and remove the cover plate.

2



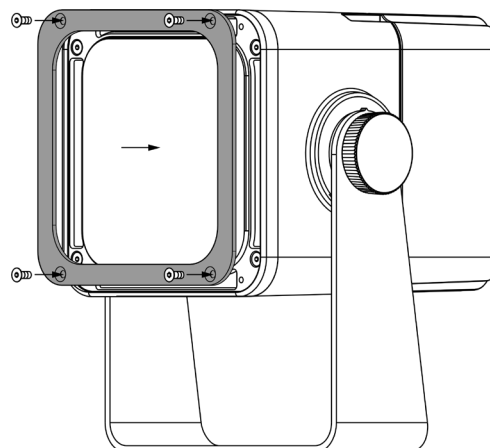
Insert the rubber U profiles onto the optical foil and insert into the accessories.

3



Place the accessories on the Luminaire and secure with the four screws.

4



Turn the cover plate 90° and screw in with the four screws.