

QR code for Installations Instructions



Fixture must be installed by a qualified electrician in accordance with all national and local electrical and construction codes and regulations. This device falls under class one and must be grounded!

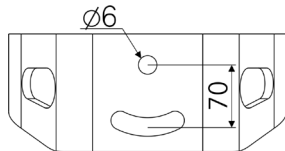


STEP 1
CALUMMA INSTALLATION USING YOKE

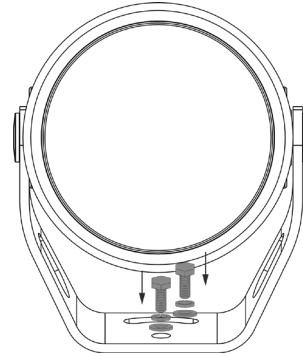
1



Use fasteners that are appropriate for use with your mounting surface



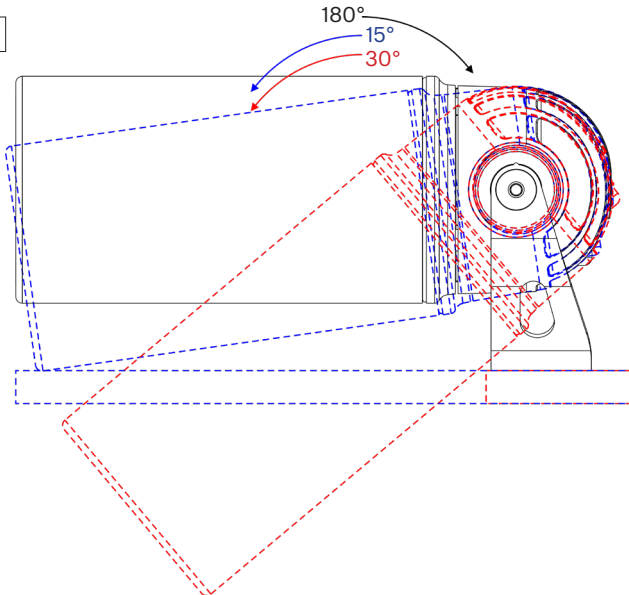
2



Fasten the Yoke of the fixture to the surface by two washers, spring washers and screws.

Drill the holes two into the surface according the given dimensions.

3



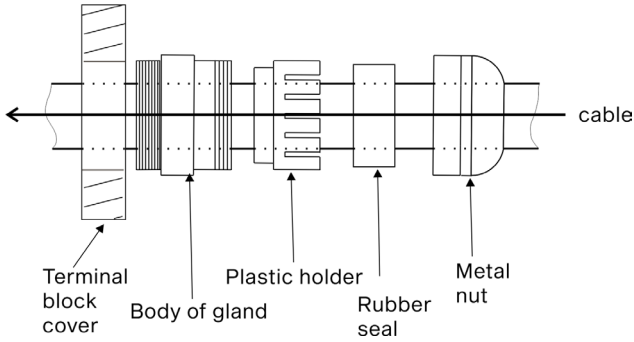
Use an Allen key to release tilting lock on each side of luminaire and adjust tilt of LED module in range of +180°/-180°.

**STEP 2
CABLE GLAND INSTALLATION**

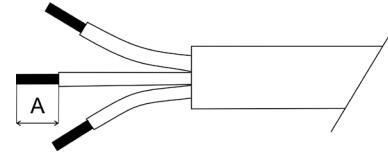
Slip the cable through the gland according to the picture below and do not assemble the gland yet.

Use wrench size 22 for cable gland M20x1.5
Use wrench size 16 for cable gland M12x1.5

Install Cable glands individually!

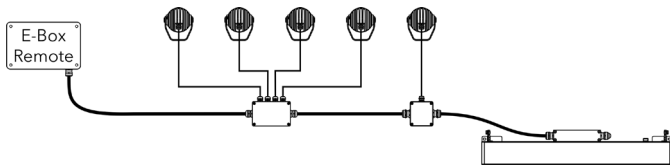


Strip these lengths for cable connections.



A	
Power Connection	9mm
Data Connection	9mm

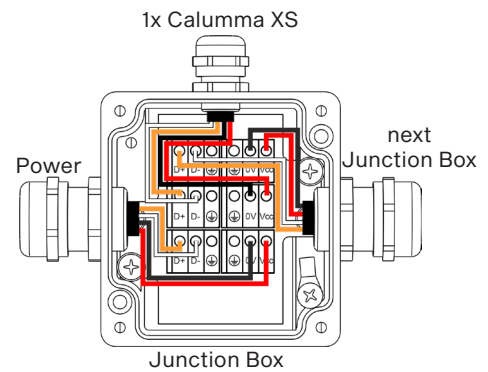
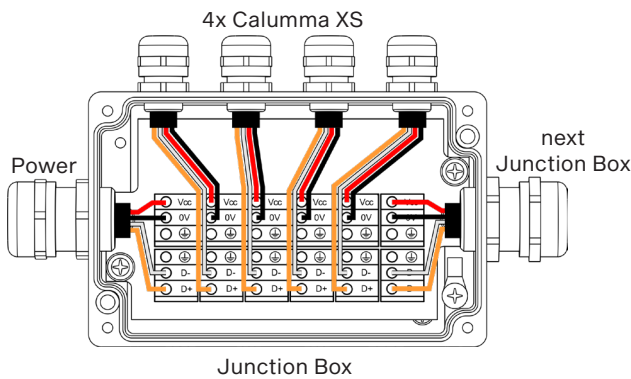
**STEP 3
CALUMMA CONNECTION
(JUNCTION BOX IS NOT PART OF THE PACKAGE)**



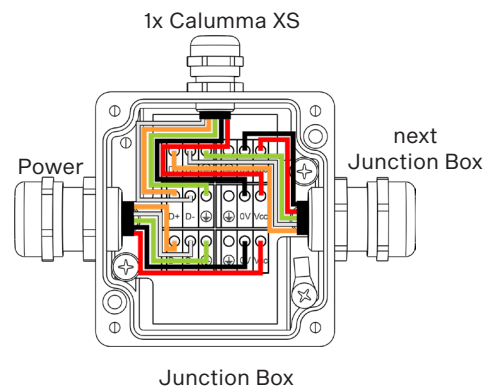
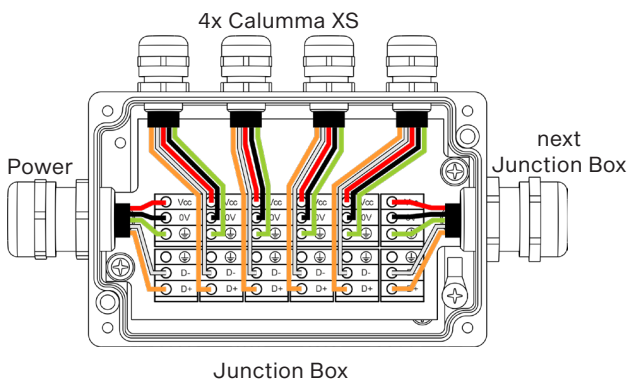
Connection – colour coding

WIRE	POWER CE	POWER US	WIRE	DATA CE	DATA US
Red	Vcc	Vcc	Orange	Data + (+)	Data + (+)
Black	0V	0V	White	Data - (-)	Data - (-)
Green/Yellow	/	⊕	/	/	/

CE color code shown

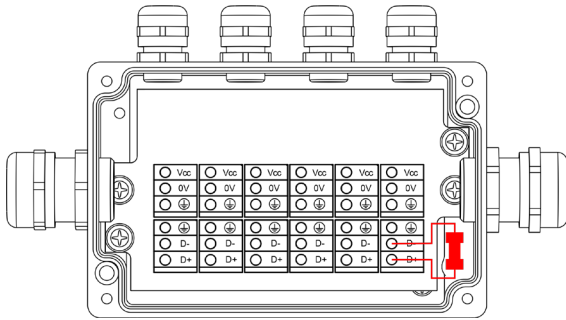


US color code shown

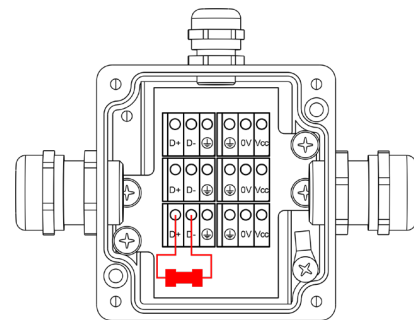


DMX connection

NOTE: Each DMX line of Calummas XS connected to the LED output of the E-box Remote has to be terminated at the last fixture. Connect a 120 Ohm resistor between terminals D+ and D- in the last fixture.

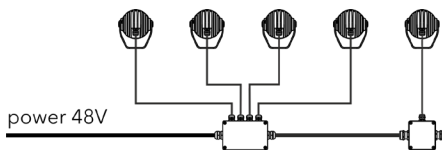


Junction Box



Junction Box

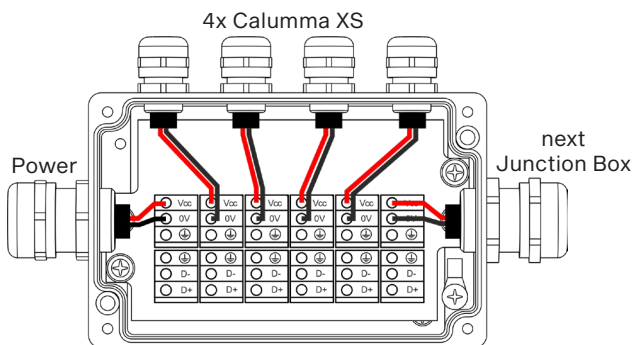
Power ON/OFF (only for Calumma SC)



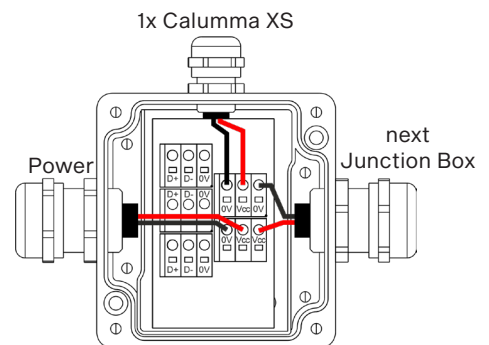
Connection – colour coding

WIRE	POWER CE	POWER US
Red	Vcc	Vcc
Black	0V	0V
Green/Yellow	/	⊕

CE color code shown

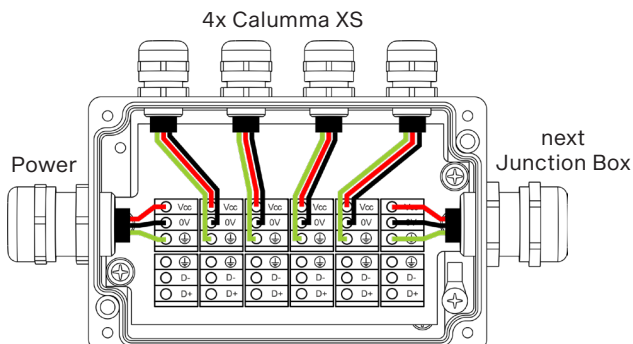


Junction Box

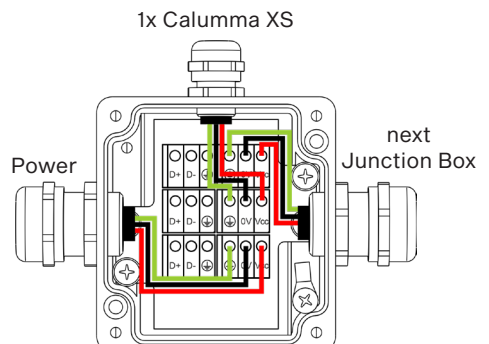


Junction Box

US color code shown



Junction Box



Junction Box

**STEP 4
CABLE GLAND INSTALLATION**

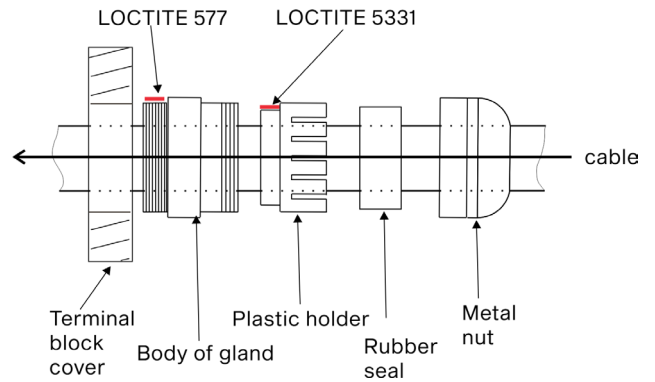
Assemble the cable gland according to the picture.

Use wrench size 22 for cable gland M20x1.5
Use wrench size 16 for cable gland M12x1.5

Install Cable glands individually!

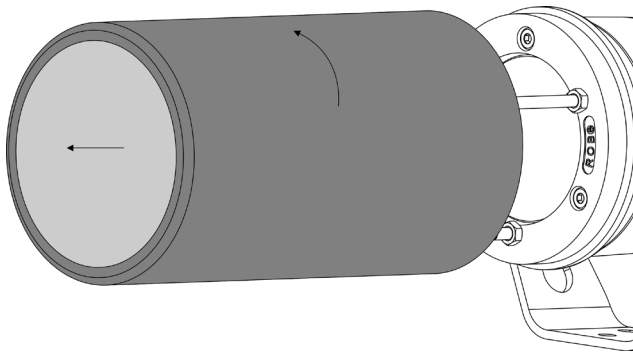
We recommend to apply an adequate layer of the paste LOCTITE 5331 on the plastic holder of the cable gland before inserting in into the body of the gland and an adequate layer of the paste LOCTITE 577 on the thread of the gland body.

Failure to properly install cable glands will result in failure of the water tight seal!



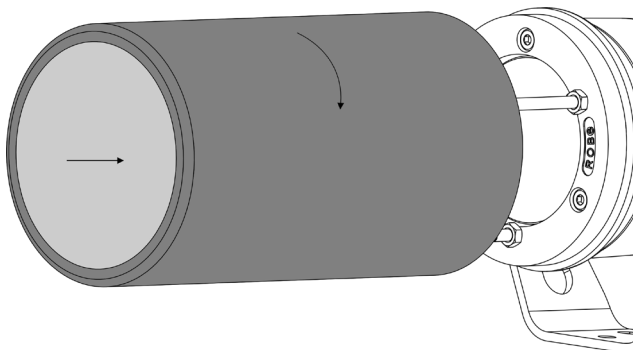
**STEP 5
GLASS HOLDER INSTALLATION**

1



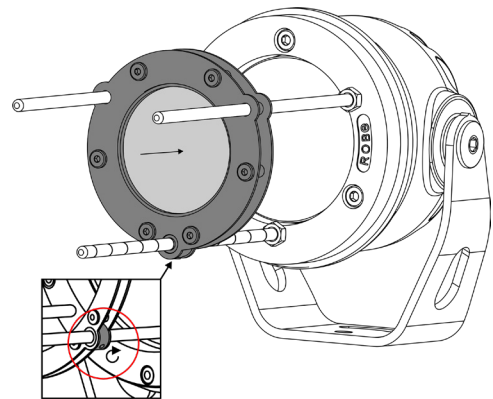
Remove the optics cover as shown in the picture.

3



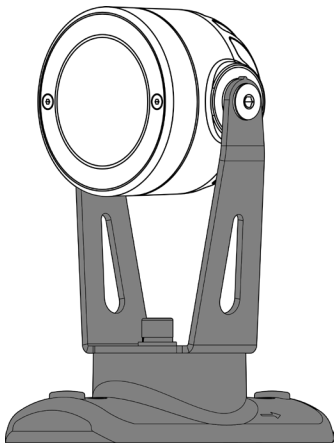
Mount the optics cover as shown in the picture.

2



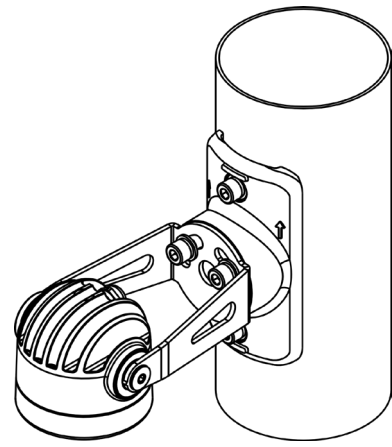
Place the glass holder with glass on the four rods and adjust to the desired distance.

STEP 6
INSTALLATION OF ACCESSORIES



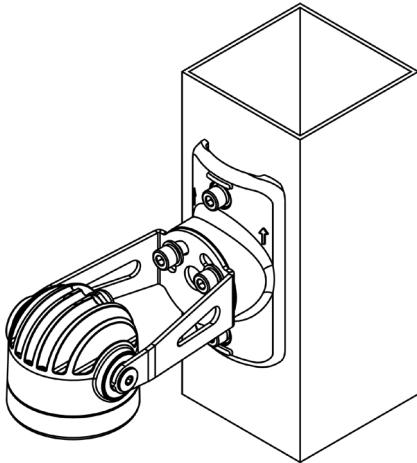
POLE ADAPTOR

A



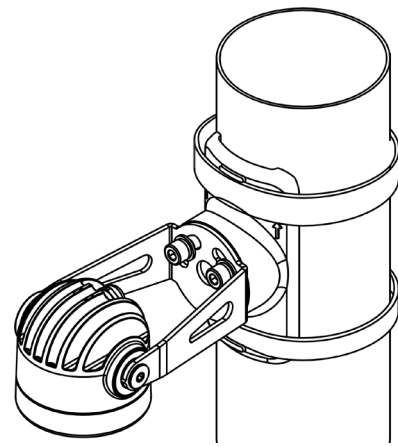
Installations on POLE(diameter 76-116mm) with two screws.

B



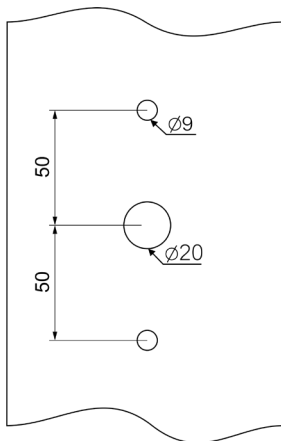
Installation on FLAT POLE with two screws.

C



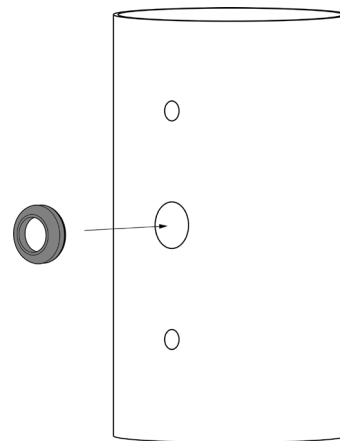
Installation on POLE (diameter 76-116mm) with zip ties.
Maximum width zip ties is 20mm (not included packing).

A1



Drill three holes into the surface according the given dimensions.

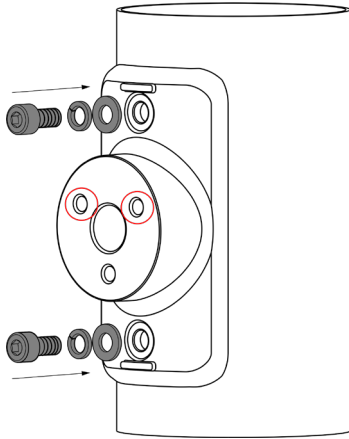
A2



Insert the cable gland into the middle hole.

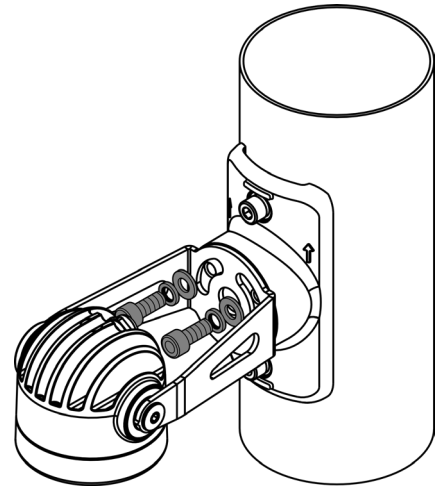
A3

! Pole Adaptor must be installed with two holes up !



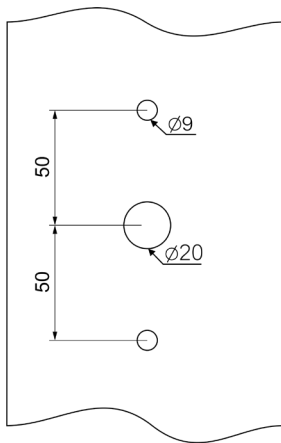
Fasten the Pole Adaptor on the surface by two screws, spring washers and washers.

A4



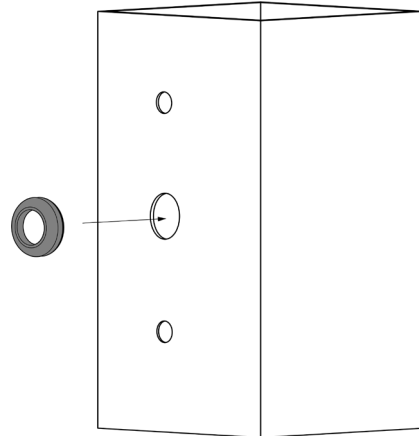
Fasten the Luminaire on the Pole Adaptor by three screws, spring washers and washers.

B1



Drill three holes into the surface according the given dimensions.

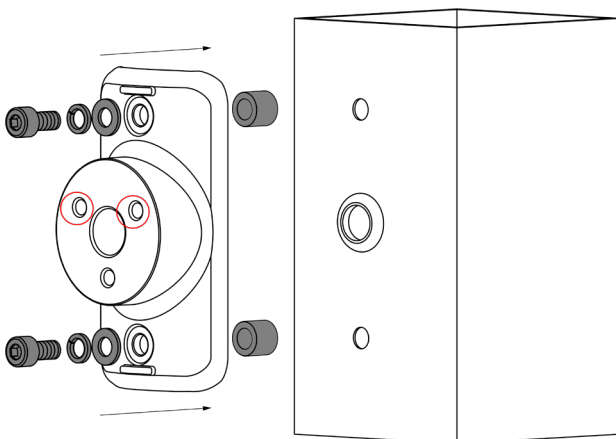
B2



Insert the cable gland into the middle hole.

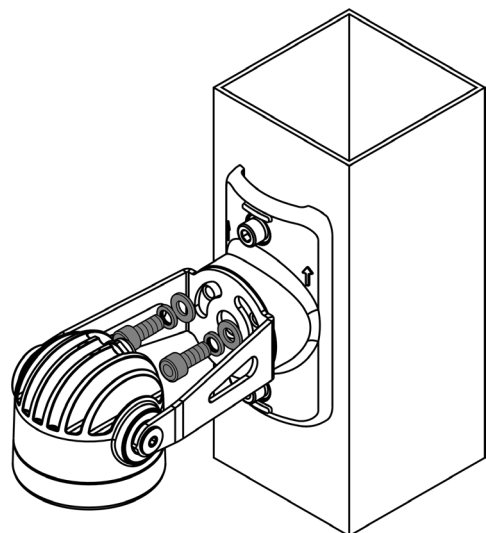
B3

! Pole Adaptor must be installed with two holes up !

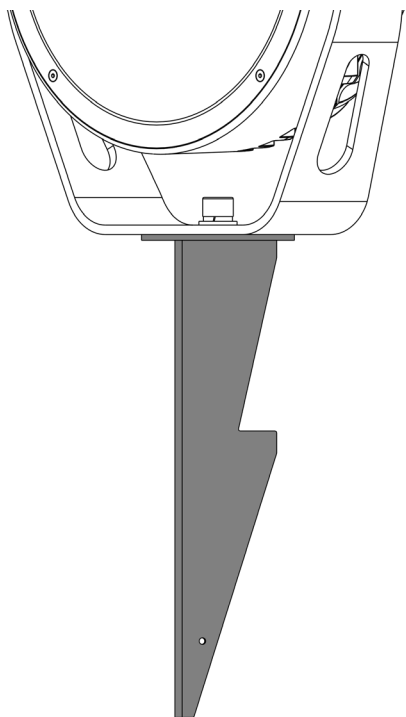


Fasten the Pole Adaptor on the surface by two screws, spring washers, washers and spacers.

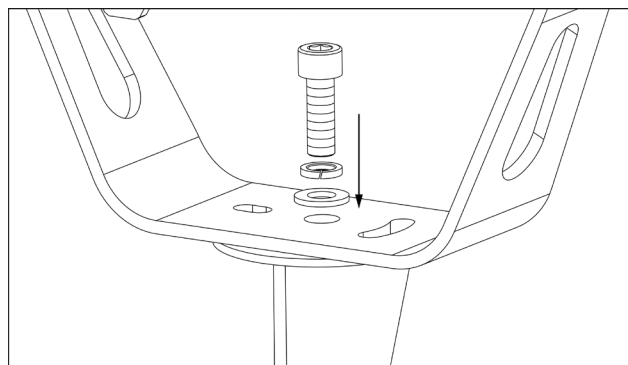
B4



Fasten the Luminaire on the Pole Adaptor by three screws, spring washers and washers.



LAND SPIKE



Place the luminaire on the Land Spike. The Luminaire fasten by one washer one flexible washer and one screw according to the picture.