

# CALUMMA™ XS MC

Using a single high-power, multi-chip LED inside a compact, elegant, and durable housing, the smallest Calumma is a great choice for many different lighting applications. Complementing both outdoor environments and interior designs, its wide range of beam angles, LED chip colour variant options and accessories make the Calumma XS MC an ideal, extra small lighting solution for any architectural design.



## KEY FEATURES

### Lumen output & Light source

Luminaire with one high-power, multi-chip LED provides light output up to 333 lumens with an efficacy of 33 lm/w. Offering a choice of multiple LED colour variants, precise beam control with no light spill, and perfectly homogenised light output, it's an excellent solution for applications requiring high performance in a compact luminaire.

### Design & Durability

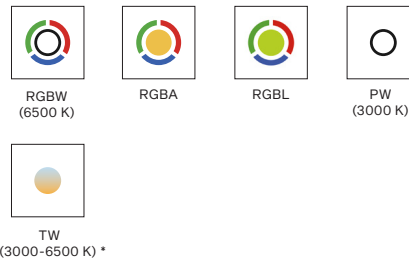
Lightweight, compact, durable and stylish housing made of high-pressure die cast aluminium. IP67 and IK10 certification; suitable for marine applications (Harsh Environment Finish required) and traffic applications. Supported with a 5 year warranty.

### Flexibility

An exceptionally compact luminaire available with a wide range of accessories, custom colour finishes, LED choices, and beam angle options, Calumma XS offers the lighting designer a flexible solution for the most demanding applications.

## COLOURS

\* UPON REQUEST



## CONTROL & PROTOCOLS



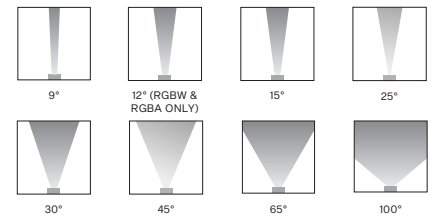
## FINISH OPTIONS

\* CLOSEST RAL TONE  
\* HE = Harsh Environment

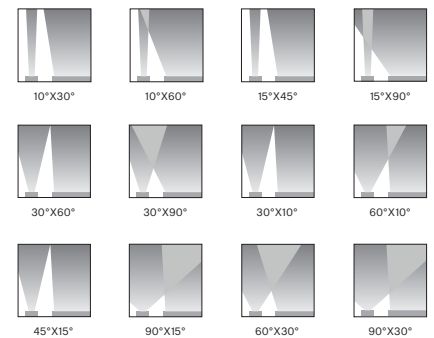


## OPTIC OPTIONS

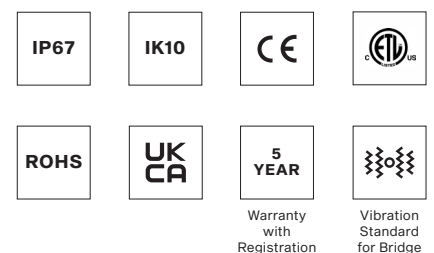
### SYMMETRICAL



### BI-SYMMETRICAL



## STANDARD & SPECIFICATION



**SPECIFICATION**

<b>ELECTRICAL</b>	Typical Power Consumption	10 W		
	Input Voltage	48 V		
<b>OPTICAL</b>	Light Source	High Power Multichip LED		
	Colour Variants	RGBW (W - 6500 K)   RGBA   RGBL   Pure White (W - 3000 K) <b>On Request:</b> Tuneable White (3000–6500 K)		
	Beam Angle	9°   12° (RGBW & RGBA only)   15°   25°   30°   45°   65°   100°		
		10°x30°   30°x10°   10°x60°   60°x10°   15°x45°   45°x15° 15°x90°   90°x15°   30°x60°   60°x30°   30°x90°   90°x30°		
	Lumen Output Delivered	333 lm (@9°RGBW)		
	Projected Lumen Maintenance	L90B10 >90.000 hrs, Ta = 25°C / 77°F		
<b>CONTROL</b>	Interface protocol	Via E-box Remote or E-box Remote Basic		
	E-Box Remote control protocol	USITT DMX512/RDM, ArtNet, MA Net, MA Net2, sACN, Kling-Net		
	Setting / addressing	E-box Remote, RDM communicator		
	Connectivity & Power Supply	E-Box Remote   Remote Basic		
<b>PHYSICAL</b>	Width x Height x Depth	94 x 108 x 76 mm (3.7 x 4.2 x 2.99 in.)		
	Weight	0.59 kg   1.3 lbs		
	Housing	High Pressure Die-Cast Aluminium Body   Tempered Glass		
	Finish Options	Standard Colour	Graphite Black RAL 9011   Grey Aluminium RAL 9007 Pure White RAL 9010   Sandstone RAL 1014	
		Standard Colour Harsh Environment	Graphite Black RAL 9011   Grey Aluminium RAL 9007 Pure White RAL 9010   Sandstone RAL 1014	
		Cost Option	Custom RAL	
	Cabels / Connectivity	<b>IN (for DMX, DALI):</b> - 1 m cable with bare end - Other cable length - custom - Junction box - optional	<b>IN (for E-Box Version):</b> - Cable (5x20 AWG) 0.5m, with Connector MM	
	Mounting Method	Yoke or Yoke for Pole Adaptor		
	Adjustability	+180° / -180°		
	Protection Factor	IP67 (IP66 Junction Box) / Suitable For Wet Locations		
	IK Rating	IK10		
Cooling System	Convection			
Operating Ambient Temperature	-20°C / +50°C (-4°F / +122°F)			
<b>CERTIFICATION</b>	Listings	ETL / cETL, CE, RoHS, UKCA		
<b>ACCESSORIES</b>	Not Included Items	Optical Demo Set for Calumma XS (for demo purposes)		
		Outdoor Foil Holder for Calumma XS (for permanent installation)		
		Optical Foil Set for Outdoor Foil Holder Calumma XS		
		Re-enterable Electrical Insulating Resin		
		Land Spike for Calumma XS		
		Top Hat Calumma XS		
		Half Top Hat Calumma XS		
Twin Wall Cover Calumma XS				
Pole Adaptor (ø 102 mm) (Yoke for Pole Adaptor Required)				

	Junction Box Remote (1x Output) - (10980715)
	Junction Box Remote (4x Output) - (10980716)
<b>DMX BARE-END SOLUTION</b>	Cable SJTW 5x14 AWG (13053336), standard with bare-end, black - 1/3/5/10 m
	Cable SJTW 5x14 AWG (13053697), with bare-end, white (on request) - 1/3/5/10 m
	Cable UL 20969 (5x20 AWG), 1 m, (13053481), black
	Cable UL 20969 (5x20 AWG), 1 m, (13053696), white (on request)
<b>ACCESSORIES</b> Not Included Items	Leader CE Cable FF, 0.1 m, MINI-05 (13053978)
	Jumper Cable MM/FF CE AD-05 0.5 m   1 m   3 m   5 m
	T-connector MINI-05 MFF (13053941-01)
	T-connector MID-05 MFF (13054130)
	Waterproof Cap for M connector AD-05 (13053942)
	Waterproof Cap for F connector AD-05 (13053943)
	Cable SJTW 5x14 AWG (13053336), standard with bare-end, black - 1/3/5/10 m
	Cable SJTW 5x14 AWG (13053697), with bare-end, white (on request) - 1/3/5/10 m
	Cable 5x20 AWG, 0.5 m, with connector MINI-05 MM (13053935-03)
	Field Installable Connector MID-05 MM (14–22 AWG) - (13054126)
<b>DMX CONNECTOR SOLUTION</b>	Adaptor MINI2MID (13054150)
	Adaptor MID2MINI (13054149)

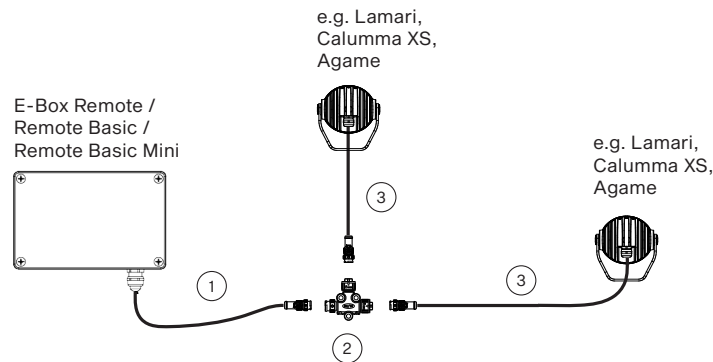
## CONTROL AND CONNECTION OPTIONS - CE

### DMX - CONNECTOR SOLUTION

#### A E-BOX REMOTE / REMOTE BASIC / REMOTE BASIC MINI

- 1) Leader CE Cable FF, 0.1 m, MINI-05 (13053978)
- 2) T-connector MINI-05 MFF (13053941-01)
- 3) Cable 5x20 AWG, 0.5 m, with connector MINI-05 MM (13053935-03)  
(Included only with Lamari. For all other luminaires, order separately.)

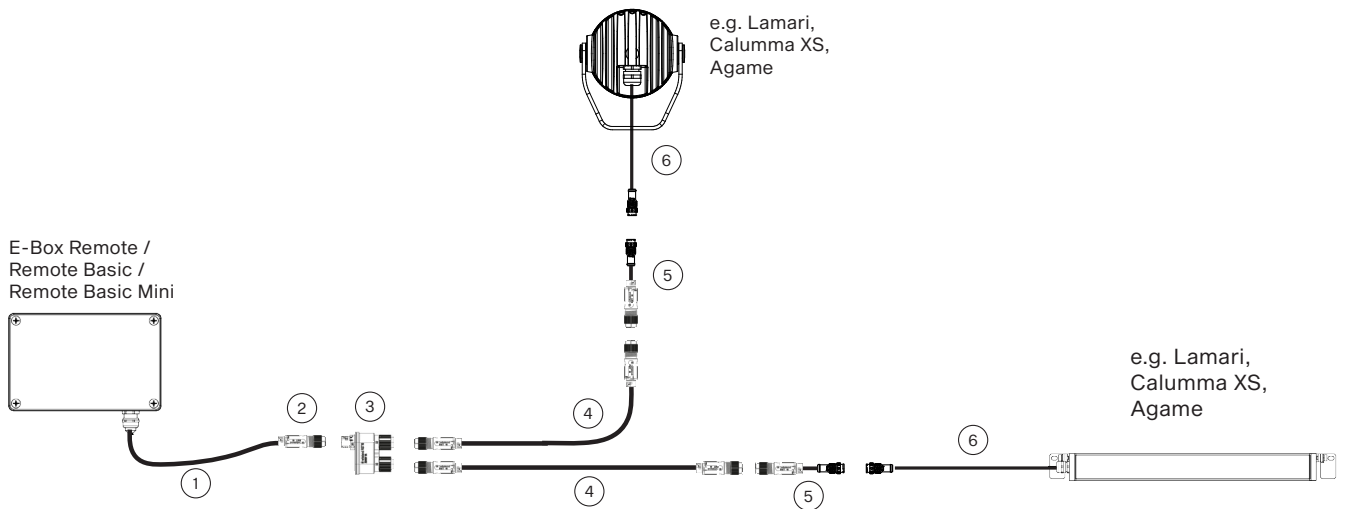
**Note: The last unmated connector must be fitted with an Waterproof Cap to protect the IP rating.**



**B E-BOX REMOTE / REMOTE BASIC / REMOTE BASIC MINI**

- 1) SJTW 5x14 AWG (13053336), standard with bare-end, black
- 2) Field Installable Connector MID-05 FF (14-22 AWG) - (13054127)
- 3) T-connector MID-05 MFF (13054130)
- 4) Jumper Cable CE/US MID-05 FF/MM (5x14 AWG), 0.5 m (13054131)
- 5) Adaptor MID2MINI (13054149)
- 6) Cable 5x20 AWG, 0.5 m, with connector MINI-05 MM (13053935-03)  
(Included only with Lamari. For all other luminaires, order separately.)

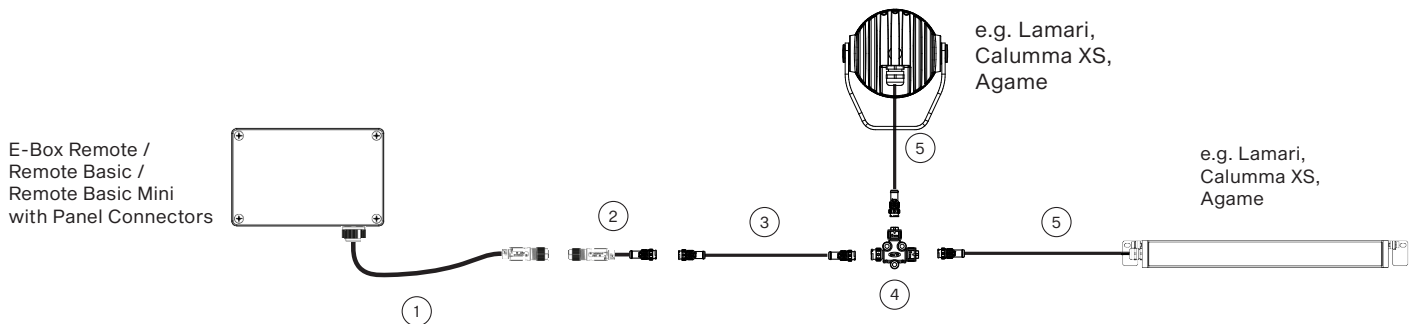
**Note: The last unmated connector must be fitted with a Waterproof Cap to protect the IP rating.**



**C E-BOX REMOTE / REMOTE BASIC / REMOTE BASIC MINI WITH PANEL CONNECTORS**

- 1) Jumper Cable CE/US MID-05 FF/MM (5x14 AWG), 0.5 m (13054131)
- 2) Adaptor MID2MINI (13054149)
- 3) Jumper Cable MINI-05 FF/MM (20 AWG), 0.5 m (13053937-02)
- 4) T-connector MINI-05 MFF (13053941-01)
- 5) Cable 5x20 AWG, 0.5 m, with connector MINI-05 MM (13053935-03)  
(Included only with Lamari. For all other luminaires, order separately.)

**Note: The last unmated connector must be fitted with a Waterproof Cap to protect the IP rating.**

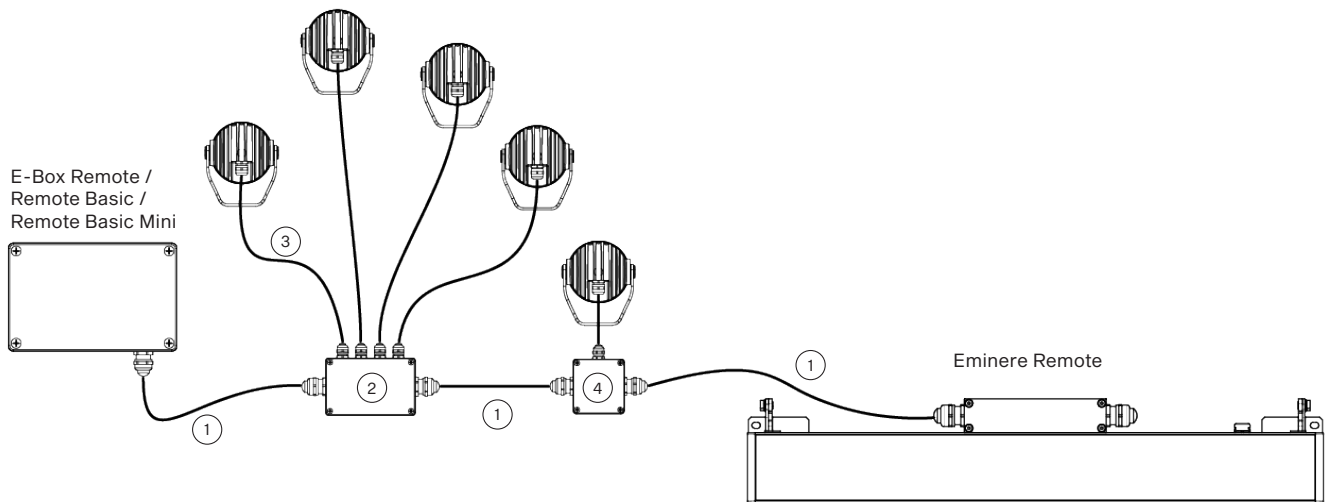


DMX - BARE-END SOLUTION

**A** DMX - BARE-END

- 1) SJTW 5x14 AWG (13053336), Standard 1 m with bare-end, black or on request Cable SJTW 5x14 AWG (13053697), with bare-end, white
- 2) Junction Box Remote (4x Output) - (10980716)
- 3) Cable UL 20969 5x20 AWG (13053481), black or on request Cable UL 20969 5x20 AWG (13053696), white
- 4) Junction Box Remote (1x Output) - (10980715)

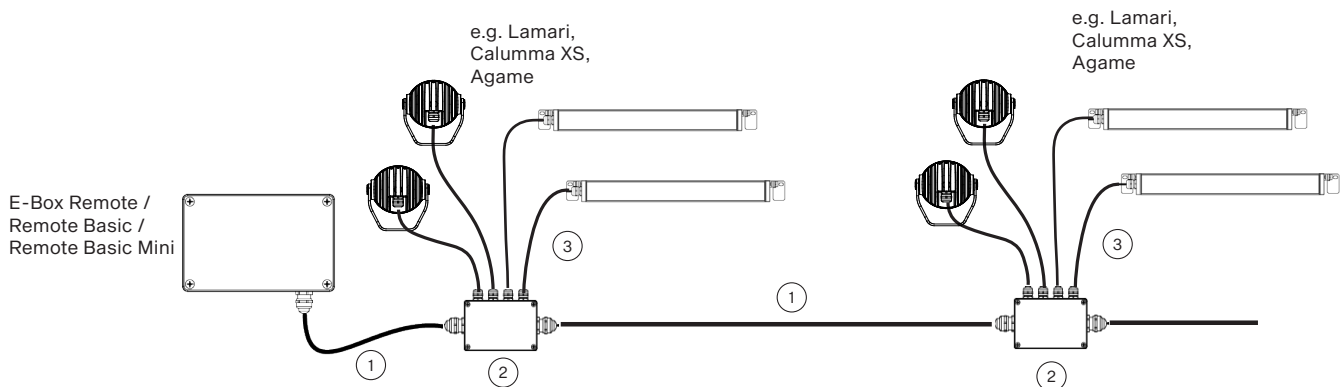
**Note: The last unmated connector must be fitted with an Waterproof Cap to protect the IP rating.**



**B** DMX - BARE-END

- 1) SJTW 5x14 AWG (13053336), standard with bare-end, black
- 2) Junction Box Remote (4x Output) - (10980716)
- 3) Cable UL 20969 (5x20 AWG), 1 m, (13053481), black

**Note: The last unmated connector must be fitted with an Waterproof Cap to protect the IP rating.**



## CONNECTIVITY

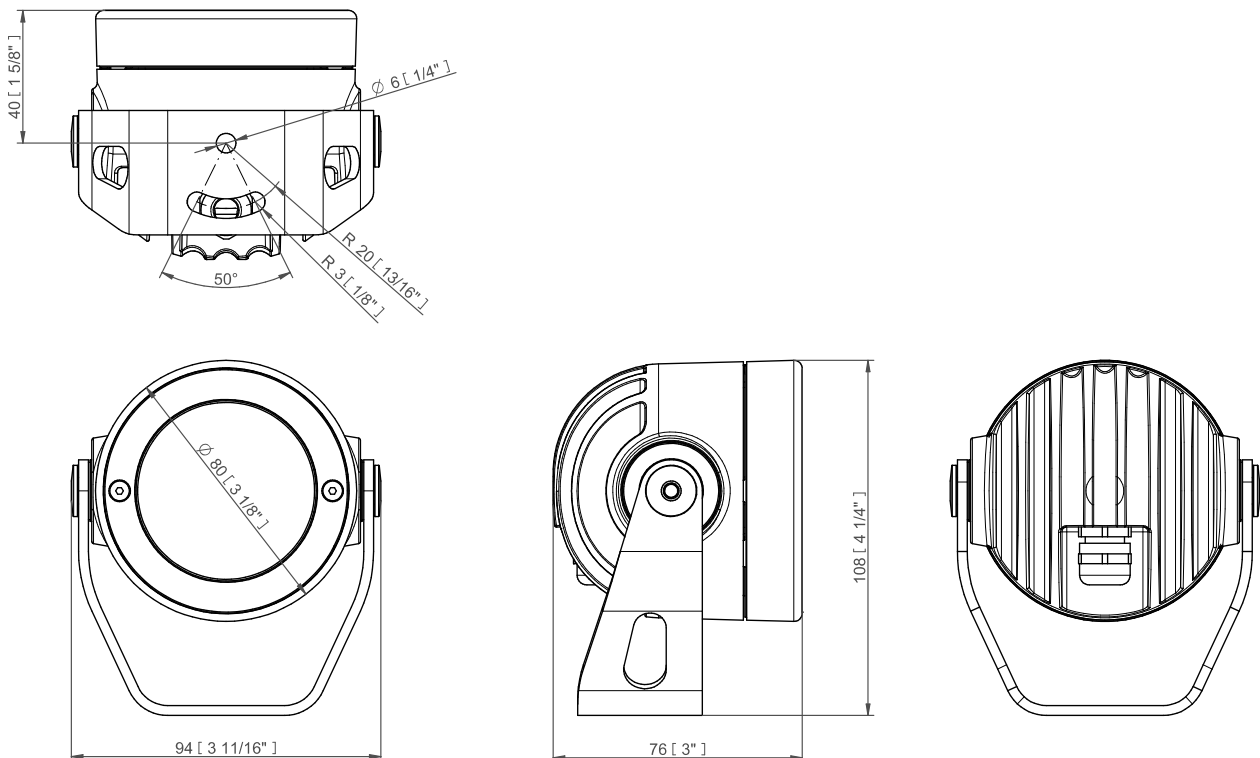
Following table shows maximum connected Calummas XS SC in a row with respect of cable length.

Cable length	Per E-Box Remote	Per 1 LED output
50 m (max per 1 output)	40 pcs	20 pcs
100 m (total length, 2x output)		20 pcs

## PROJECTED AREA

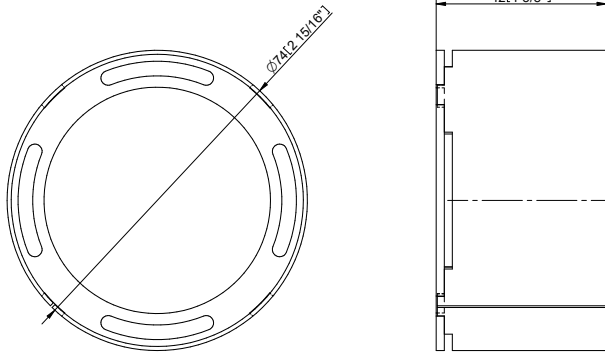
	Front (rear) - m <sup>2</sup>	Front (rear) ft <sup>2</sup>	Side - m <sup>2</sup>	Side - ft <sup>2</sup>	Top - m <sup>2</sup>	Top - ft <sup>2</sup>
Calumma XS	0.006	0.065	0.007	0.070	0.006	0.065
with Top Hat	0.006	0.065	0.014	0.151	0.014	0.151
with Half Top Hat	0.006	0.065	0.008	0.082	0.014	0.151

## DIMENSIONS

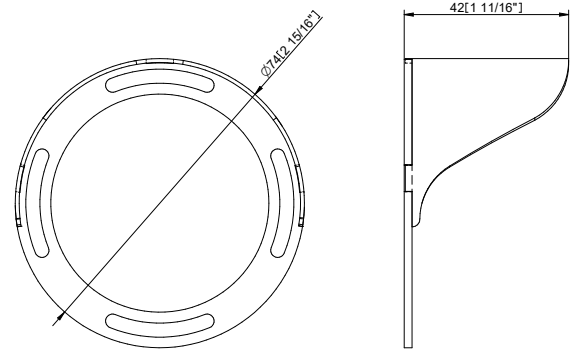


**ACCESSORIES**

**Top Hat**

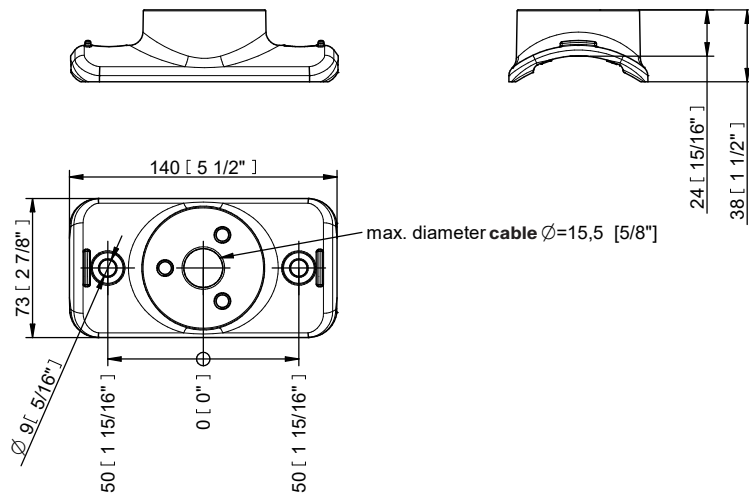


**Half Top Hat**

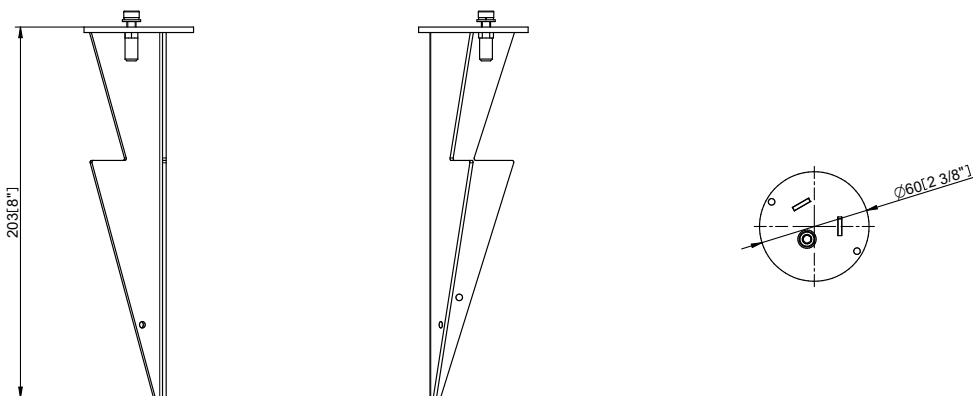


**Pole Adaptor** ( $\varnothing$  102 mm, Yoke for pole Adaptor Required / PA)

**Example of ordering code:** Calumma XS MC RBCW 15° PA



**Land Spike for Calumma XS**



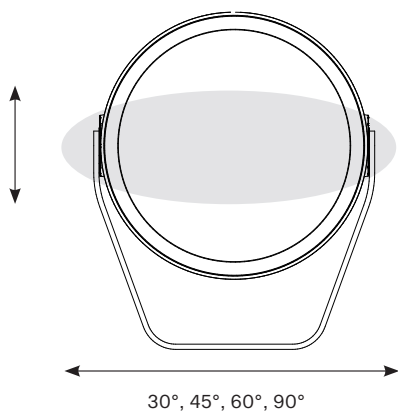
PHOTOMETRIC OVERVIEW

	Lumen Output (lm)		
	RGBCW (W 6500 K)	RGBA	WW (W 3000 K)
9°	333	285	283
12°	368	315	313
15°	283	243	241
25°	283	243	242
30°	278	238	237
45°	283	243	242
65°	283	243	242
100°	279	239	238
10° x 30°, 30° x 10°	267	229	228
10° x 60°, 60° x 10°	297	255	254
15° x 45°, 45° x 15°	303	259	258
30° x 60°, 60° x 30°	281	240	239
30° x 90°, 90° x 30°	302	258	257
15° x 90°, 90° x 15°	301	258	257

BI-SYMMETRICAL BEAM ANGLES

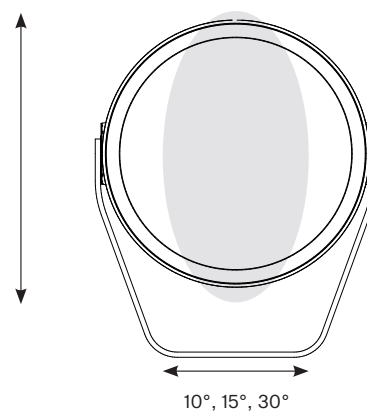
Bi-symmetrical:  
10°x30°,  
10°x60°,  
15°x45°,  
15°x90°,  
30°x60°,  
30°x90°

10°, 15°, 30°



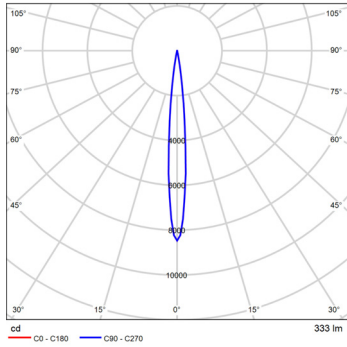
Bi-symmetrical:  
30°x10°,  
60°x10°,  
45°x15°,  
90°x15°,  
60°x30°,  
90°x30°

30°, 45°, 60°, 90°



PHOTOMETRIC DATA

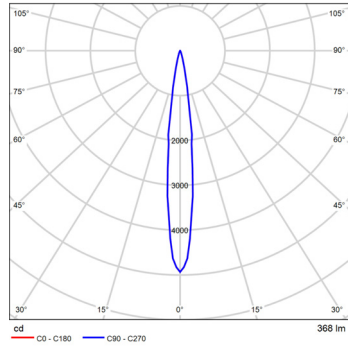
Calumma XS MC RGBW 6500K 9dg



Distance [m]	Cone diameter [m]	E(I <sup>0</sup> ) E(C0)	E(I <sup>0</sup> ) E(C0)
0.50	0.09	33876 5.0° 1846	
1.0	0.17	8469 5.0° 4212	
1.5	0.26	3764 5.0° 1872	
2.0	0.35	2117 5.0° 1053	
2.5	0.44	1358 5.0° 674	
3.0	0.52	941 5.0° 468	

Distance [m] Cone diameter [m] Illuminance [lx]  
— C0 - C180 (Beam angle: 10.0°)

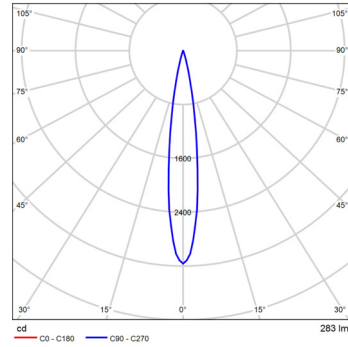
Calumma XS MC RGBW 6500K 12dg



Distance [m]	Cone diameter [m]	E(I <sup>0</sup> ) E(C0)	E(I <sup>0</sup> ) E(C0)
0.50	0.11	19730 6.3° 9748	
1.0	0.22	4933 6.3° 2437	
1.5	0.33	2192 6.3° 1083	
2.0	0.44	1233 6.3° 609	
2.5	0.55	789 6.3° 390	
3.0	0.66	548 6.3° 271	

Distance [m] Cone diameter [m] Illuminance [lx]  
— C0 - C180 (Beam angle: 12.8°)

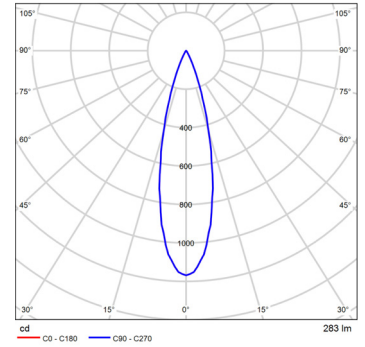
Calumma XS MC RGBW 6500K 15dg



Distance [m]	Cone diameter [m]	E(I <sup>0</sup> ) E(C0)	E(I <sup>0</sup> ) E(C0)
0.50	0.13	10657 7.6° 5165	
1.0	0.27	2664 7.6° 1341	
1.5	0.40	1406 7.6° 685	
2.0	0.53	791 7.6° 385	
2.5	0.67	508 7.6° 247	
3.0	0.80	352 7.6° 171	

Distance [m] Cone diameter [m] Illuminance [lx]  
— C0 - C180 (Beam angle: 15.2°)

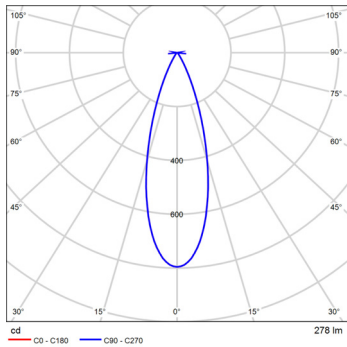
Calumma XS MC RGBW 6500K 25dg



Distance [m]	Cone diameter [m]	E(I <sup>0</sup> ) E(C0)	E(I <sup>0</sup> ) E(C0)
0.50	0.23	4873 13.0° 2172	
1.0	0.46	1168 13.0° 543	
1.5	0.69	519 13.0° 241	
2.0	0.92	292 13.0° 136	
2.5	1.2	187 13.0° 87	
3.0	1.4	130 13.0° 60	

Distance [m] Cone diameter [m] Illuminance [lx]  
— C0 - C180 (Beam angle: 26.0°)

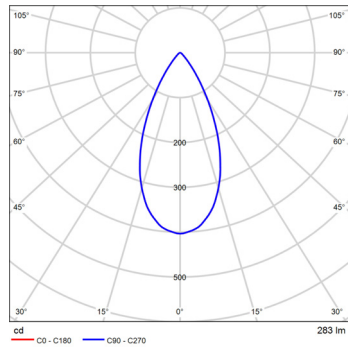
Calumma XS MC RGBW 6500K 30dg



Distance [m]	Cone diameter [m]	E(I <sup>0</sup> ) E(C0)	E(I <sup>0</sup> ) E(C0)
0.50	0.29	3183 16.0° 1428	
1.0	0.57	796 16.0° 356	
1.5	0.86	354 16.0° 158	
2.0	1.1	199 16.0° 89	
2.5	1.4	127 16.0° 57	
3.0	1.7	88 16.0° 40	

Distance [m] Cone diameter [m] Illuminance [lx]  
— C0 - C180 (Beam angle: 32.0°)

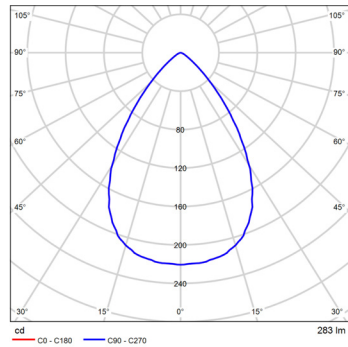
Calumma XS MC RGBW 6500K 45dg



Distance [m]	Cone diameter [m]	E(I <sup>0</sup> ) E(C0)	E(I <sup>0</sup> ) E(C0)
0.50	0.45	1613 24.4° 610	
1.0	0.91	403 24.4° 153	
1.5	1.4	179 24.4° 68	
2.0	1.8	101 24.4° 38	
2.5	2.3	65 24.4° 24	
3.0	2.7	45 24.4° 17	

Distance [m] Cone diameter [m] Illuminance [lx]  
— C0 - C180 (Beam angle: 45.8°)

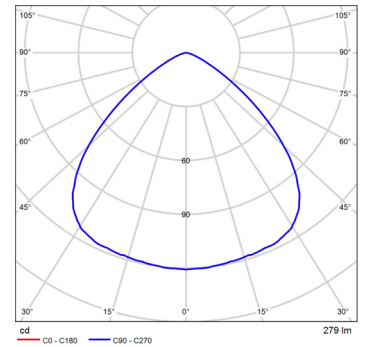
Calumma XS MC RGBW 6500K 65dg



Distance [m]	Cone diameter [m]	E(I <sup>0</sup> ) E(C0)	E(I <sup>0</sup> ) E(C0)
0.50	0.70	882 34.9° 245	
1.0	1.4	221 34.9° 61	
1.5	2.1	98 34.9° 27	
2.0	2.8	55 34.9° 15	
2.5	3.5	35 34.9° 9.8	
3.0	4.2	25 34.9° 6.8	

Distance [m] Cone diameter [m] Illuminance [lx]  
— C0 - C180 (Beam angle: 69.8°)

Calumma XS MC RGBW 6500K 100dg

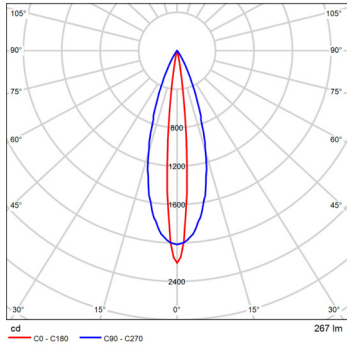


Distance [m]	Cone diameter [m]	E(I <sup>0</sup> ) E(C0)	E(I <sup>0</sup> ) E(C0)
0.50	1.2	483 49.7° 66	
1.0	2.4	121 49.7° 16	
1.5	3.5	54 49.7° 7.3	
2.0	4.7	38 49.7° 4.1	
2.5	5.9	19 49.7° 2.6	
3.0	7.1	13 49.7° 1.8	

Distance [m] Cone diameter [m] Illuminance [lx]  
— C0 - C180 (Beam angle: 99.4°)

PHOTOMETRIC DATA

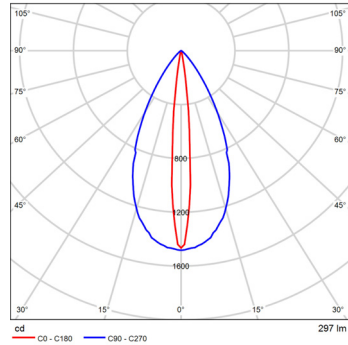
Calumma XS MC RGBW 6500K  
10x30dg



Distance [m]	Cone diameter [m]	Illuminance [lx]	E(0°)	E(C90)	E(C0)
0.50	0.35 0.09	8831	16.7°	3865	4494
1.0	0.69 0.18	2208	16.7°	890	1108
1.5	0.90 0.27	981	16.7°	396	493
2.0	1.2 0.36	552	16.7°	223	277
2.5	1.5 0.46	353	16.7°	142	177
3.0	1.8 0.55	245	16.7°	99	123

Distance [m]    Cone diameter [m]    Illuminance [lx]  
 C0 - C180 (Beam angle: 10.4°)    C90 - C270 (Beam angle: 33.4°)

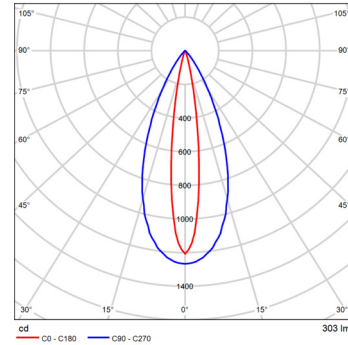
Calumma XS MC RGBW 6500K  
10x60dg



Distance [m]	Cone diameter [m]	Illuminance [lx]	E(0°)	E(C90)	E(C0)
0.50	0.50 0.17	5862	28.3°	2146	2330
1.0	0.99 0.35	1466	28.3°	536	582
1.5	1.5 0.52	691	28.3°	238	258
2.0	2.0 0.70	366	28.3°	134	143
2.5	2.5 0.88	234	28.3°	86	91
3.0	3.0 1.06	163	28.3°	60	64

Distance [m]    Cone diameter [m]    Illuminance [lx]  
 C0 - C180 (Beam angle: 10.0°)    C90 - C270 (Beam angle: 32.6°)

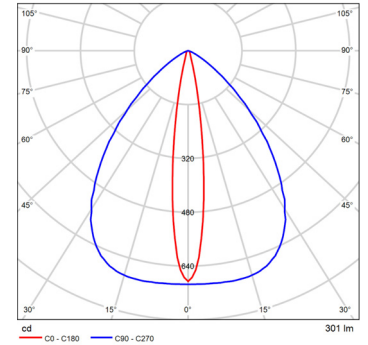
Calumma XS MC RGBW 6500K  
15x45dg



Distance [m]	Cone diameter [m]	Illuminance [lx]	E(0°)	E(C90)	E(C0)
0.50	0.45 0.14	4629	22.0°	2021	2354
1.0	0.91 0.27	1207	22.0°	508	589
1.5	1.2 0.41	537	22.0°	226	262
2.0	1.6 0.54	302	22.0°	127	147
2.5	2.0 0.68	193	22.0°	81	94
3.0	2.4 0.81	134	22.0°	56	65

Distance [m]    Cone diameter [m]    Illuminance [lx]  
 C0 - C180 (Beam angle: 15.4°)    C90 - C270 (Beam angle: 44.0°)

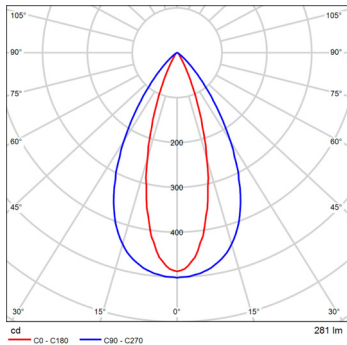
Calumma XS MC RGBW 6500K  
15x90dg



Distance [m]	Cone diameter [m]	Illuminance [lx]	E(0°)	E(C90)	E(C0)
0.50	0.38 0.13	2742	41.3°	383	1301
1.0	0.76 0.27	686	41.3°	148	338
1.5	1.14 0.40	305	41.3°	66	150
2.0	1.52 0.53	171	41.3°	37	84
2.5	1.90 0.67	110	41.3°	24	54
3.0	2.28 0.80	76	41.3°	16	38

Distance [m]    Cone diameter [m]    Illuminance [lx]  
 C0 - C180 (Beam angle: 15.2°)    C90 - C270 (Beam angle: 82.6°)

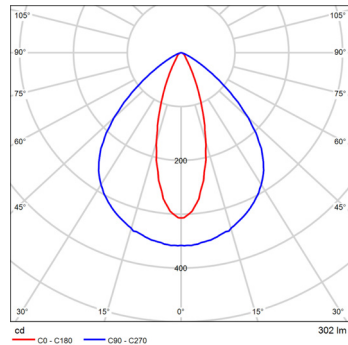
Calumma XS MC RGBW 6500K  
30x60dg



Distance [m]	Cone diameter [m]	Illuminance [lx]	E(0°)	E(C90)	E(C0)
0.50	0.58 0.28	1950	29.9°	655	871
1.0	1.2 0.56	488	29.9°	164	218
1.5	1.7 0.84	217	29.9°	73	97
2.0	2.3 1.1	122	29.9°	41	54
2.5	2.9 1.4	78	29.9°	26	35
3.0	3.5 1.7	54	29.9°	18	24

Distance [m]    Cone diameter [m]    Illuminance [lx]  
 C0 - C180 (Beam angle: 31.4°)    C90 - C270 (Beam angle: 59.8°)

Calumma XS MC RGBW 6500K  
30x90dg



Distance [m]	Cone diameter [m]	Illuminance [lx]	E(0°)	E(C90)	E(C0)
0.50	1.0 0.30	1227	45.3°	290	339
1.0	2.0 0.60	307	45.3°	63	135
1.5	3.0 0.91	136	45.3°	28	60
2.0	4.0 1.2	77	45.3°	16	34
2.5	5.1 1.5	49	45.3°	10	22
3.0	6.1 1.8	34	45.3°	6.9	15

Distance [m]    Cone diameter [m]    Illuminance [lx]  
 C0 - C180 (Beam angle: 15.0°)    C90 - C270 (Beam angle: 50.6°)